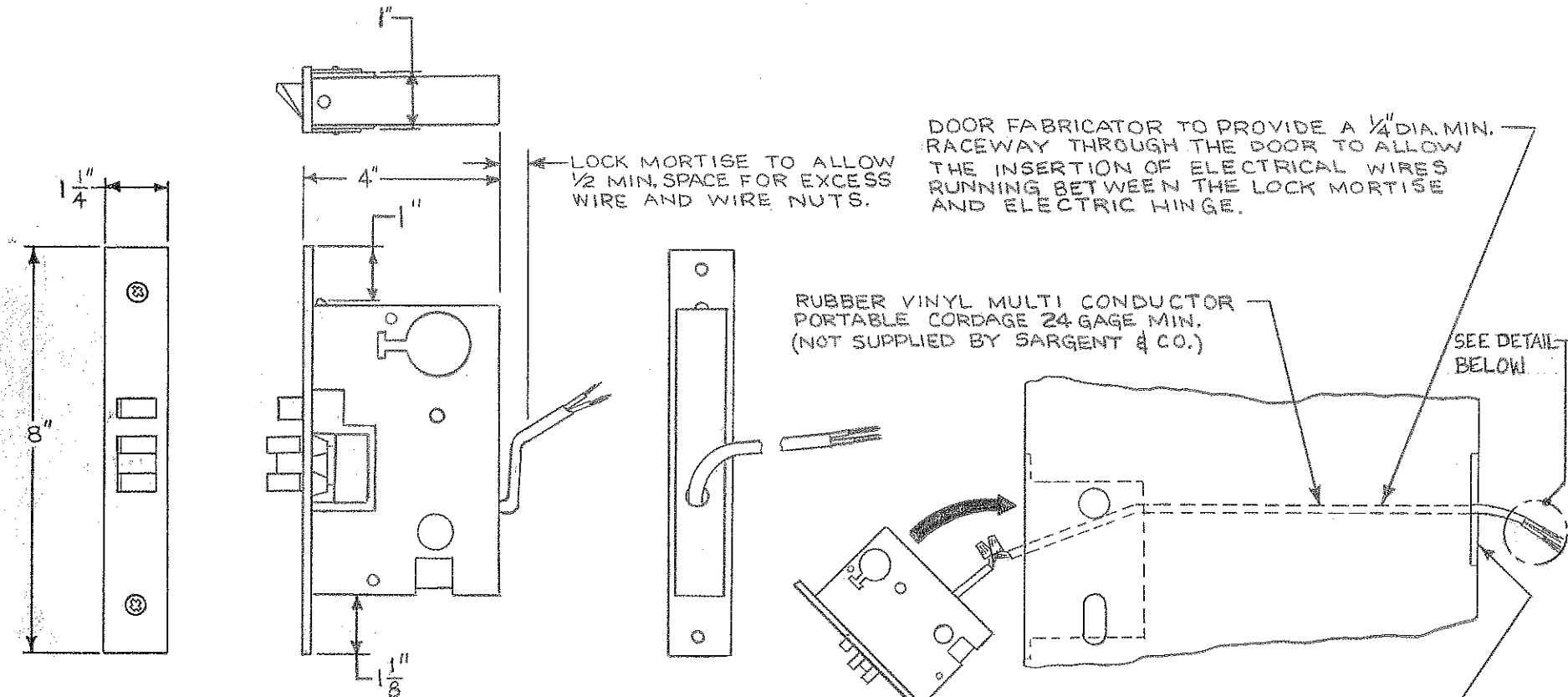
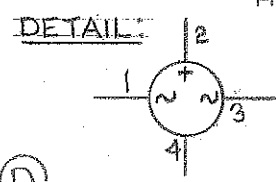


FUNCTIONS: 70 POWER ON LOCKS THE OUTSIDE THUMB PIECE.  
71 POWER ON UNLOCKS THE OUTSIDE THUMB PIECE.

OUTSIDE CYLINDER RETRACTS LATCH BOLT.



- ⑥ INSTALL RECTIFIER CLOSE TO POWER SUPPLY AND NOT IN DOOR. ALL CONNECTIONS SHOULD BE SOLDERED AND INSULATED. NOT TO EXCEED (5 LOCKS) PER RECTIFIER.
- ⑤ REFER TO EXIT DEVICE TRIM TEMPLATE FOR ADDITIONAL HOLE REQUIREMENTS.
- ④ FOR ADDITIONAL DETAILS FOR METAL DOOR PREPARATION FOR DOOR FABRICATOR SEE TEMPLATE Nos. 4011, 4016 OR 4224 FOR 90 SERIES EXIT DEVICE. 4290 OR 4310 FOR 60 & 80 SERIES EXIT DEVICE. ①
- ③ WIRE NUTS ARE SUPPLIED BY SARGENT & CO.
- ② ELECTRICAL RATING OF SOLENOID 24 VDC OR VAC 1/4 AMP. ⑤
- ① FOR ADDITIONAL DETAILS FOR WOOD DOOR PREPARATION SEE TEMPLATE Nos A-5567 L.H.R.B. AND A-5568 R.H.R.B. EXIT DEVICES. ① A6091(L.H.R.B.) AND A6092(R.H.R.B.) NARROW DESIGN EXIT DEVICES. ①



BRIDGE RECTIFIER  
1 & 3 TO AC SOURCE  
2 & 4 TO MORTISE LOCK  
WIRING (SEE NOTE 6)

SARGENT & COMPANY		NEW HAVEN 9, CONN.	
TEMPLATE: 60, 80 & 90 SERIES SOLENOID OPERATED MORTISE LOCK EXIT DEVICES.		RELEASE DATE: 13 NOV 91	
		TEMPLATE No. 4284E	