



CM-336 Series Battery Powered Touchless Switches



BATTERY
POWERED



LAZERPOINT RF™
WIRELESS

CM-336 APPLICATION

Battery Powered

Ideal for door activation where installing wiring is difficult or expensive, and for instant replacement of non-powered switches in retrofit applications.

These switches offer the longest alkaline battery life of any switch in the market, with the option for lithium batteries.

The SureWave™ family of touchless switches by Camden lead the industry in performance, quality and value - with a range of features unmatched by any other on the market.

CM-336 touchless switches offer the longest battery life, up to 100 activations per day for 4 years, with an option for even longer battery life using lithium batteries.

SureWave™ CM-336 wireless switches are compatible with Camden's Lazerpoint RF™ family of 915Mhz. spread spectrum wireless products.



SPECIFICATIONS

NO. OF IR SENSORS:	1
BATTERIES:	(2) 'AA' ALKALINE (SUPPLIED) (2) 'AA' LITHIUM BATTERIES (OPTIONAL)
ESTIMATED BATTERY LIFE:	4 YEARS (BASED ON 100 OPERATIONS/DAY)
LOW BATTERY ALARM:	YES
BATTERY TEST GAUGE:	YES
STANDARD OPERATING RANGE:	1" - 12" (25.4MM - 304MM)
OPERATING MODE:	MOMENTARY BUILT-IN 915MHZ. SPREAD SPECTRUM WIRELESS TRANSMITTER
INPUT:	REQUEST TO EXIT OR EXTERNAL (DOOR CONTACT)

MODELS

CM-336	Battery Operated Wireless Touchless Switch (receiver required)
---------------	--

OPTIONAL FACEPLATE MATERIAL (Supplied Black Polycarbonate Standard)

S	Stainless Steel Faceplate
----------	---------------------------

OPTIONAL BATTERIES (2) 'AA' ALKALINE SUPPLIED

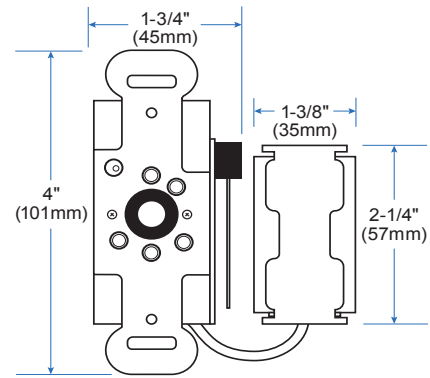
-L1	Add suffix '-L1' for (2) 'AA' Lithium Batteries in place of (2) Alkaline
------------	--

CM-LP1	(2) 'AA' Lithium Battery Pack
---------------	-------------------------------

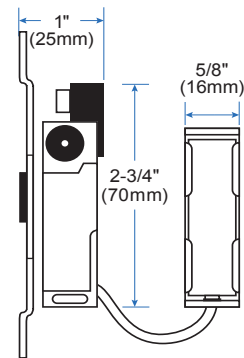
FACEPLATE SIZES (Supplied Single Gang Standard)

 <p>Single Gang Compatible surface mount box CM-34BL</p>	 <p>/N - Narrow 2-1/16" deep narrow jamb surface mount box CM-23DSER</p>
 <p>/W - Double Gang Compatible surface mounting box CM-43CBLA</p>	 <p>/R - 6" Round Stainless steel only. Indoor use only. Compatible surface box CM-69SER</p>

SWITCH DIMENSIONS



FRONT VIEW





SIDE VIEW

OPTIONAL FACEPLATE GRAPHICS (Supplied Blank Standard)



Add 'F' to graphic option for French language

OPTIONAL RECEIVERS

 <p>CM-RX90</p>	V2 Lazerpoint RF™ single relay receiver, 12/24V AC/DC
 <p>CM-RX92</p>	Lazerpoint RF™ dual relay receiver, 12/24V AC/DC



For a complete list of all SureWave™ Touchless Switch Kits, please visit www.camdencontrols.com

CAMDEN DOOR CONTROLS **Opening New Doors to Innovation, Quality and Support!**

5502 Timberlea Blvd. Mississauga, ON Canada L4W 2T7 • Toll Free: 1 877 226-3369 (CAMDEN9)
Tel: (905) 366-3377 • Fax: (905) 366-3378 • E-mail: info@camdencontrols.com • www.camdencontrols.com



Part #: MKTG-LIT-SP-CM-336