

Economy Commercial Door Closer



FEATURES

- Tri-Pack with regular, parallel and top-jamb mounting, instructions and full size template.
- Standard Closer Spring Sized to 3, 4 with NO adjustment.
- Non handed
- Standard with adjustable sweep, latch.
- Slimline Plastic Cover
- **SNB** Sex Nuts
- Standard hole pattern and mounting location.

SPECIFICATIONS

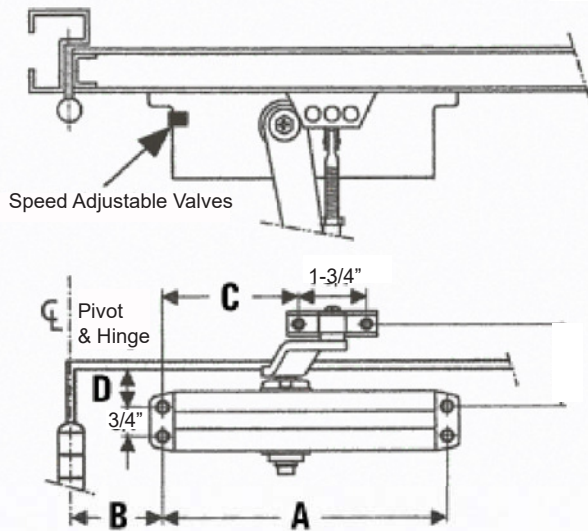
Closer - Closers shall be by **TownSteel** model number TDC50. a full rack and pinion type with cast aluminum alloy body. All closers shall be provided with non-critical valves with flat head adjustment to independently regulate the sweep, latch and back-check valves. Closer shall have set spring size. Closers shall be non-handed with projection of 2-1/2" from the surface of the door. All closers shall be mounted to allow the maximum degree of swing.

OPTIONS

- **BC** - Backcheck Adjustment Valve
- **SIZE 2, 5** - available - special order only

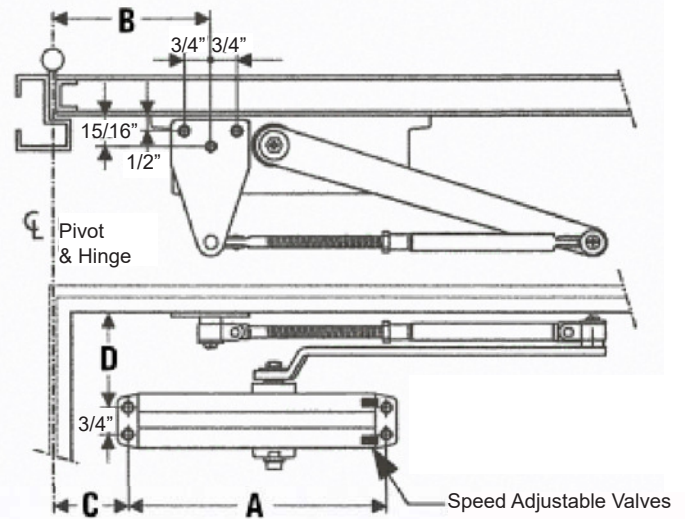
PULL SIDE INSTALLATION

Model	A	B	C	D
TDC53	8-3/16"	4"	6-1/2"	1-1/8"
TDC54	9-1/16"	4"	6-1/2"	1-1/8"



PUSH SIDE INSTALLATION

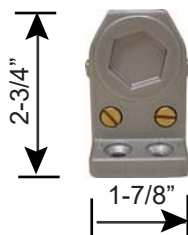
Model	A	B	C	D
TDC53	8-3/16"	8-3/4"	5-5/8"	3-3/8"
TDC54	9-1/16"	8-3/4"	4-3/4"	3-3/8"



CLOSER BODY



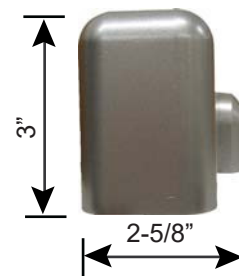
TDC 53 = 8-29/32"
TDC 54 = 9-13/16"



PDC-SLM-SLIM LINE COVER



10-5/8"



TDC-53/54 Door Closer

Series	Finishes
TDC 53: Size 3 door closer TDC 54: Size 4 door closer	AL: Aluminum DU: Duro

Order Sample

