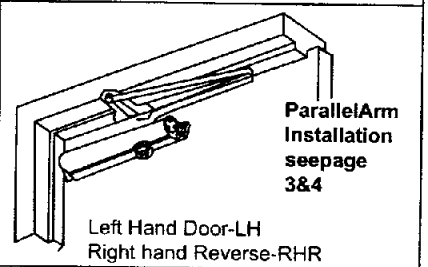
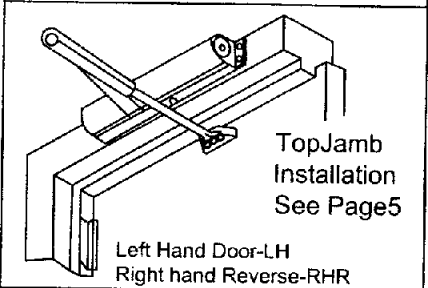
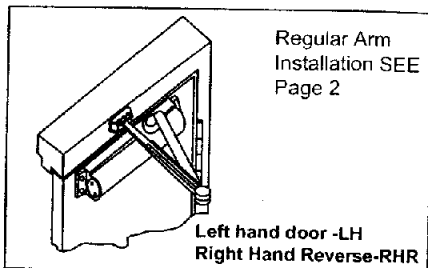


TDC-85 SERIES DOOR CLOSER

Non hold Open Model
Adjustable Size (1 thru 6)
Standard Backcheck
Optional Delay Action

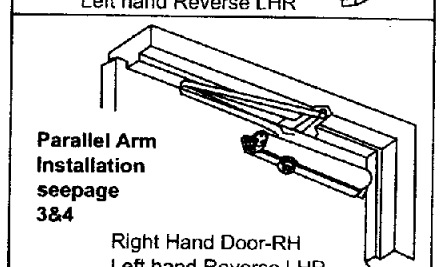
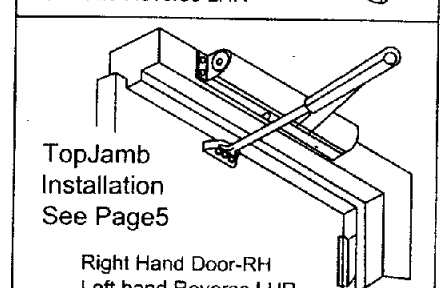
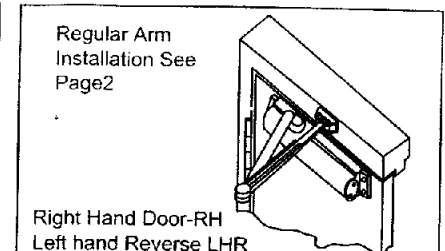
INSTALLATION INSTRUCTIONS Non Hold Open Door Closer



CAUTION
An incorrectly installed or improperly adjusted doorcloser can cause property damage or personal injury. These installation instructions should be followed to avoid the possibility of misapplication or misadjustment.

NOTE: For special applications a separate door and frame preparation template is packed with these instructions. Use this instruction sheet for installation sequence and closer adjustable only.

- Doors should be hung on ball bearing or Anti-friction hinges.
- A separate door stop is recommended.
- Door and frame must be properly reinforced.
- Adjust closing time speed between 3 and 7 seconds from 90° to 0°. Greater closing Times may be required for elderly or handicapped.



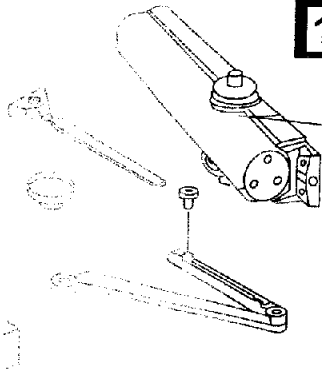
- These door closers should NOT be installed on the exposed side (weather side) of exterior doors

	<p>Metals</p> <p>#7 1/4-20</p>	<p>Wood</p> <p>3/16"</p>	<p>Self Drilling Screws Wood and Metal</p> <p>For wood drill 3/16 hole</p>	<p>(Optional)</p> <p>Sex bolts and Nuts</p> <p>Drill 9/32 thru from closer side 3/8 Drill other side Sex Bolts and Nuts</p>
	<p>Machine Screws</p> <p>#7 Drii. 1/4-20 Tap</p>	<p>Drill 9/32 thru from closer side 3/8 Drill other side</p>		

Delay Action valve (Optional)
Latch Valve
Backcheck valve
Closer Body
Sweep Valve
Power adjustment stud
Regular Arm Top Jamb Shoe
Connecting Rod
Forearm
Main Arm
Ciser Arm
Insert cutouts
Cover Insert
Standard Full Cover
Parallel Arm Bracket
Screw Pack

Non Hold Open Door Closers-Regular Arm

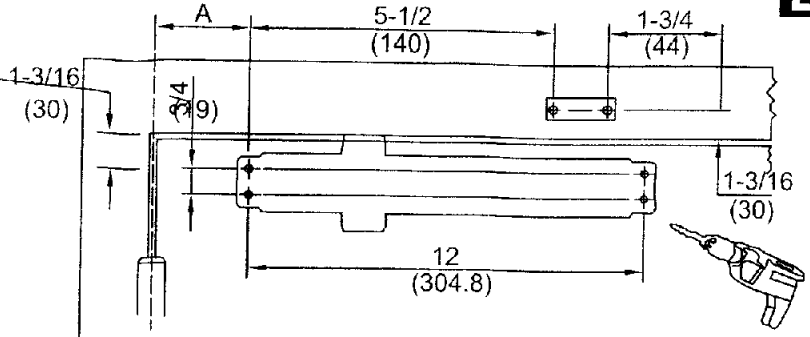
Parts



1

Mark and Drill Holes

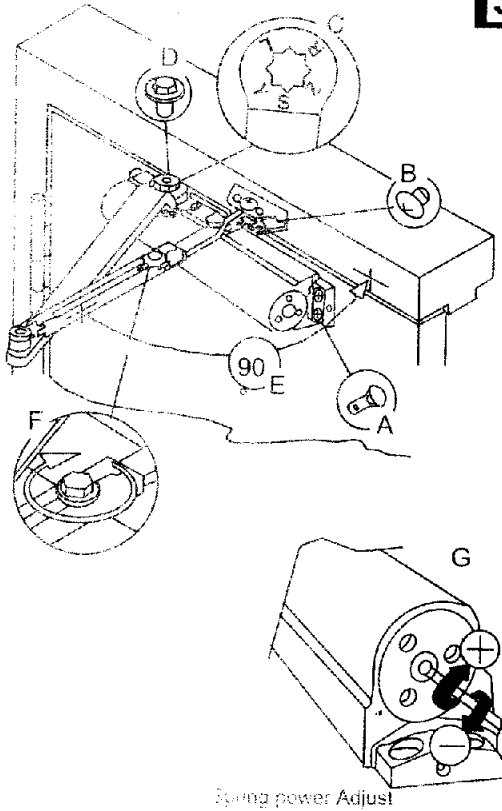
2



Optional

Installation Sequence

3



Right Hand Shown

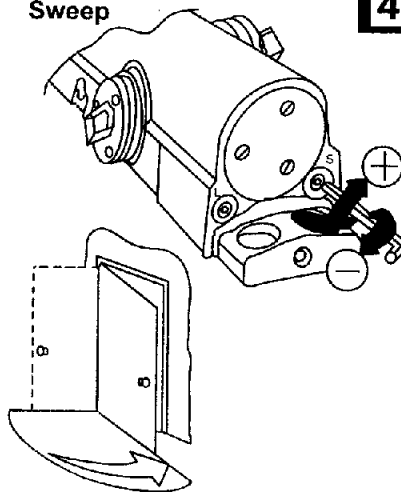
Opening	Dimension A
To 100°	7-1/2 (191)
101° to 130°	6 (152)
131° to 180°	4-1/2 (114)

Inches
(mm)

* Door/Wall/Hardware/Jamb conditions permitting

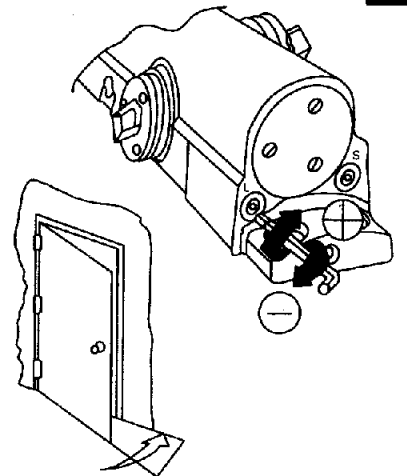
Sweep

4



Latch

5

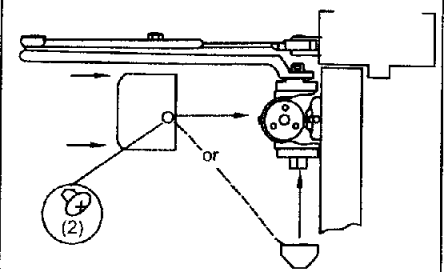
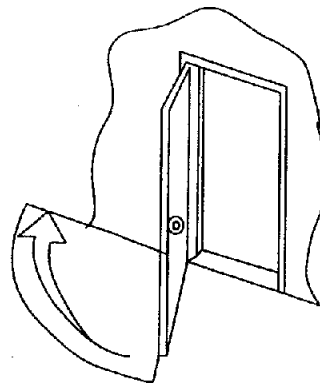
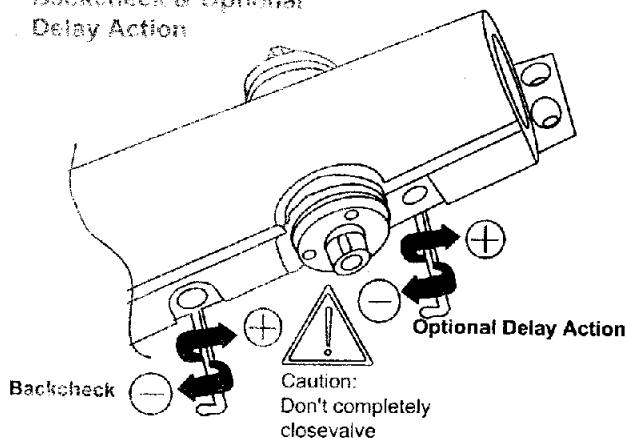


Backcheck & Optional Delay Action

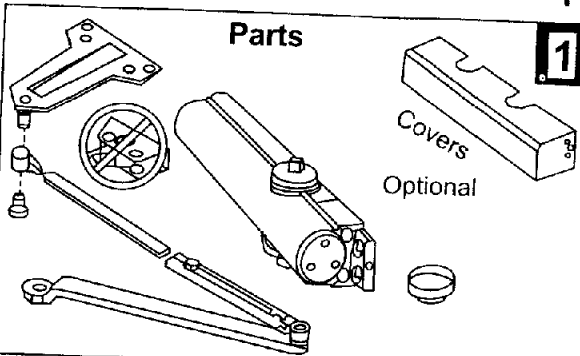
6

Pinion Cap or Optional Cover

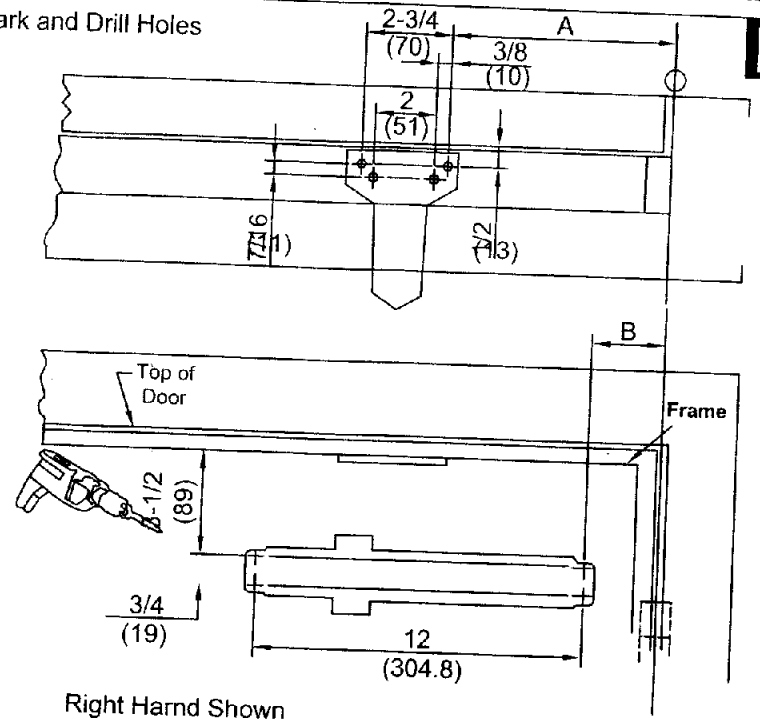
7



Non Hold Open Door Closers - Parallel Arm



2 **Mark and Drill Holes**

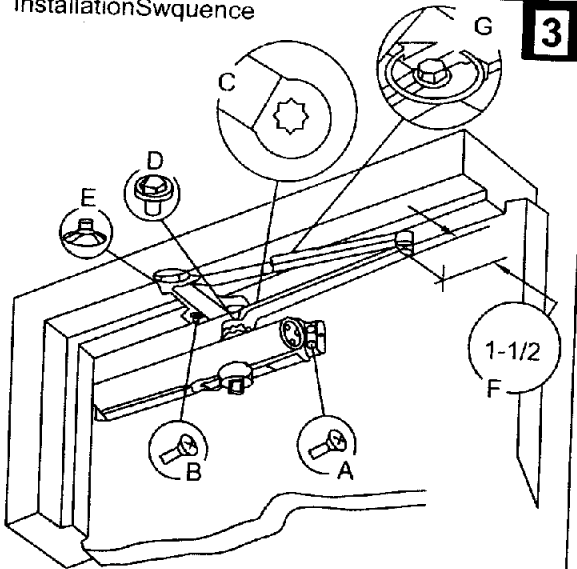


Inches
(mm)

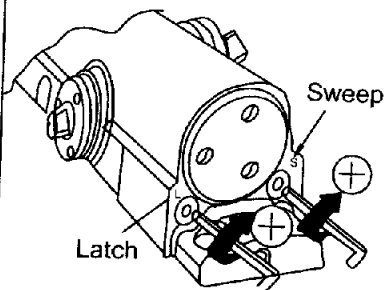
Door Opening	A ⊕	B ⊕
To 120°	9-1/2 (241)	3-3/4 (95)
*121 to *180°	7 (178)	1-1/4 (32)

*Door/Wall/Hardware/Jamb conditions permitting

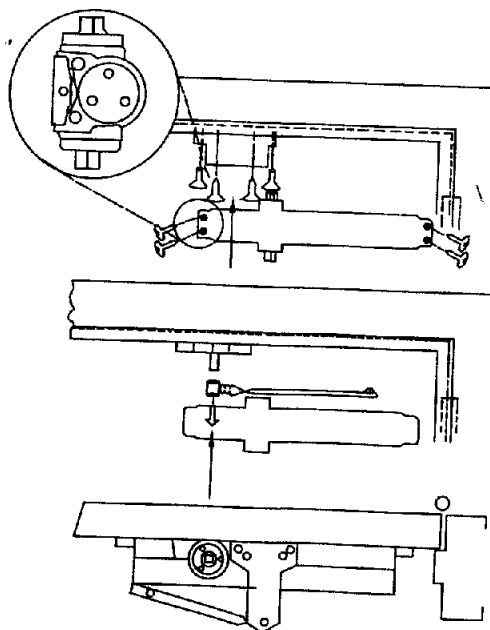
3 **Installation Sequence**



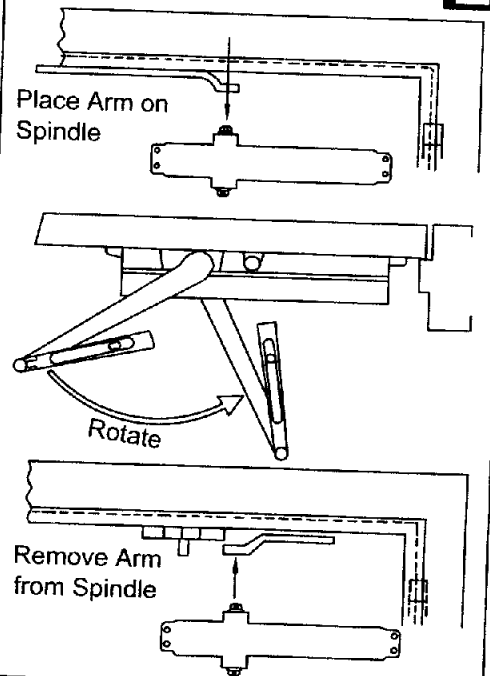
4 **Close Valves**



5 **Install Closer and Bracket**



6 **Preload Closer**



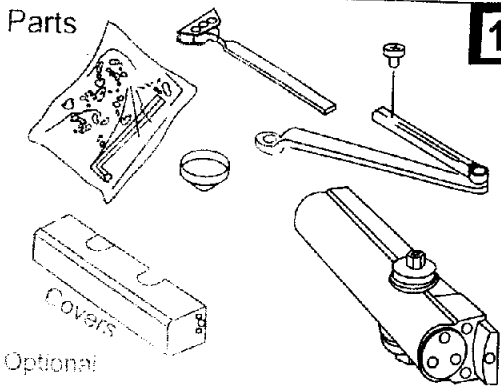
TDC-85 SERIES DOOR CLOSER

Non Hold Open Door Closers - Parallel Arm

<p>7</p> <p>Right Hnad Flat Door OR Left Hnad Flat Door</p> <p>A Flat Flat</p> <p>B</p>	<p>8</p> <p>Open Valves</p> <p>Sweep Latch</p> <p>Caution: Don't remove valves</p>	<p>9</p> <p>Assemble Arm</p>
<p>10</p> <p>Arm Screw</p> <p>1-1/2 (38)</p>	<p>11</p> <p>Spring Power Adjust</p>	<p>12</p> <p>Sweep</p>
<p>13</p> <p>Latch</p>	<p>14</p> <p>Backcheck & Optional Delay action</p> <p>Optional Delay action</p> <p>Backcheck</p> <p>Caution: Don't completely valves</p>	<p>15</p> <p>Pinion Cap or Optional Cover</p> <p>(2)</p> <p>or</p>

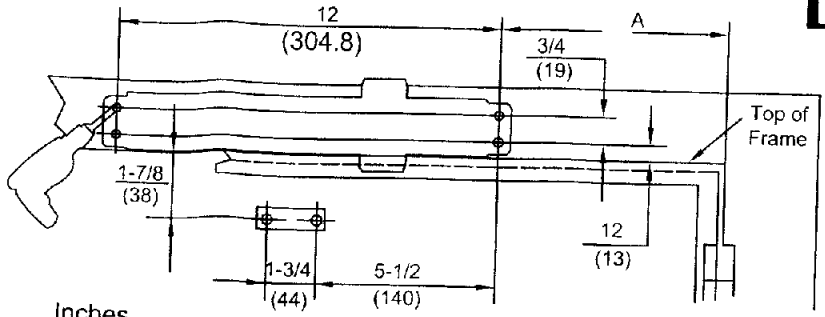
Non Hold Open Door Closer - Top Jamb Arm

Parts



1

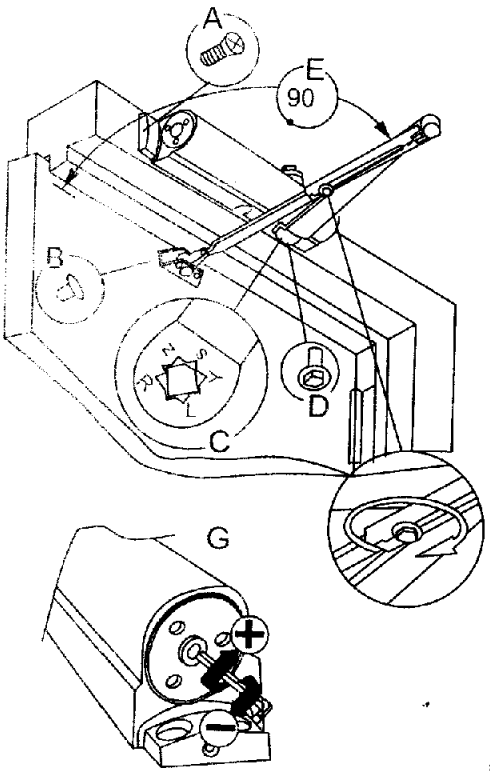
Mark and Drill Holes



2

Installation Sequence

3



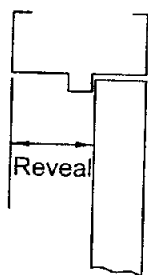
Inches (mm)

Right Hand Shown

*Door/Wall/Hardware Jamb conditions permitting

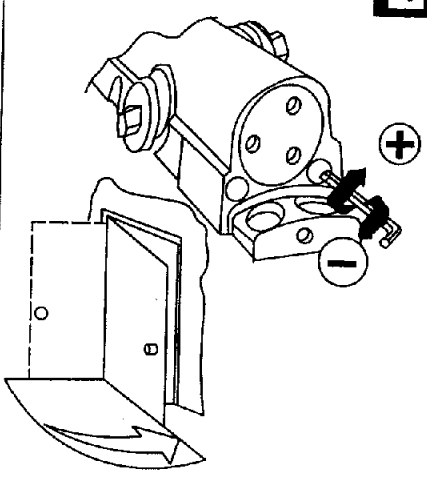
Opening	Dimension "A"
To 100°	7-1/2 (191)
101° to 130°	6 (152)
131° to 180°	4-1/2 (114)

A longer connecting rod is required for reveals greater than 3(76)



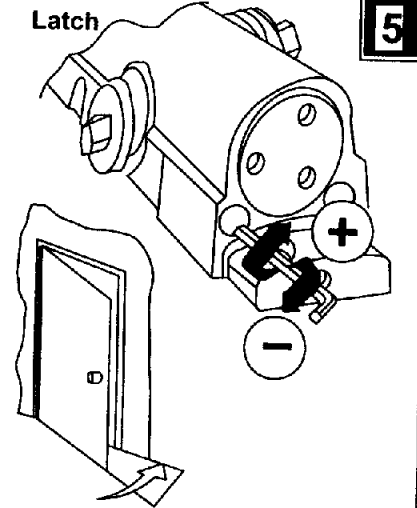
Sweep

4



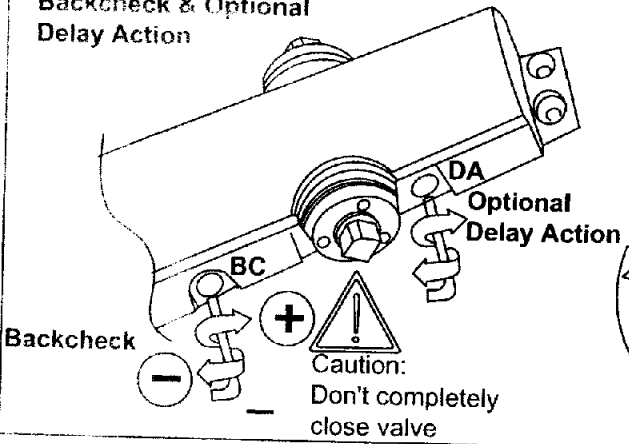
Latch

5



Spring Power Adjust

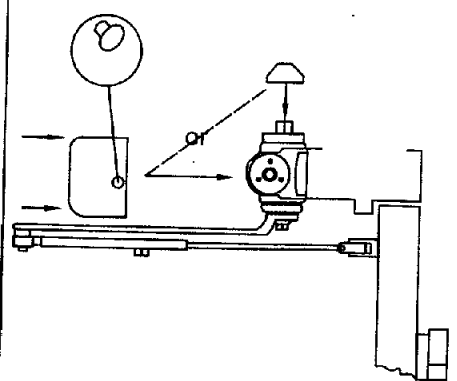
Backcheck & Optional Delay Action



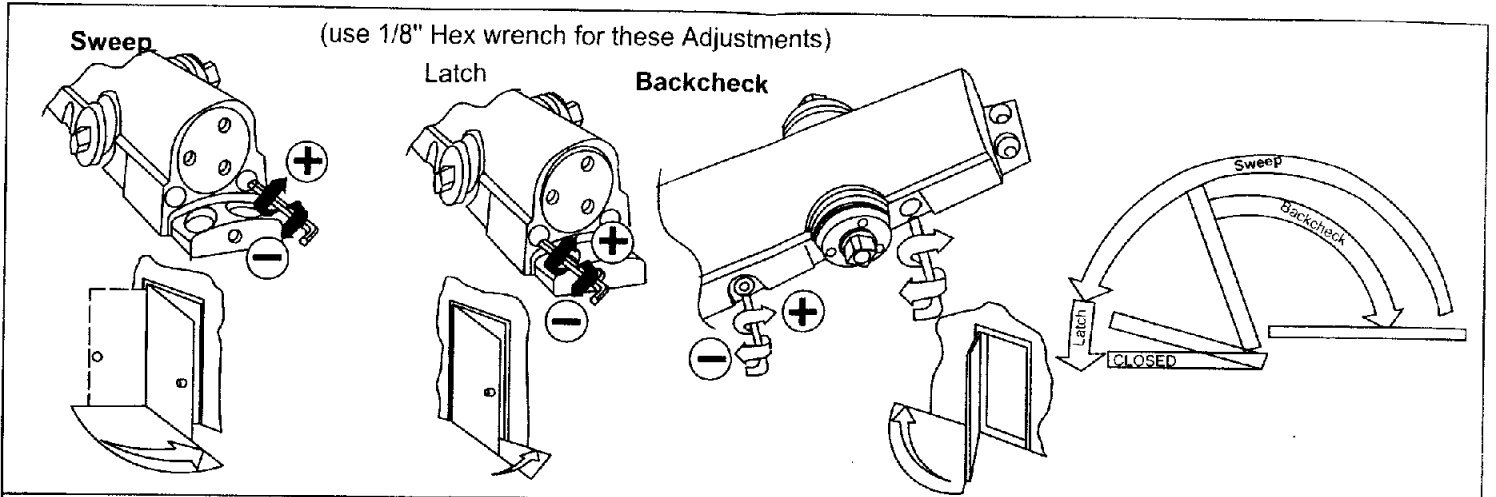
6

Pinion Cap or Optional Cover

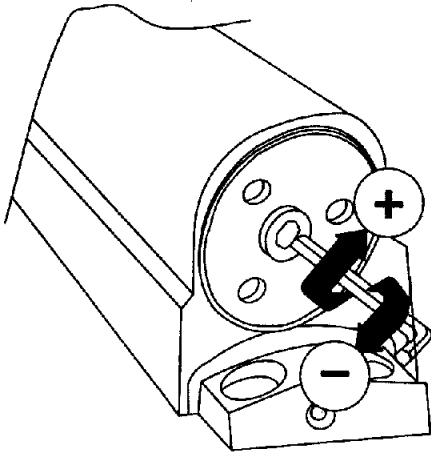
7



Adjustments Page



Spring Power Adjust

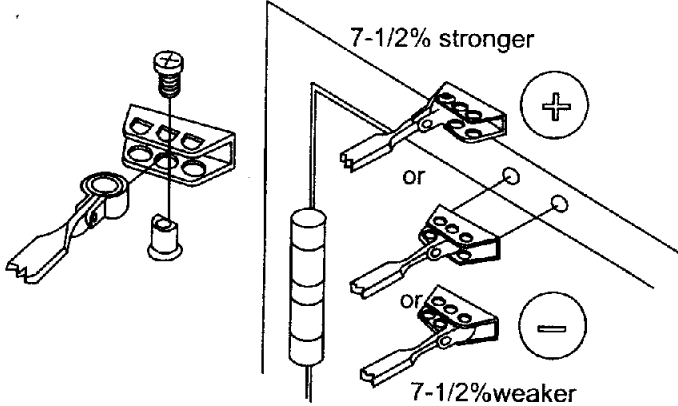


(Use 1/8 Hex Wrench for this Adjustment)

POWER ADJUSTMENT CHART

MAXIMUM DOOR WIDTH		FULL TURNS REQUIRED	MAX. DOOR WEIGHT LBS (KGS)
EXTERIOR DOORS	INTERIOR DOORS		
—	5lb-ft*	-7 TURNS C.C.W.	--55 (- 25)
8.5lb-ft*	34"(864)	-3 TURNS C.C.W.	55-99 (25-45)
30"(762)	38"(962)	0 TURNS	99-143 (45-65)
36"(914)	48"(1219)	4 TURNS C.W.	143-187 (65-85)
42"(1067)	54"(1372)	8 TURNS C.W.	187-264 (85-120)
48"(1291)	60"(1542)	13 TURNS C.W.	264-330 (120-150)

Arm Placement in shoe



NOTED ! 20 Full (360°) turns maximum available from the Min. setting.
Factory preset size 3 originally.