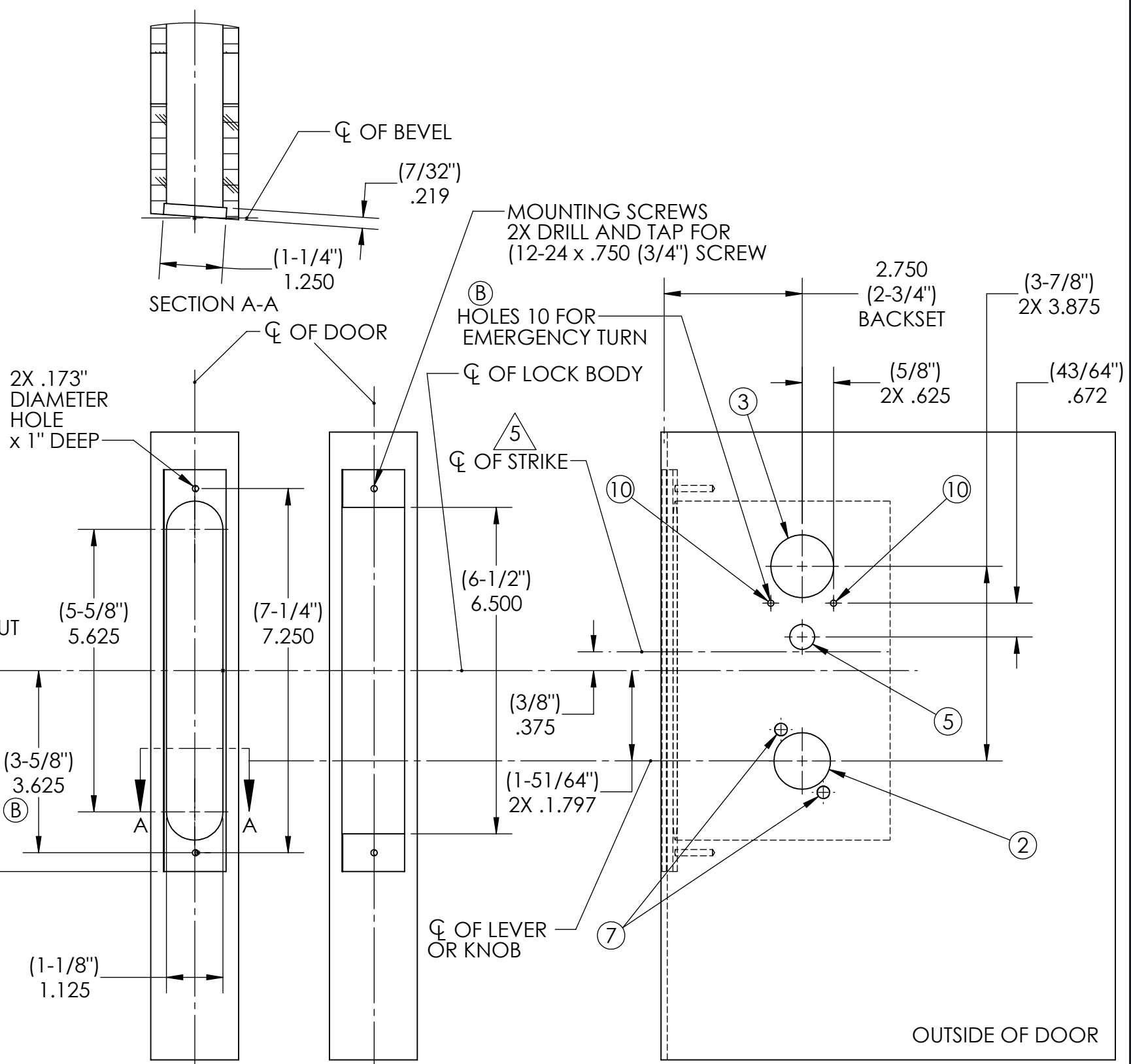
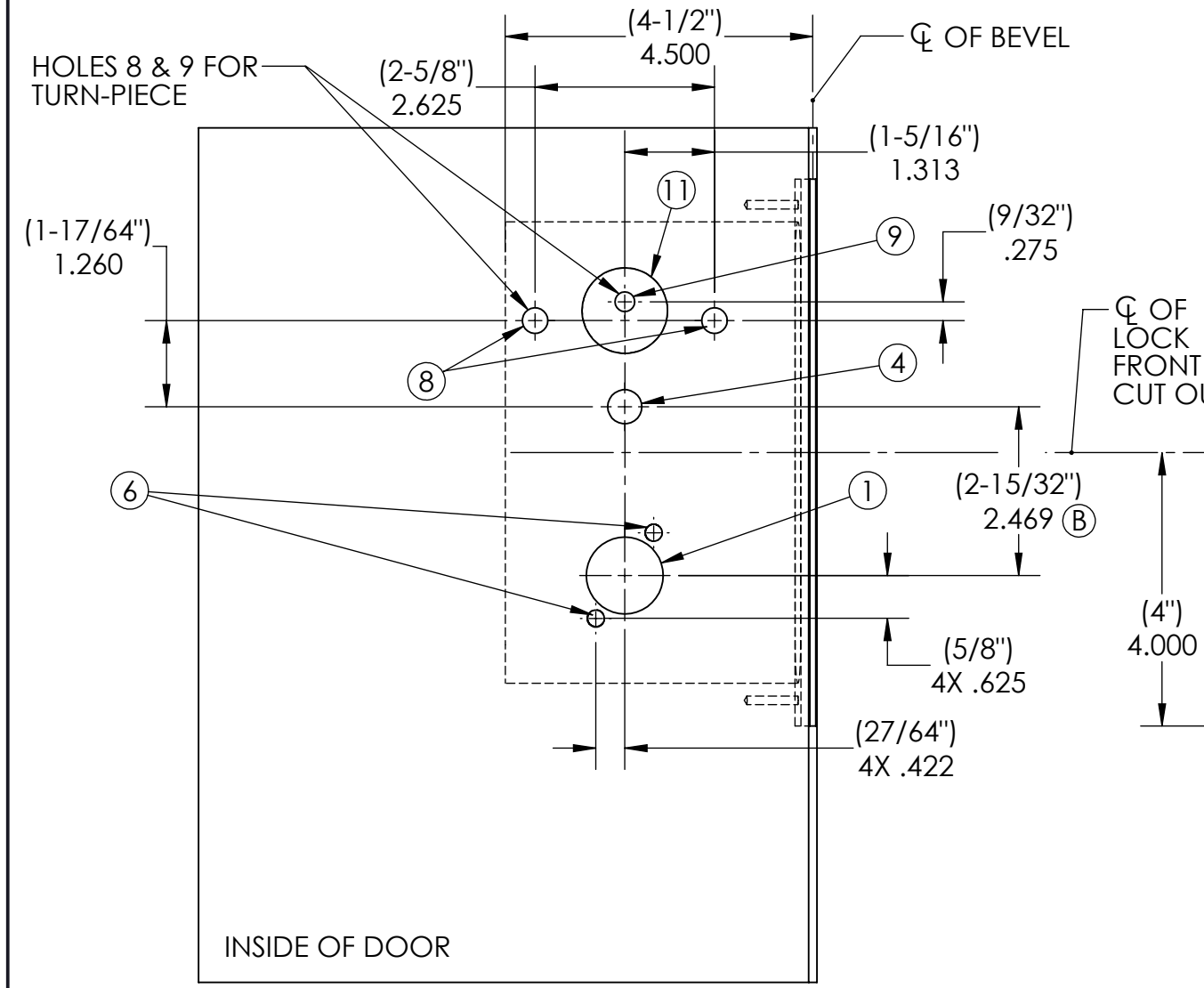


REQUIREMENTS

FUNCTION	1	2	3	4	5	6	7	8	9	10	11
	1.125" (1-1/8") DIA.	1.125" (1-1/8") DIA.	1.250" (1-1/4") DIA.	.500" (1/2") DIA.	.500" (1/2") DIA.	.250" (1/4") DIA.	.250" (1/4") DIA.	.375" (3/8") DIA.	.281" (9/32") DIA.	.125" (1/8") DIA.	1.250" (1-1/4") DIA.
03, 21			●	●				●	●		
04, 27, 30, 37, 55, 70, 71, 89	●	●	●			●	●				
06, 91	●	●	●			●					
05*, 24, 25, 28, 43, 45, 47, 50, 51, 56, 67, 281	●	●	●	●		●	●	●	●		
13, 95	●					●					
15, 96, 97	●	●	●			●	●				
16, 17, 26, 29, 38, 39, 40, 41, 46, 48, 49, 52, 59, 72, 73, 90	●	●	●			●	●				●
20			●								
22			●								●
23			●	●				●	●		●
31, 35, 36		●	●				●				
65, 66, 68	●	●	●	●	●	●	●	●	●	●	
92	●		●		▲						●

*ALL 05 LOCKS MANUFACTURED PRIOR TO 7/6/04 USE 55 FUNCTION DOOR PREP.



- NOTES:
- DENOTES HOLE REQUIREMENTS FOR FUNCTIONS LISTED. (CHECK TABLE BEFORE CUTTING HOLE.)
 - ▲ DENOTES HOLE #7 NOT REQUIRED FOR 7892 LOCKSET.
 - REFER TO TRIM TEMPLATE FOR ADDITIONAL HOLES REQUIREMENTS.
 - SUITABLE REINFORCEMENTS REQUIRED FOR METAL DOORS.
 - FOR DETAILS, SEE STRIKE TEMPLATE 7063.
 - FOR ADDITIONAL DETAIL FOR SOLENOID OPERATED FUNCTIONS (70, 71, 72 & 73), SEE TEMPLATE 7065.

SARGENT Manufacturing Company
ASSA ABLOY 100 Sargent Drive New Haven, CT 06511

RELEASE DATE

TEMPLATE: 8200 & 9200 BHD, BHL & ALP TRIM

TEMPLATE NO.
4745B