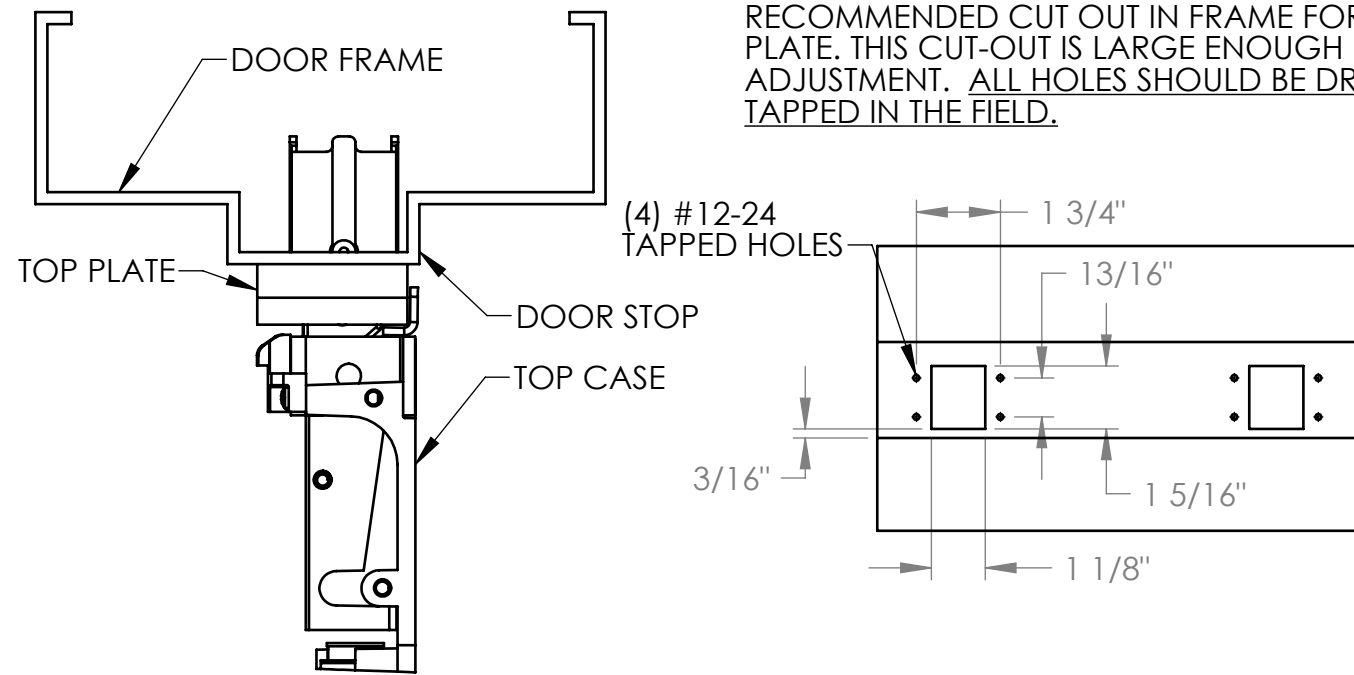
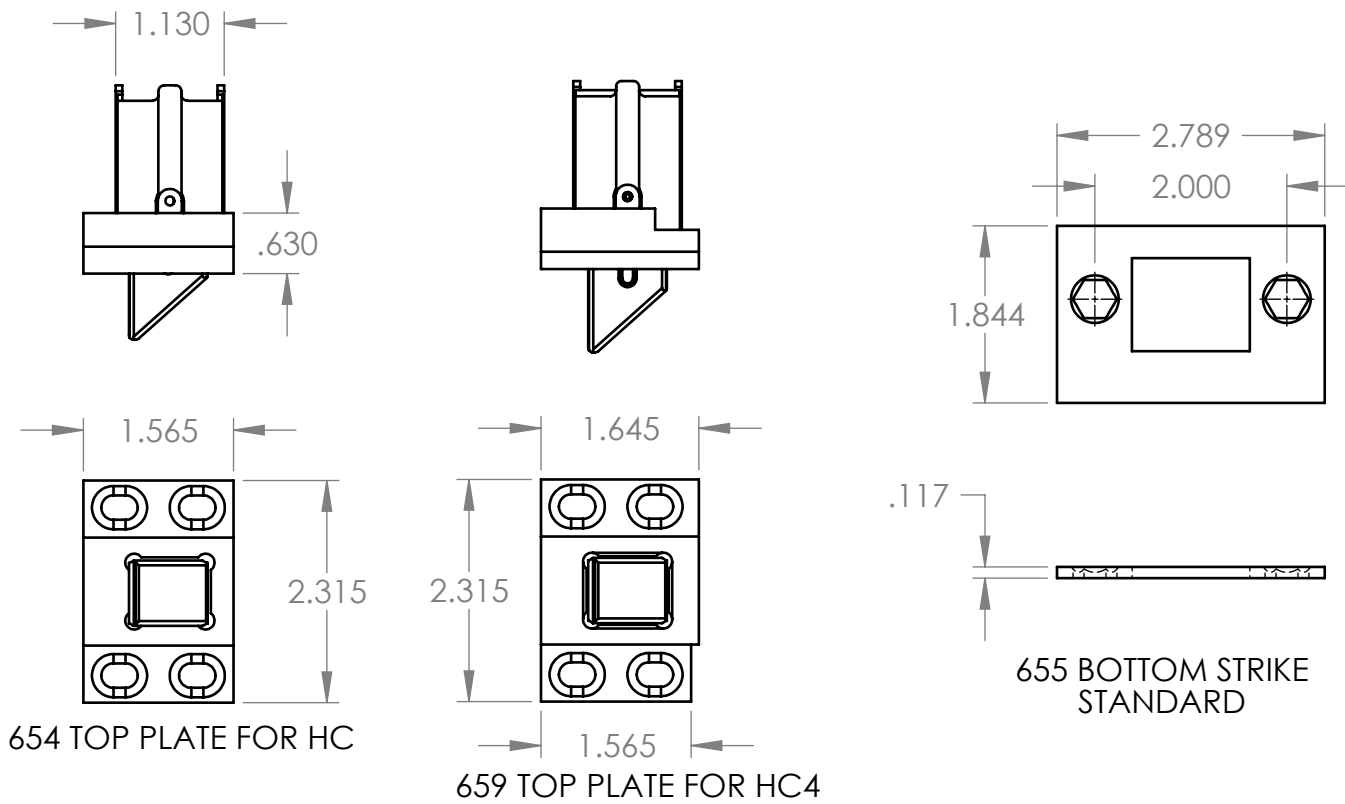


HC8700 & HC4-8700/ 12-HC8700 & 12-HC4-8700



RECOMMENDED CUT OUT IN FRAME FOR #654 TOP PLATE. THIS CUT-OUT IS LARGE ENOUGH FOR FUTURE ADJUSTMENT. ALL HOLES SHOULD BE DRILLED AND TAPPED IN THE FIELD.



654 TOP PLATE FOR HC

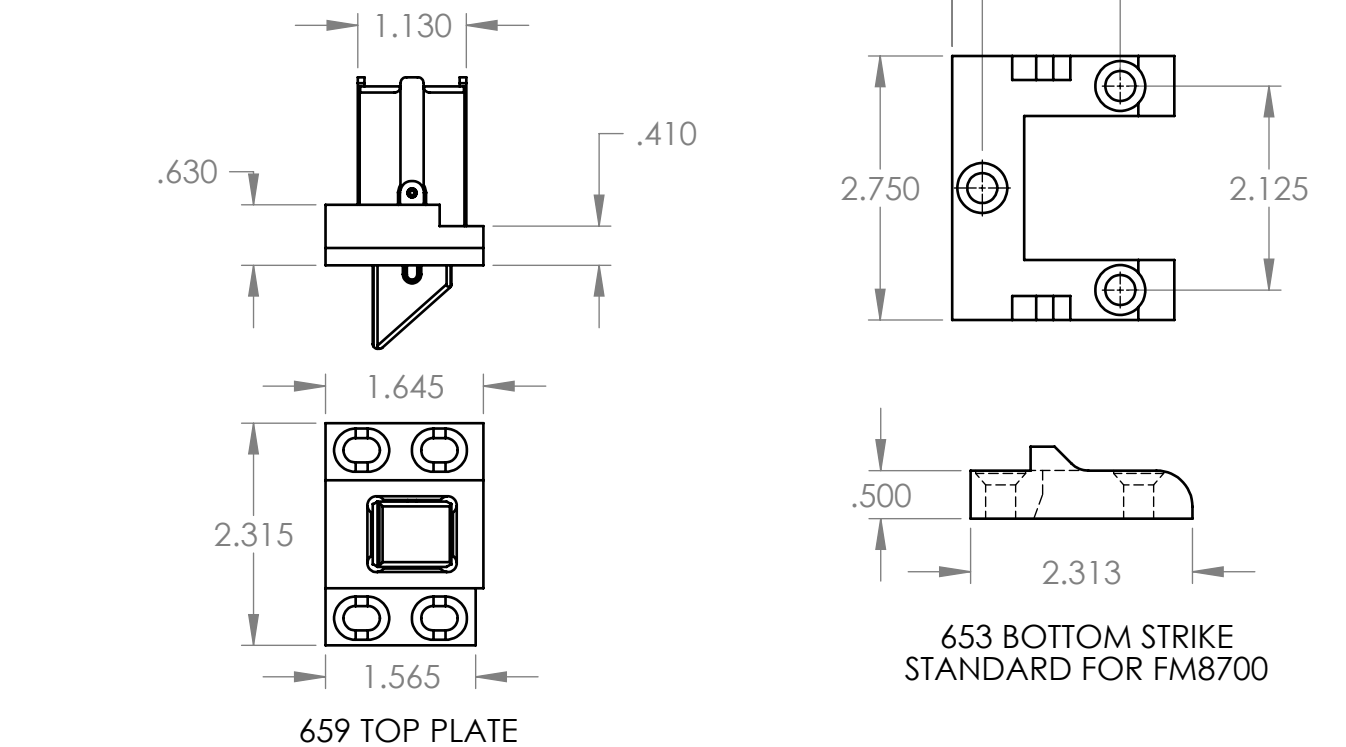
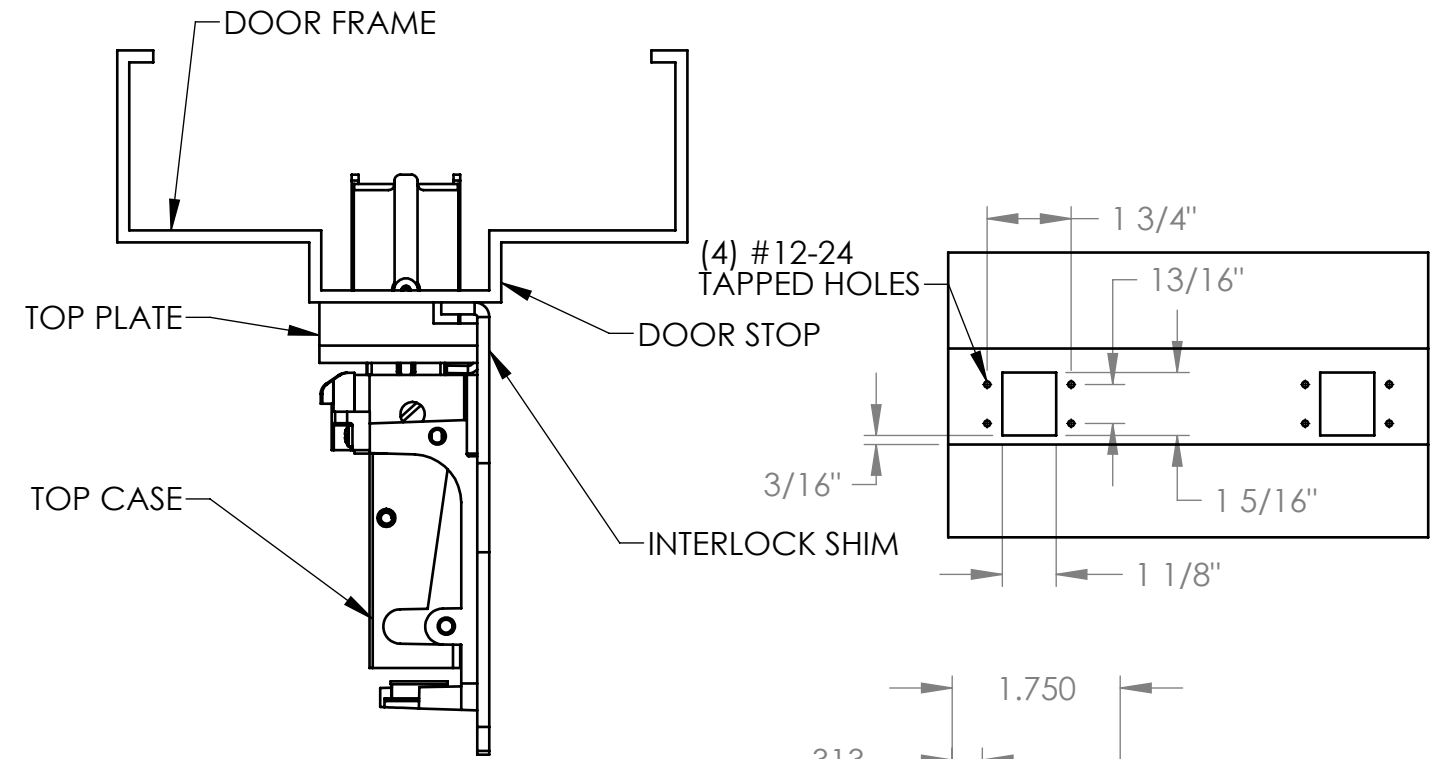
659 TOP PLATE FOR HC4

655 BOTTOM STRIKE STANDARD

NOTES

1. USE THIS DIMENSION WHEN DOOR STOPS AGAINST FRAME AS ILLUSTRATED ABOVE. IF DOOR SILENCERS (RUBBER BUMPERS) ARE USED ON THE STOP, DECREASE THIS DIMENSION ACCORDINGLY. FOR GLASS BEADED DOORS USE 1/8" OR 1/4" SHIMS UNDER THE TOP CASE AND INCREASE THIS DIMENSION ACCORDINGLY (GLASS BEAD SHIM KIT AVAILABLE ON ORDER)
2. TOLERANCE ON FRACTIONAL DIMENSIONS $\pm 1/64$ ".
3. ALL HOLES SHOULD BE DRILLED AND TAPPED IN THE FIELD

FM8700/12-FM8700



659 TOP PLATE

653 BOTTOM STRIKE STANDARD FOR FM8700

SARGENT	Sargent Manufacturing Company
ASSA ABLOY	100 Sargent Drive New Haven, CT 06511
TEMPLATE FOR TOP AND BOTTOM STRIKES (HC8700, 12-HC8700, HC4-8700, 12-HC4-8700, FM8700, 12-FM8700 EXIT DEVICES)	RELEASE DATE APRIL 6, 2017
	TEMPLATE NO. 4296G