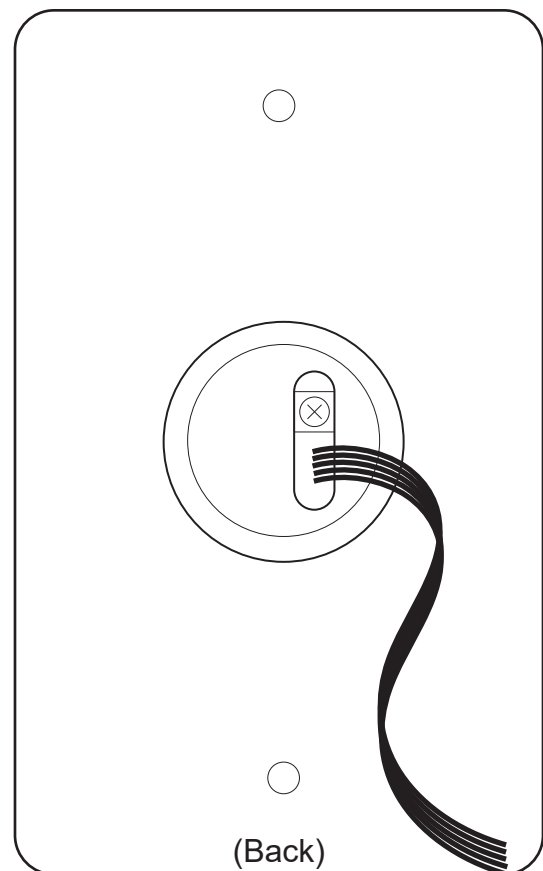
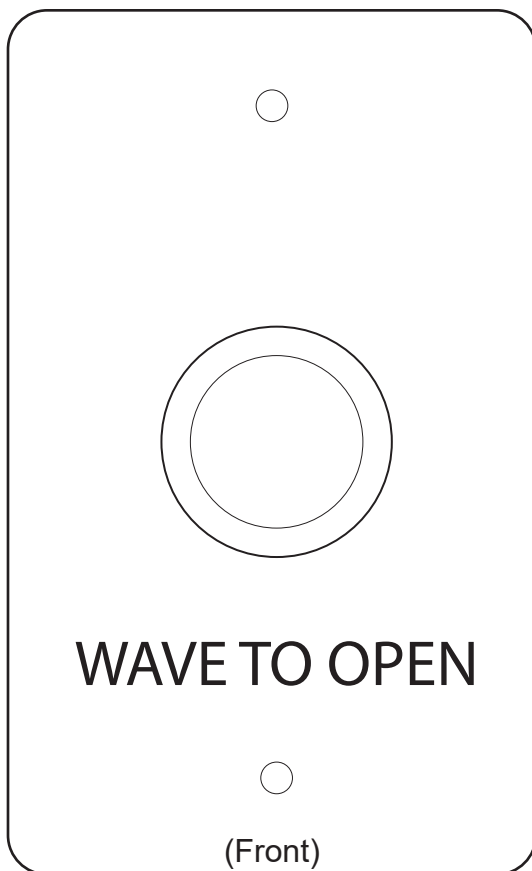


TOUCHLESS SWITCH

INSERT INSTRUCTIONS

The Command Access Touchless Switch is a hard wired, illuminated activation device that can be used for handicap access, automatic operator activation and Request-to-Exit applications.

Sizes: **Standard Width:** for mounting into a single gang electrical box or flat surface.
Narrow Width: for mounting into a door frame/window mullion or flat surface.



SPECIFICATIONS

- **Input Voltage:** 12-24VDC
- **Input Current:** 50mA active (Green Light)
25mA standby (Blue Light)

- **Contact Rating:** 3A @24VDC
- **SPDT Contacts:** Common
Normally Open
Normally Closed

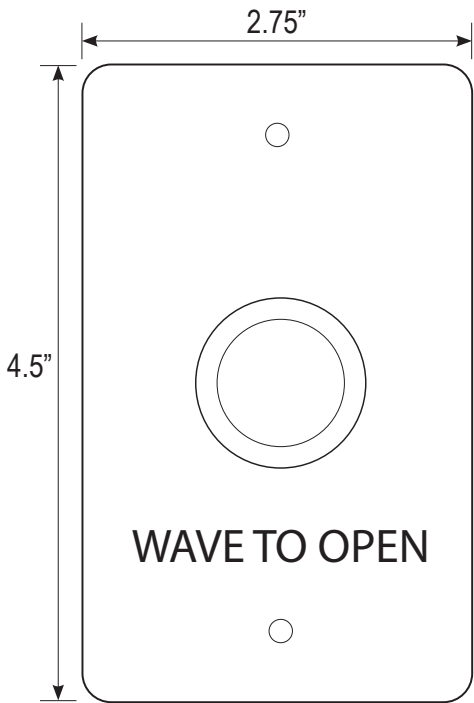
Power Wires (Polarity Sensitive)

- **Red:** 12-24VDC+
- **Black:** 12-24VDC-

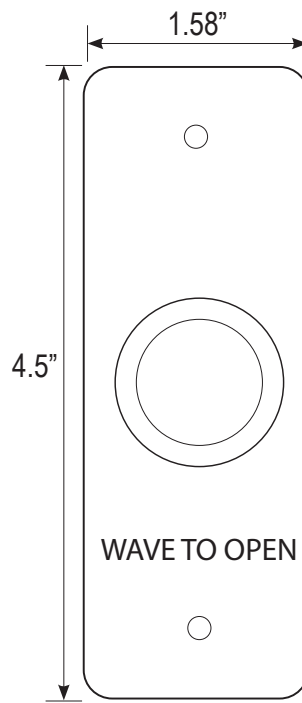
Contact Wires

- **Yellow:** Common
- **Green:** NO (Normally Open)
- **White:** NC (Normally Closed)

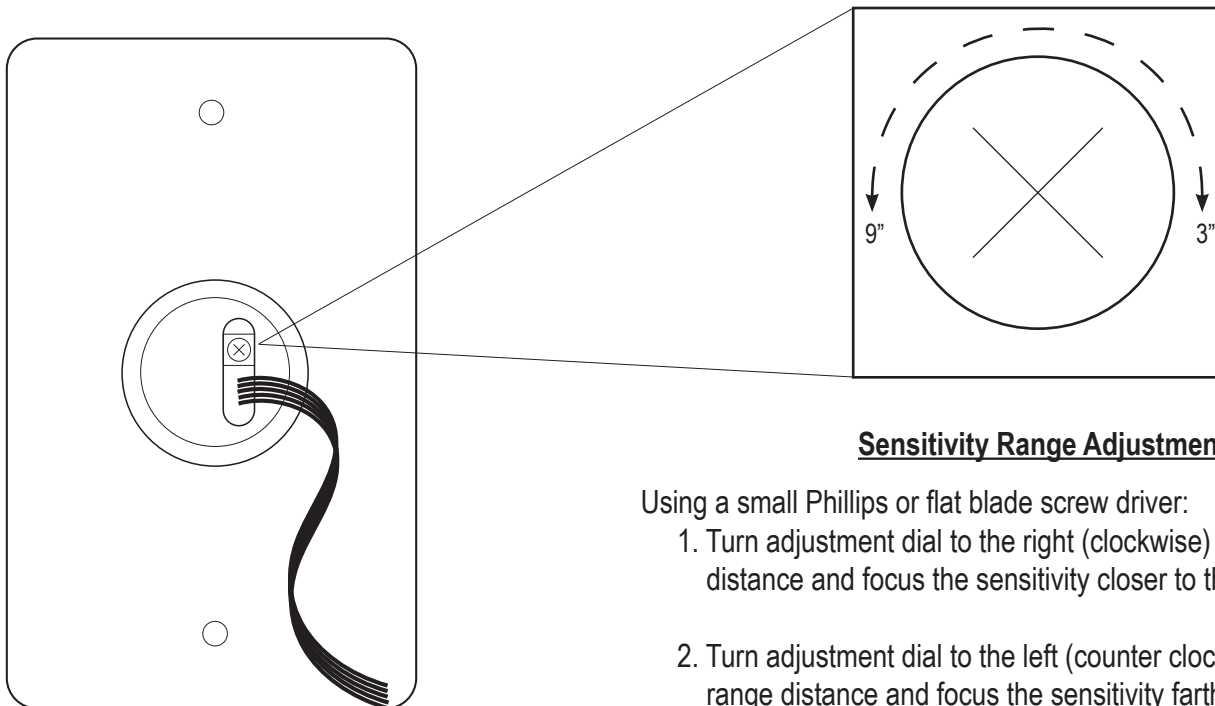
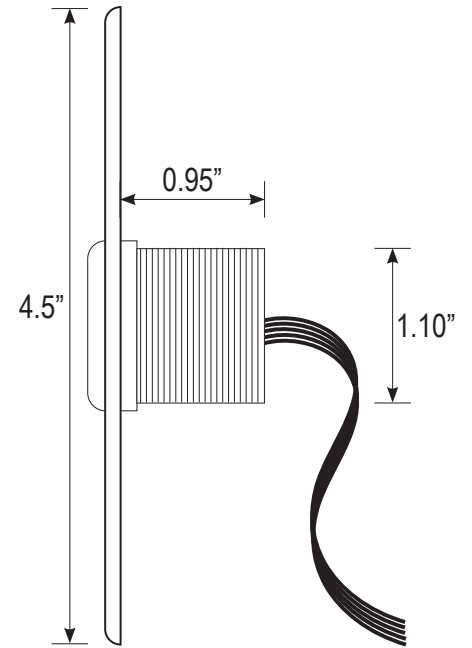
DIMENSIONS



(Standard)



(Narrow)



Sensitivity Range Adjustment

Using a small Phillips or flat blade screw driver:

1. Turn adjustment dial to the right (clockwise) to decrease read range distance and focus the sensitivity closer to the switch.
2. Turn adjustment dial to the left (counter clockwise) to increase read range distance and focus the sensitivity farther away from the switch.