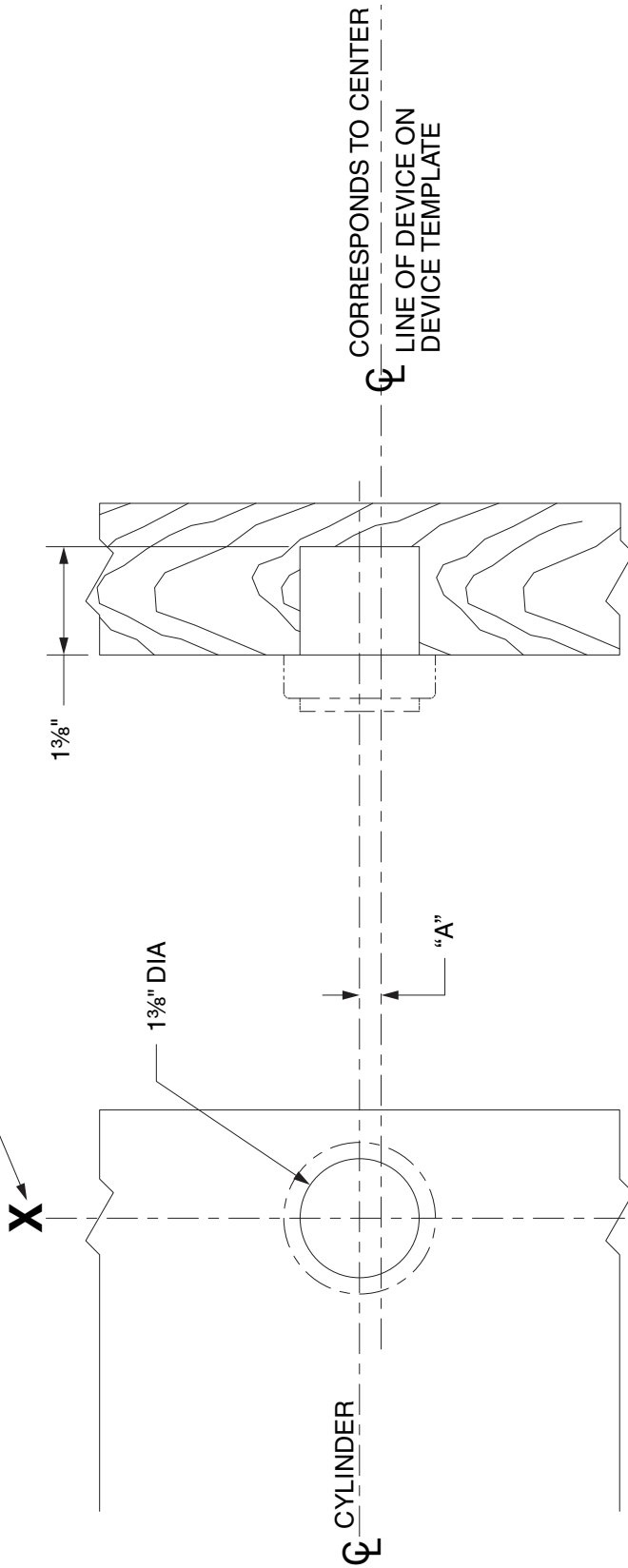


LINE X-X CORRESPONDS TO  
LINE X-X ON DEVICE TEMPLATE



OUTSIDE  
FACE OF  
LOCK STILE

LHR SHOWN  
RHR OPPOSITE

DEVICE APPLICATION SCHEDULE	
DEVICE	DIM. "A"
22 RIM	1/4"
2227 SERIES VERT. DEVICE	1/4"
55 RIM	1 3/4"
98/99 SERIES RIM DEVICE	1/4"
9827/9927 SERIES VERT. DEVICE	1/4"
9847/9947 SERIES DEVICE	1/4"
9849/9949 SERIES VERT. DEVICE	1/4"
98/9950WDC SERIES VERT. DEVICE	1/4"

FOR CUTOUTS ON INSIDE FACE OF DOOR  
SEE DEVICE TEMPLATE.

## 110NL Cylinder Preparation (Wood Door)

**VON DUPRIN®**

NOTES: SEE MASTER SHEET #10001 FOR SUGGESTED REINFORCING

TEMPLATE  
NUMBER:

W40016\_e

DATE:  
08-07-19