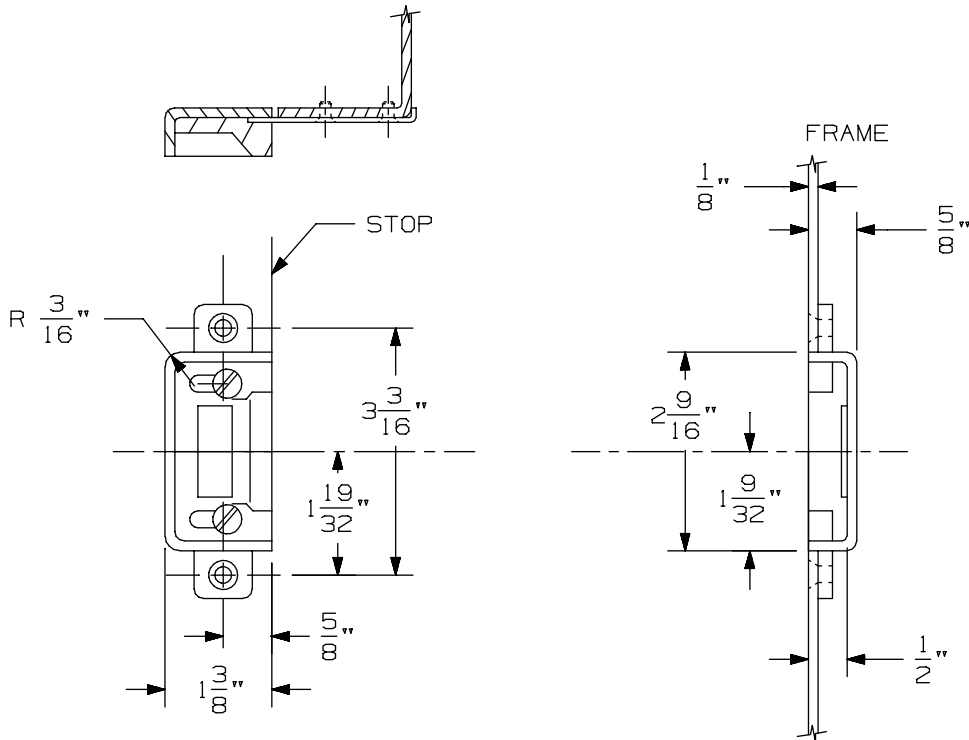


LHR APPLICATION SHOWN, RHR APPLICATION OPPOSITE.



1410 Strike

VON DUPRIN®

NOTES: SEE MASTER SHEET #10001 FOR SUGGESTED REINFORCING

TEMPLATE NUMBER:

30023_a

DATE:
05-23-13