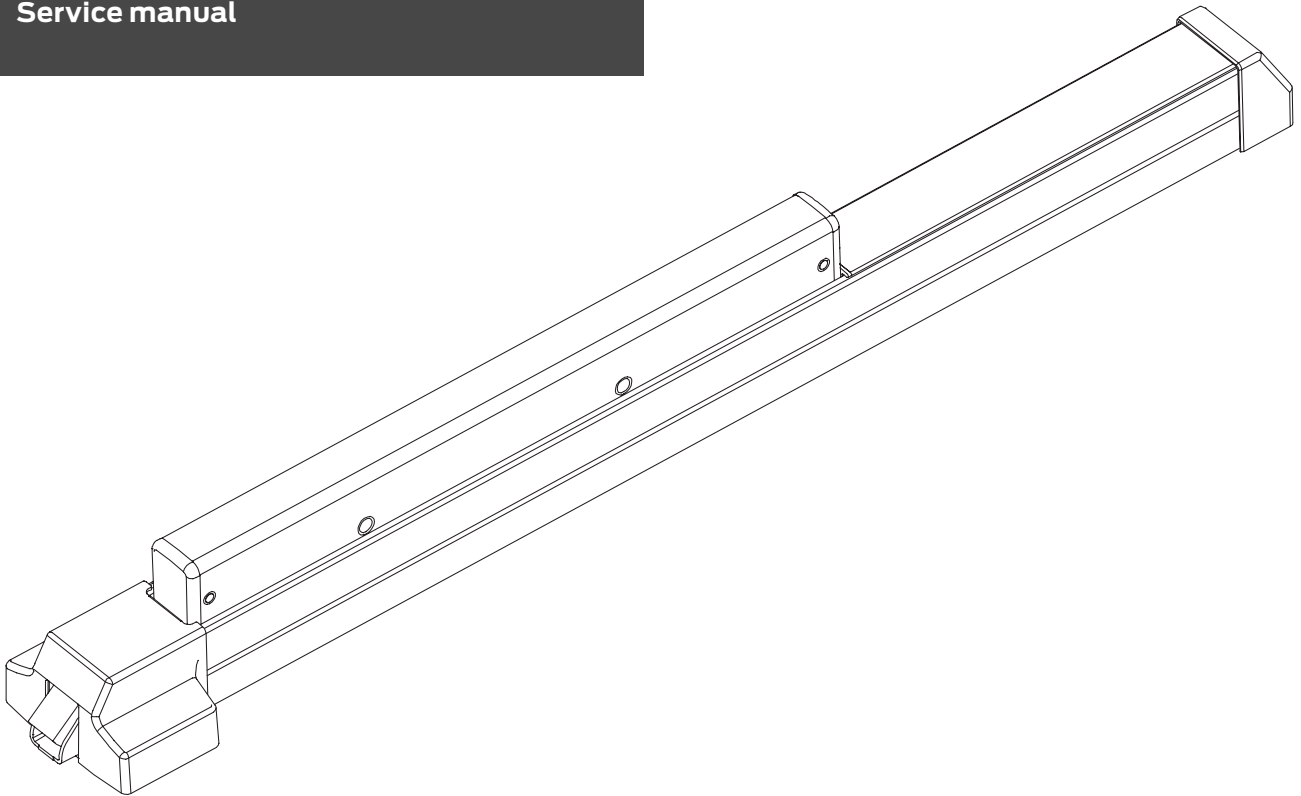


**VON DUPRIN®**

# 22 Series Rim Exit Device

Service manual



# INDEX

22 Rim Devices	
Basic Panic Device .....	4-5
Basic Fire Device .....	6-7
Baseplate Assemblies .....	8
Center Case Assembly .....	9
Variations of the Basic Device	
RX (Request to Exit) .....	10
LX (Latch Bolt Monitoring) .....	10
ALK Exit Alarm Kit .....	11
General Information	
Introduction .....	2
How to Order .....	2
Part Number Changes .....	2
Finishes .....	3
Outside Trim Functions .....	3
Strikes .....	3

## INTRODUCTION

This manual contains a listing of replaceable parts and assemblies for the 22 Rim Exit Hardware Devices.

## HOW TO ORDER

Some parts are sold separately. Other items are available as part of a kit or multiple quantity package. For the best possible service when ordering replacement parts or assemblies, please provide the following information:

- Part number or assembly number
- Description
- Quantity needed
- Finish desired (if available finished)
- Date of original purchase (if known)

To find out the name of your local Von Duprin distributor or sales representative, contact:

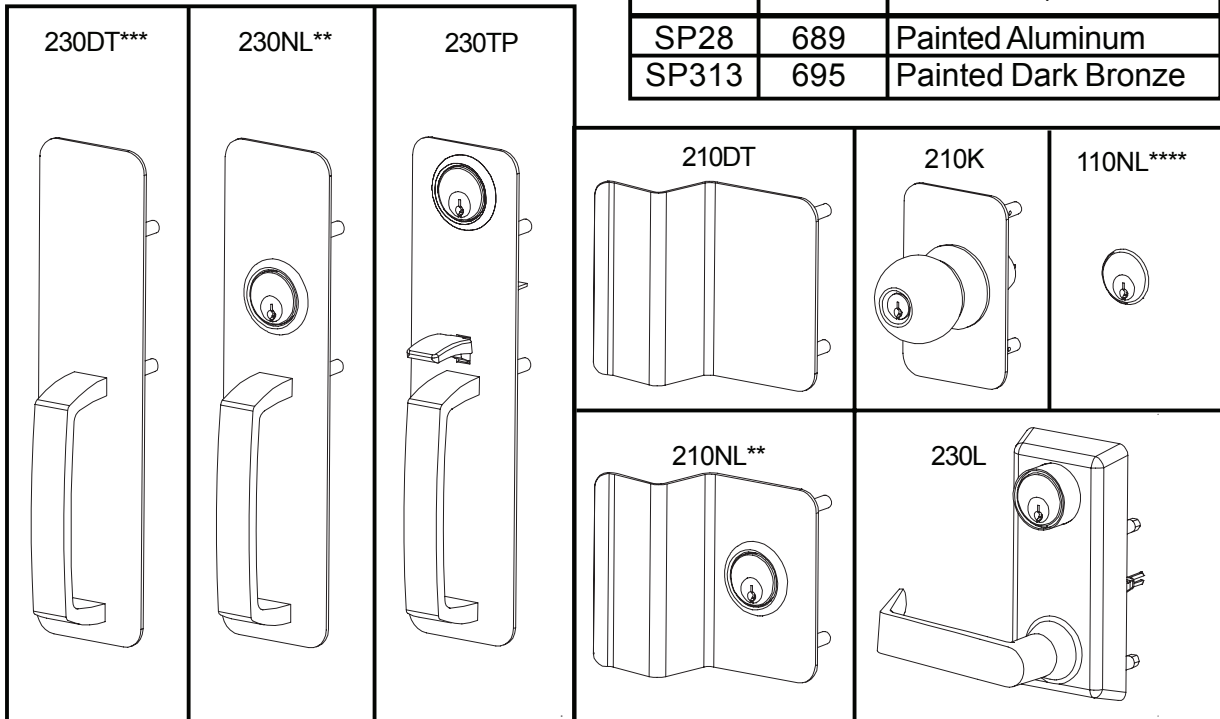
Von Duprin Division  
Allegion  
2720 Tobey Drive  
Indianapolis, Indiana 46219  
Phone: (877) 671-7011

## PART NUMBER AND AVAILABILITY CHANGES

This manual was designed to help illustrate the replacement parts and kits that are available for sale. Because of changes to the product and/or manufacturing process, part numbers and availability can change over time.

## 22 SERIES FINISHES

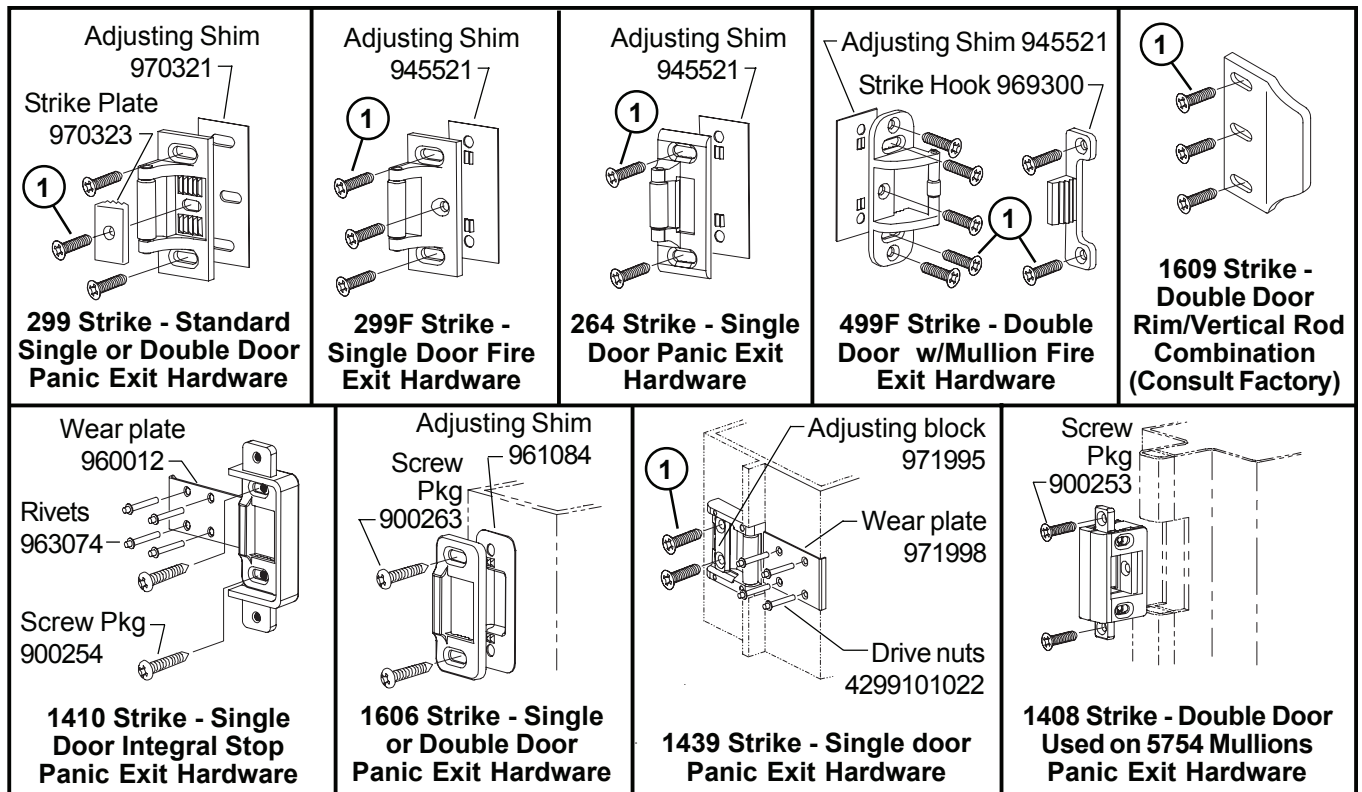
### OUTSIDE TRIM FUNCTIONS



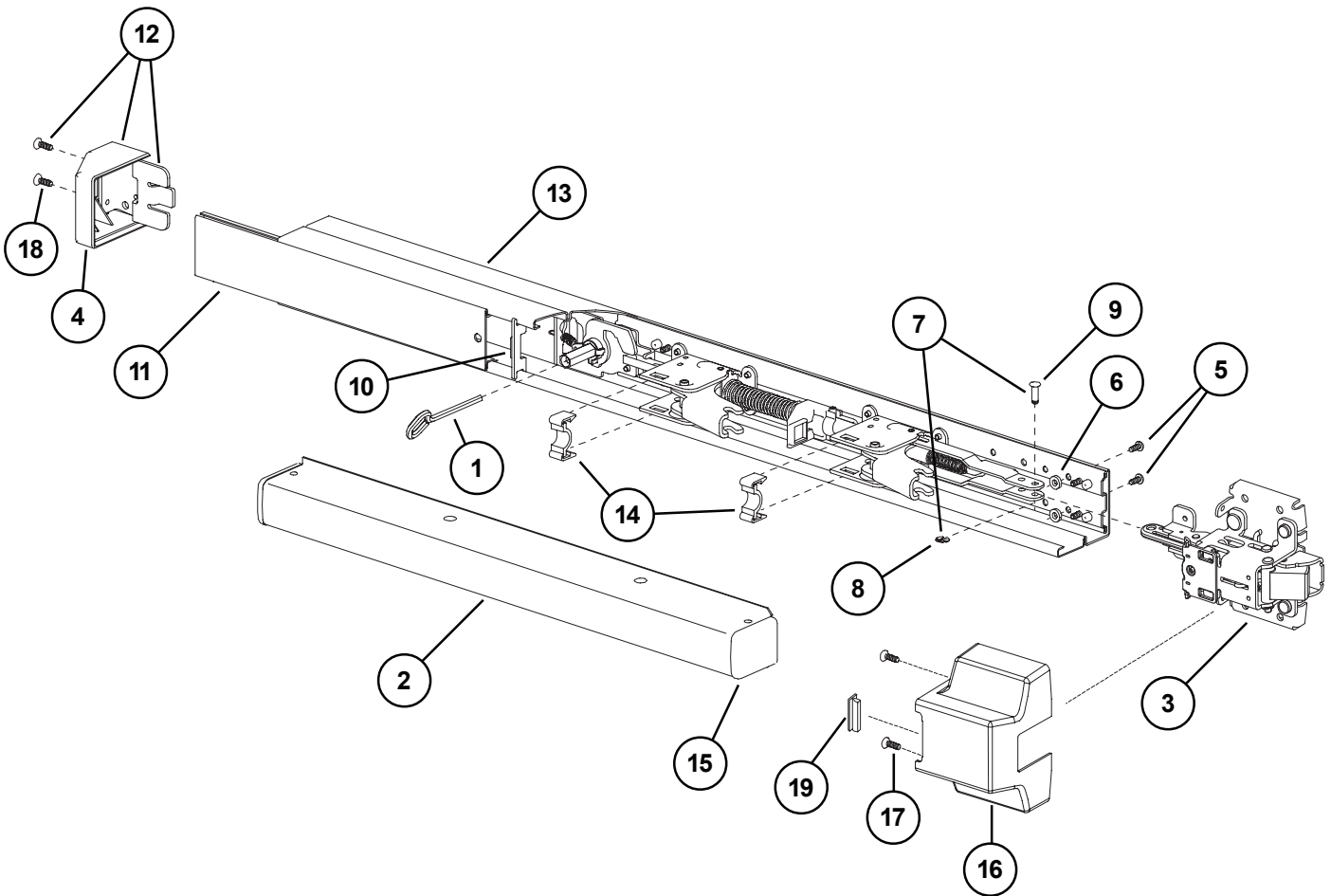
- \* "BE" (Blank Escutcheon) no cylinder used - lever always active
- \*\* "NL" (Night Latch) rigid lever - key retracts latch bolt
- \*\*\* "DT" (Dummy Trim) rigid lever for pull operation
- \*\*\*\* Optional Pull needs to be added

### STRIKES

- ① Metal Door Screw Package PKGSRV.1023 (Pkg of 10)
- Wood Door Screw 964291 (Qty of 1)



# 22 RIM PANIC DEVICE



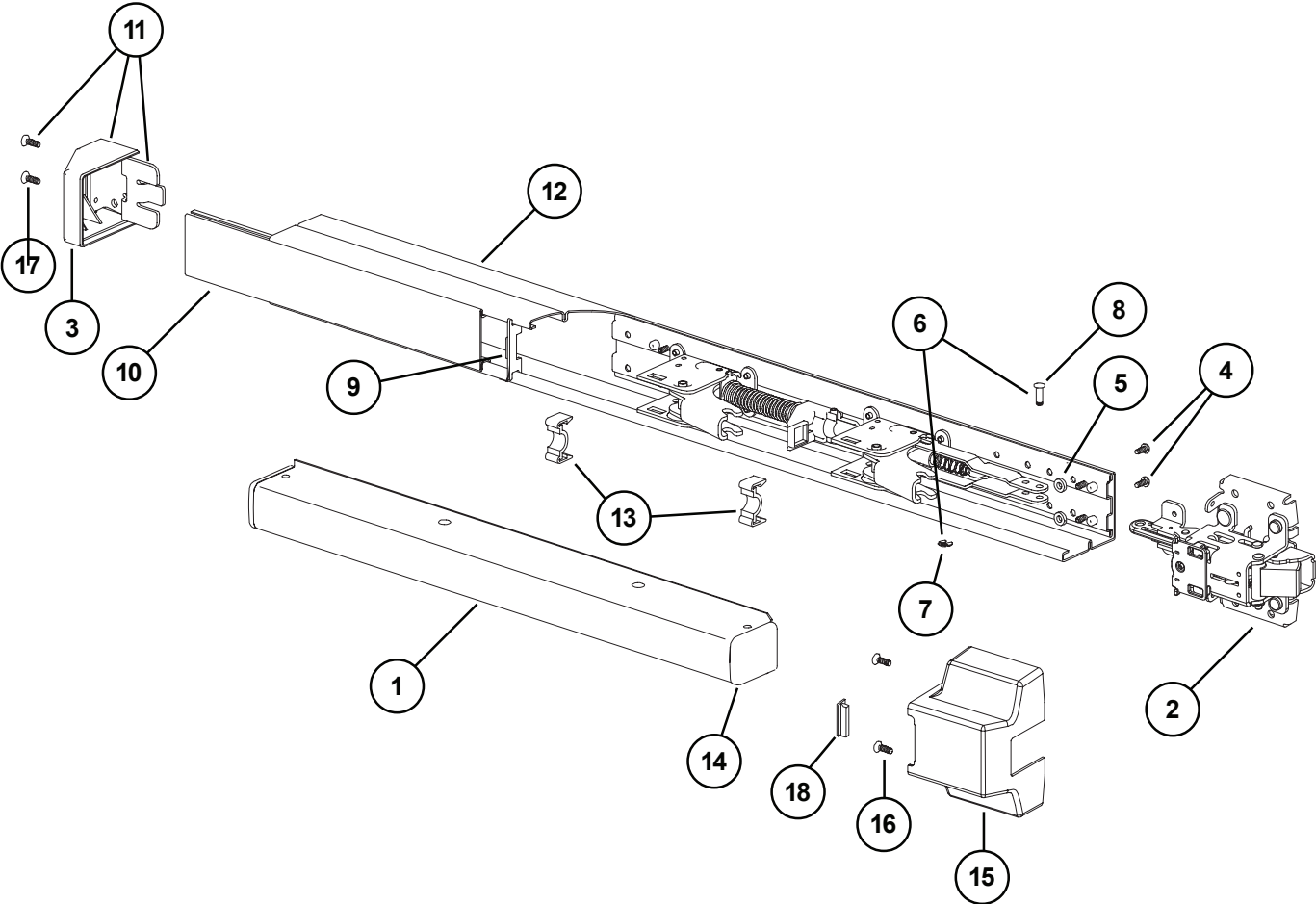
## 22 RIM PANIC DEVICE

Item No.	Quantity	Part No.	Description	Finish
	1	900561	22 Series Mounting Pkg. (1-3/4 & 2-1/4)	
1	1	090085	227 Dog Key 5/32" Hex (Pkg of 10)	
1	1	090005	227 Dog Key 5/32" Hex (Pkg of 2)	
2	1	*PBKIT	22 Series Push Bar Retrofit Kit - 3' Door	X
2	1	*PBKIT	22 Series Push Bar Retrofit Kit - 4' Door	X
3	1	109012	22 Rim Center Case Less Cover	
4	1	968601	22 Mechanism Case End Cap	
5	2	090037	Baseplate Screw (Pkg of 10)	
6	2	964013	3/8" x 3/16" x 3/32" Washer	
7	1	050529	22 Series Control Link Pin & Ret. Ring	
8	1	090107	Ret. Ring Pkg/10	
9	1	090031	Control Link Pin Pkg/10	
10	1	968592	Cover Plate Bearing Insert	
11	1	968595	22/2227 Cover Plate - 3' Dr	X
11	1	968596	22/2227 Cover Plate - 4' Dr	X
12	1	900981	22 End Cap Kit	
13	1	970035	22 Mechanism Case - 3' Dr	X
13	1	970036	22 Mechanism Case - 4' Dr	X
14	2	966268	Touch Bar Cover Bearing Insert	
15	1	968598	22 Push Bar End Cap	
16	1	968603	22/22-F Center Case Cover	X
17	2	090077	22 Series Center Case Cover Screw Pkg/4	X
18	2	964520	22 End Cap Screw	
19	1	966268	Touch Bar Cover Bearing Insert	

X in "Finish" column designates finished items; finish must be specified when ordering.

\* To order, specify device type, size, and finish. Example: PBKIT 22 3' SP28

# 22-F RIM FIRE DEVICE



## 22-F RIM FIRE DEVICE

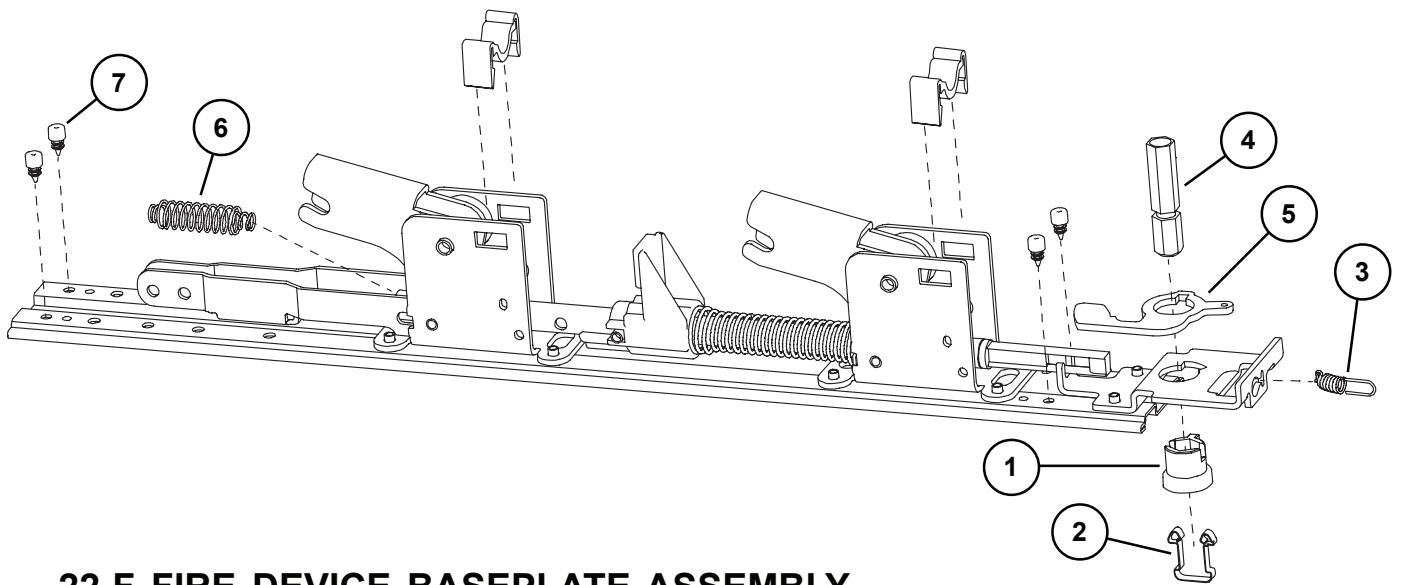
Item No.	Quantity	Part No.	Description	Finish
	1	900561	22 Series Mounting Pkg. (1-3/4 & 2-1/4)	
1	1	*PBKIT	22 Series Push Bar Retrofit Kit - 3' Door	X
1	1	*PBKIT	22 Series Push Bar Retrofit Kit - 4' Door	X
2	1	109915	22-F Rim Center Case Less Cover	
3	1	968601	22 Mechanism Case End Cap	
4	2	090037	Baseplate Screw (Pkg of 10)	
5	2	964013	3/8" x 3/16" x 3/32" Washer	
6	1	050529	22 Series Control Link Pin & Ret. Ring	
7	1	090107	Ret. Ring Pkg/10	
8	1	090031	Control Link Pin Pkg/10	
9	1	968592	Cover Plate Bearing Insert	
10	1	969127	22/2227-F Cover Plate - 3' Dr	X
10	1	969126	22/2227-F Cover Plate - 4' Dr	X
11	1	900981	22 End Cap Kit	
12	1	970035	22 Mechanism Case - 3' Dr	X
12	1	970036	22 Mechanism Case - 4' Dr	X
13	2	966268	Touch Bar Cover Bearing Insert	
14	1	968598	22 Push Bar End Cap	
15	1	968603	22/22-F Center Case Cover	X
16	2	090077	22 Series Center Case Cover Screw Pkg/4	X
17	2	964520	22 End Cap Screw	
18	1	966268	Touch Bar Cover Bearing Insert	

X in "Finish" column designates finished items; finish must be specified when ordering.

\* To order, specify device type, size, and finish. Example: PBKIT 22 3' SP28

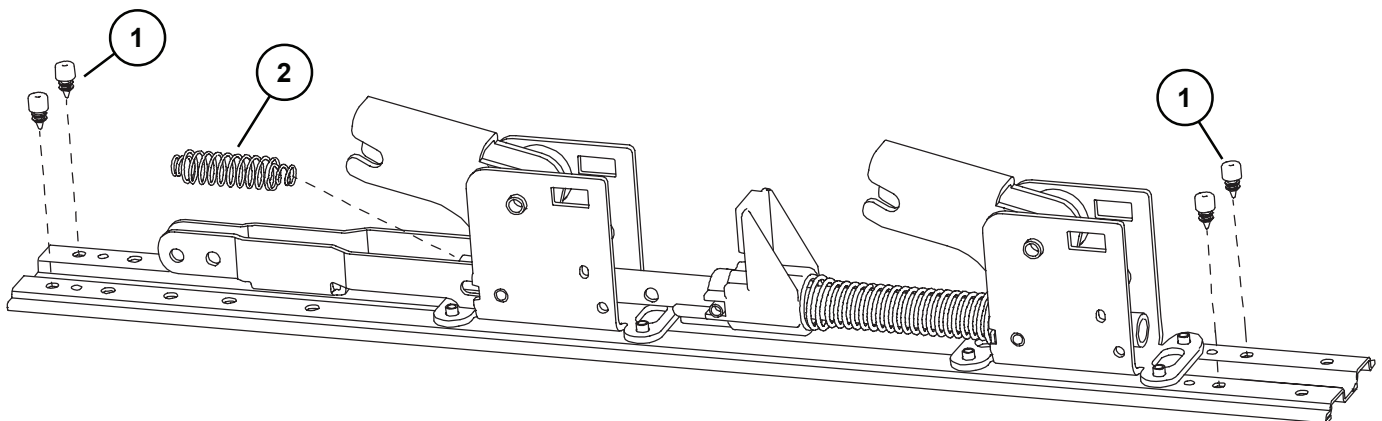
## 22 RIM PANIC DEVICE BASEPLATE ASSEMBLY

Item No.	Quantity	Part No.	Description	Finish
1	1	090043	Dogging adapter (Pkg of 2)	
2	1	090042	Dogging adapter spring (Pkg of 2)	
3	1	090041	Dogging spring (Pkg of 2)	
4	1	090040	Hex dogging shaft (Pkg of 2)	
5	1	090044	Dogging hook (Pkg of 2)	
6	1	090039	Latch return spring (Pkg of 10)	
7	4	090038	Rubber bumper (Pkg of 4)	
8	2	090048	Baseplate Bearing Strip (Pkg of 2)	



## 22-F FIRE DEVICE BASEPLATE ASSEMBLY

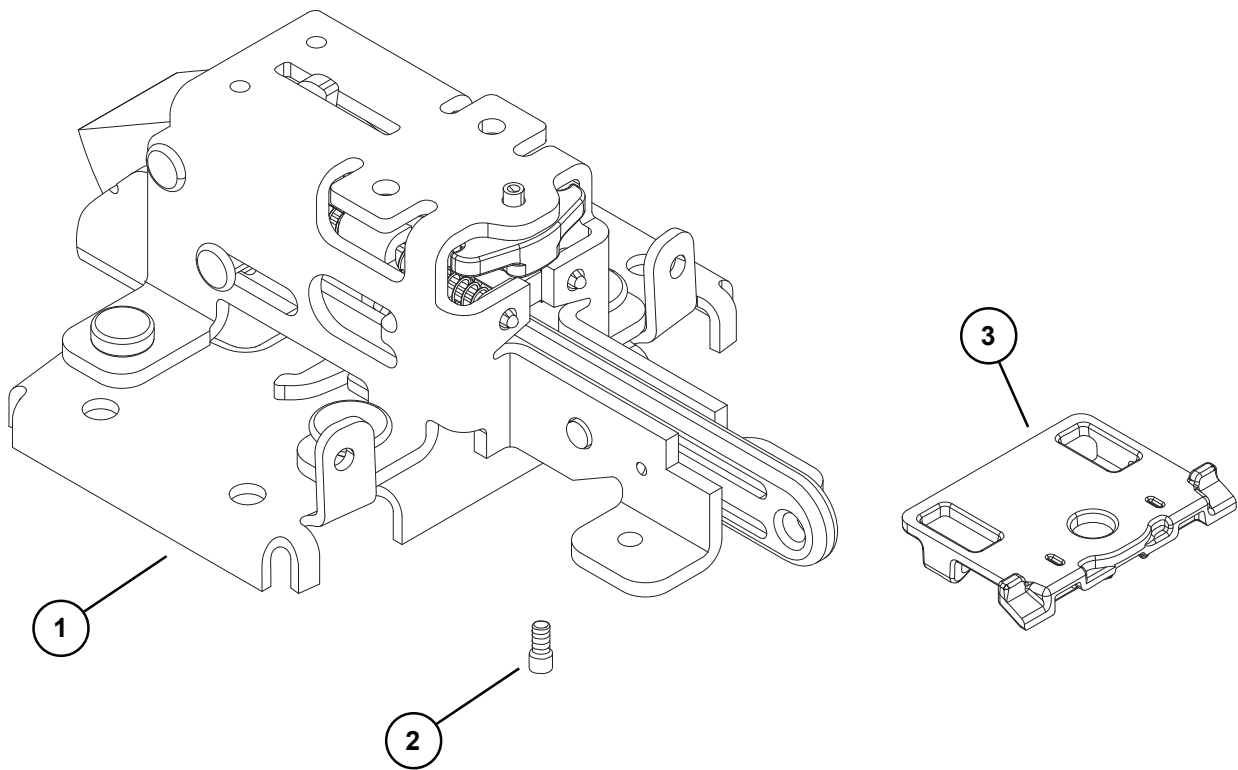
Item No.	Quantity	Part No.	Description	Finish
1	4	090038	Rubber bumper (Pkg of 4)	
2	1	090039	Latch return spring (Pkg of 10)	





## 22 PANIC & 22-F FIRE DEVICE CENTER CASE ASSEMBLY

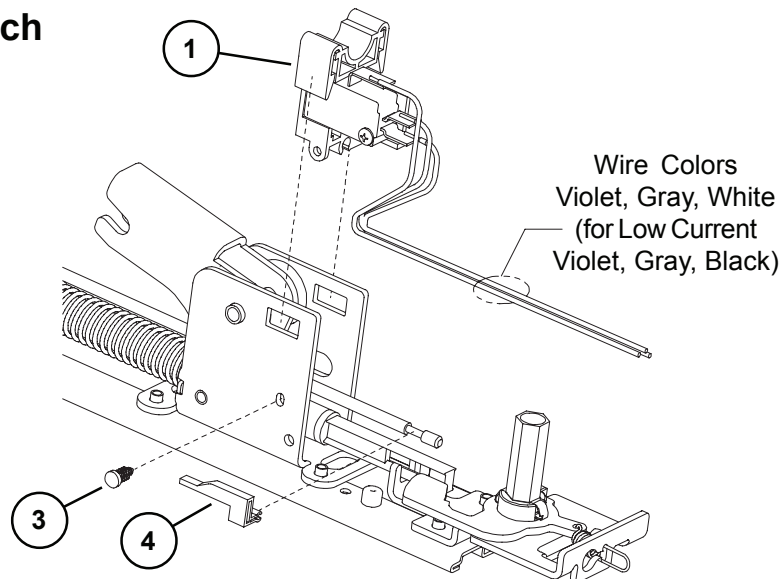
Item No.	Quantity	Part No.	Description	Finish
1	1	109012	22 Rim Center Case Less Cover	
1	1	109915	22-F Center Case Less Cover	
2	1	090074	NL Drive Screw (Pkg of 10)	
3	1	965409	22/2227 Pushbar Stop	



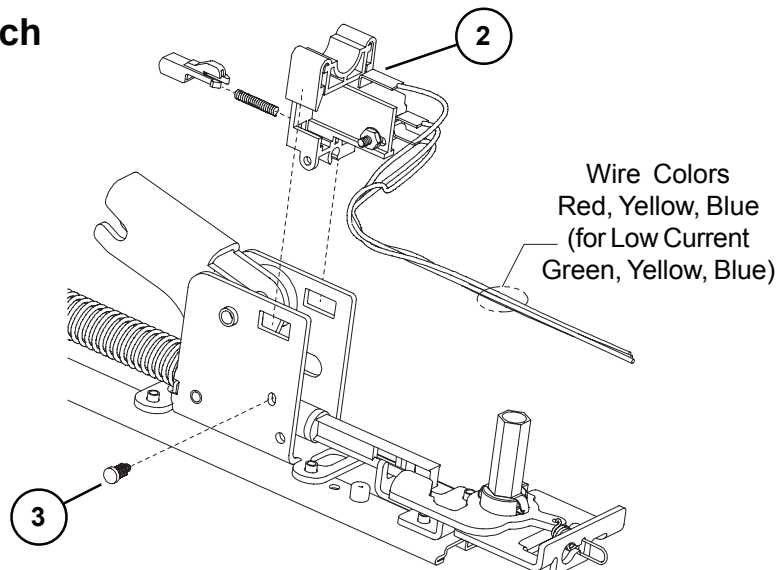
## 22 SERIES LX (LATCH BOLT MONITOR) & RX (REQUEST TO EXIT) OPTIONS

Item No.	Quantity	Part No.	Description	Finish
1	1	050254	LX Switch Kit 3' Device	
1	1	050255	LX Switch Kit 4' Device	
1	1	050283	LX-LC (Low Current) Switch Kit 3' Device	
1	1	050285	LX-LC (Low Current) Switch Kit 4' Device	
2	1	050251	RX Switch Kit	
2	1	050281	RX-LC (Low Current) Switch Kit	
3	1	090099	Pine Tree Clip (Pkg of 10)	
4	1	971091	LX Actuator	

### LX Switch



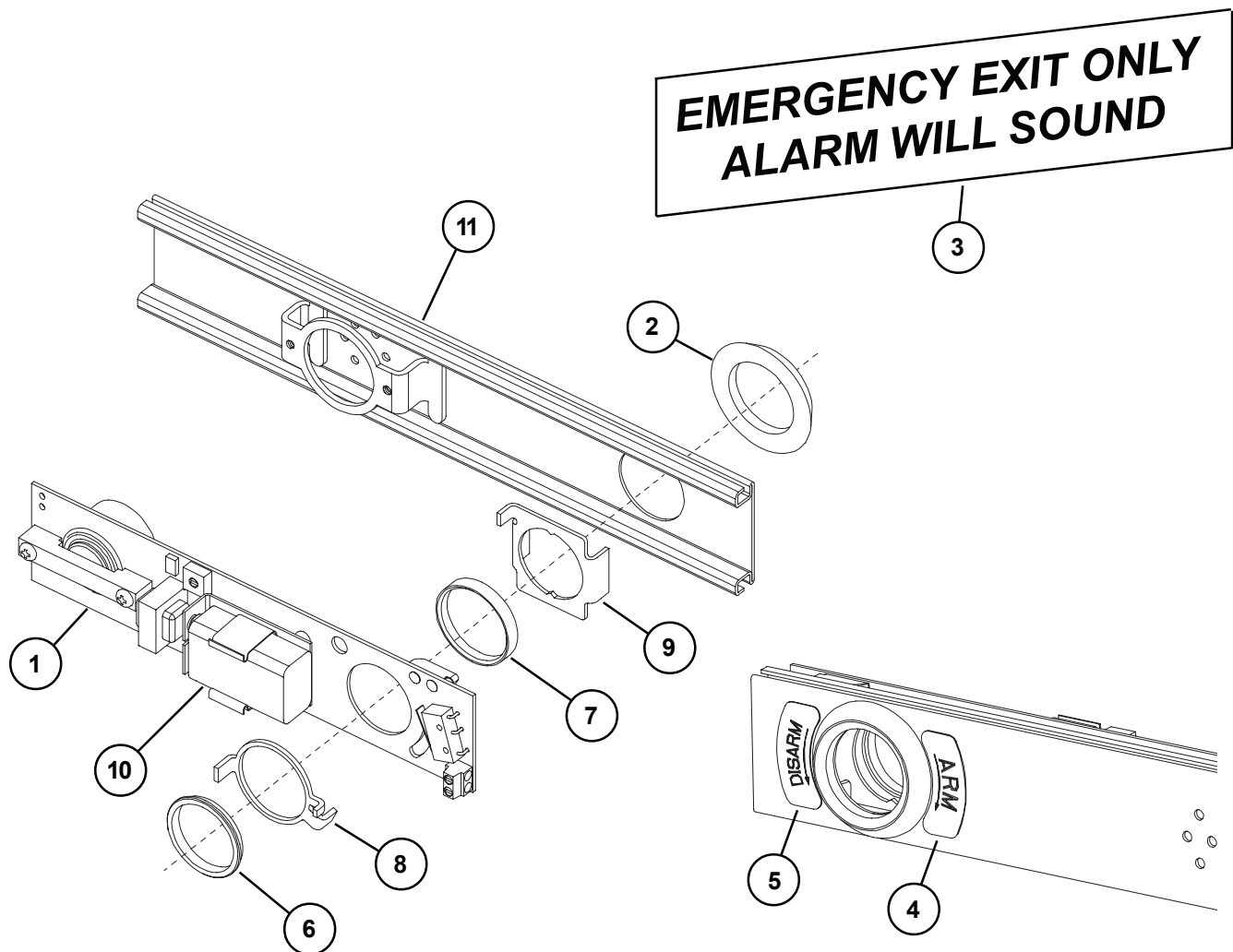
### RX Switch



## 22 ALK EXIT ALARM KIT

Item No.	Quantity	Part No.	Description	Finish
1	1	111795	ALK PCB Assembly	
2	1	967704	Cylinder Collar	X
3	1	969122	ALK Alarm Device Sign	
4	1	969349	ALK Arming Label	
5	1	969350	ALK Disarming Label	
6	1	969354	Retainer Nut	
7	1	970594	ALK Cylinder Spacer	
8	1	971556	ALK Switch Actuator	
9	1	971557	ALK Cylinder Bracket	
10	1	990637	ALK Battery	
11	1	971470	22 ALK Cover Plate - 3' Dr	X
11	1	971471	22 ALK Cover Plate - 4' Dr	X

X in "Finish" column designates finished items; finish must be specified when ordering.



## About Allegion

Allegion (NYSE: ALLE) creates peace of mind by pioneering safety and security. As a \$2 billion provider of security solutions for homes and businesses, Allegion employs more than 9,500 people and sells products in more than 130 countries across the world. Allegion comprises 25 global brands, including strategic brands CISA®, Interflex®, LCN®, Schlage® and Von Duprin®.

For more, visit [www.allegion.com](http://www.allegion.com).

*aptiQ* ■ LCN ■ **SCHLAGE** ■ STEELCRAFT ■ VON DUPRIN