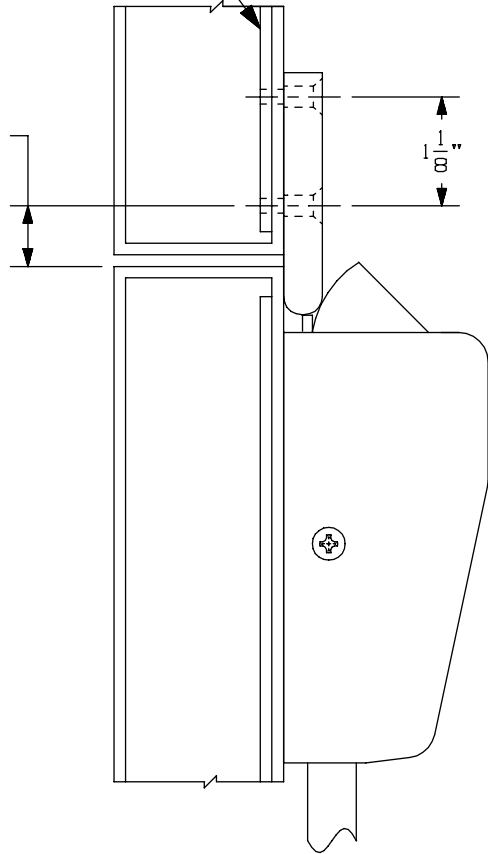


REINFORCE FOR STRIKE

8 1/8"

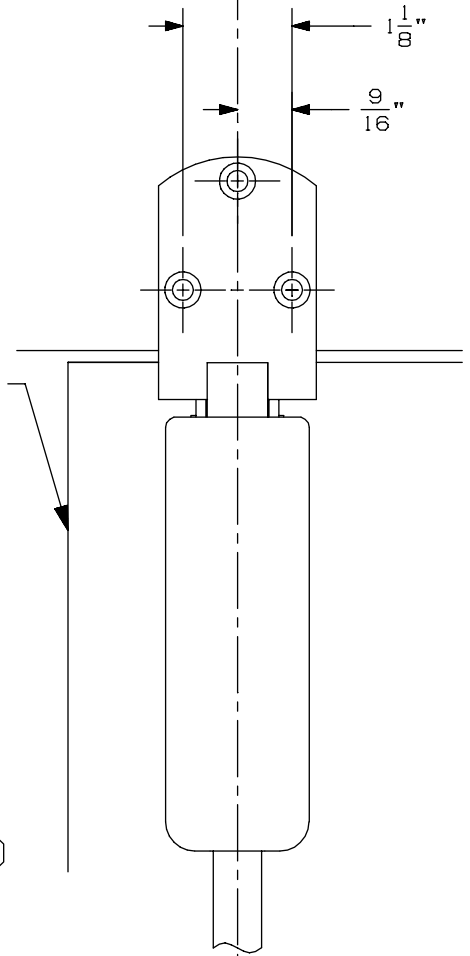


LATCH CASE ③

1 1/8"

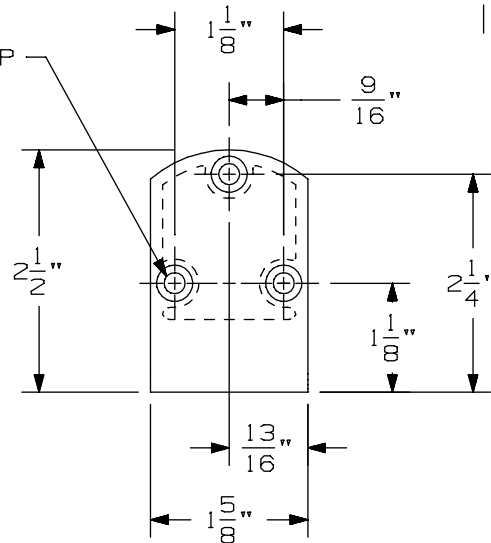
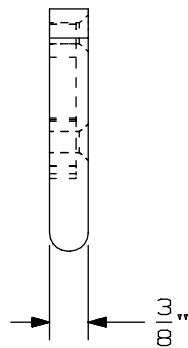
9/16"

EDGE OF DOOR



NOT HANDED

#10-24 TAP
3 HOLES



260U Vertical Strike

VON DUPRIN®

NOTES: Latch case mounting holes to be prepared at installation on door

TEMPLATE
NUMBER:

30007_a

DATE:
05-23-13