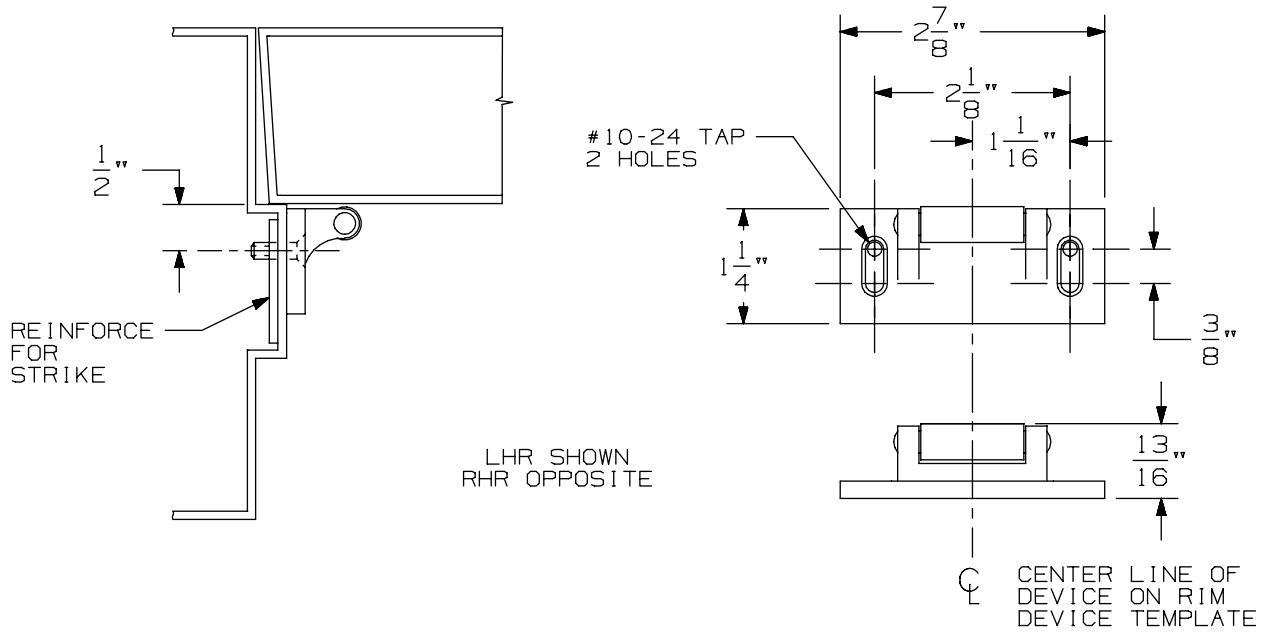
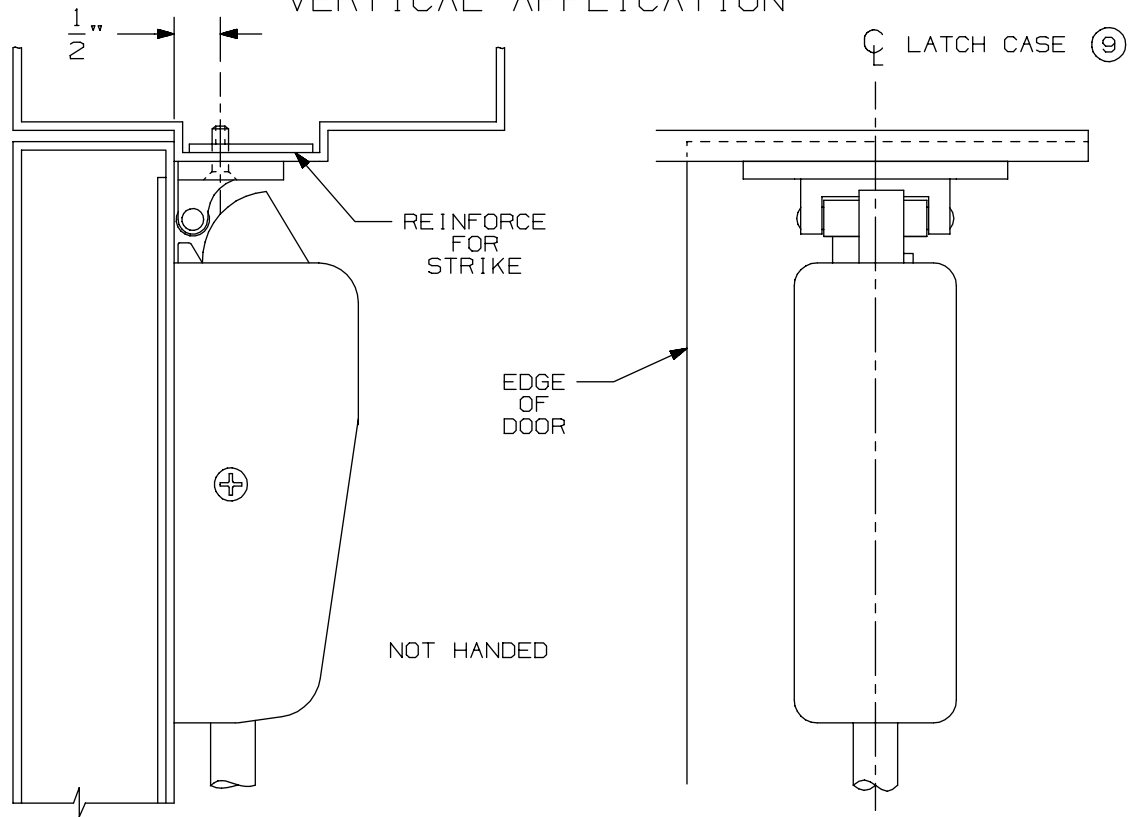


RIM APPLICATION



VERTICAL APPLICATION



NOTE: LATCH CASE MOUNTING HOLES TO BE PREPARED AT INSTALLATION ON DOOR.

299 & 299F Strike

VON DUPRIN®

NOTES: SEE MASTER SHEET #10001 FOR SUGGESTED REINFORCING

TEMPLATE
NUMBER:

30039_a

DATE:
05-23-13