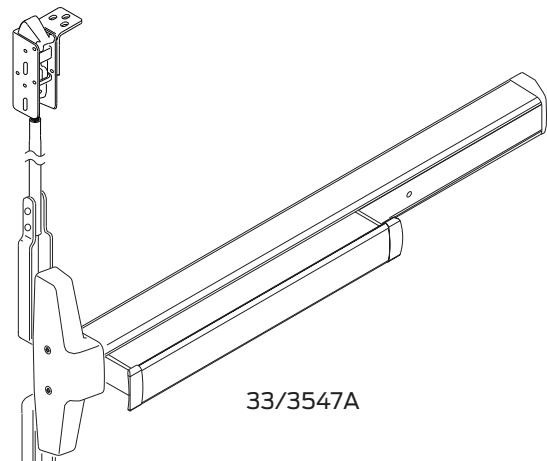


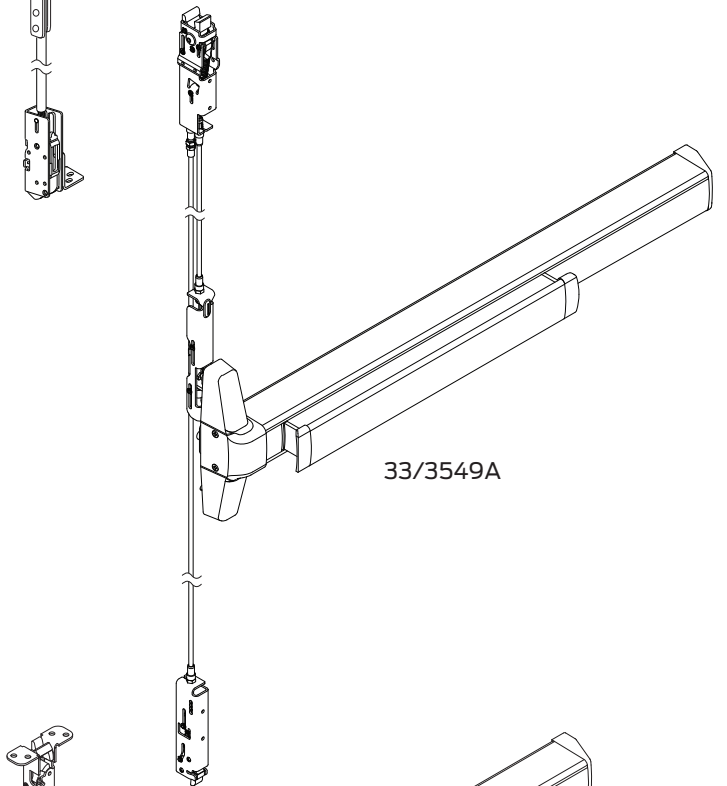
**VON DUPRIN.**

33/3547A,  
33/3549A,  
& 33/3550A  
Series Exit  
Devices

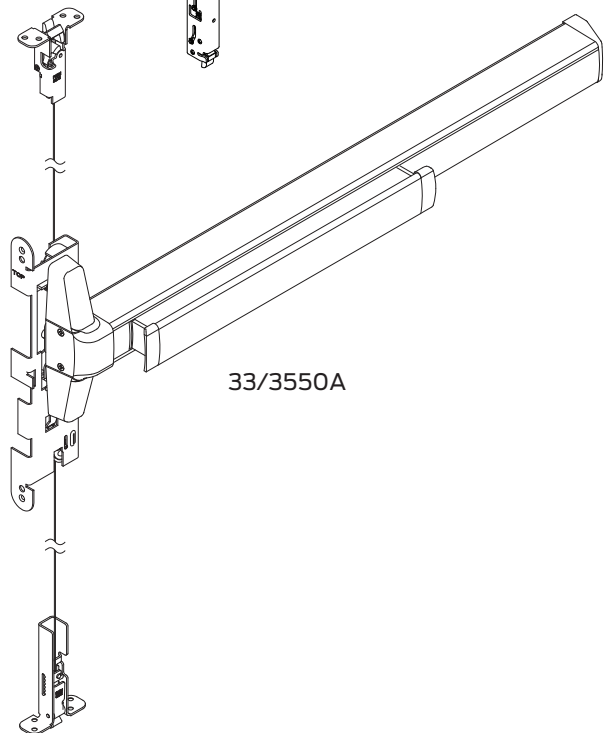
Service manual



33/3547A



33/3549A



33/3550A

# INDEX

## 33/3547A, 33/3549A, & 33/3550AWDC Devices

Basic Device .....	4-5
Panic Concealed Vertical Rods and Latches .....	6-7
Fire Concealed Vertical Rods and Latches .....	8-9
Panic and Fire Aluminum and Metal Door Concealed Vertical Cables and Latches .....	10-11
Panic and Fire Wood Door Concealed Vertical Cables and Latches .....	12-13
LBR (Less Bottom Rod) / LBL (Less Bottom Latch) Fire Latch Kit .....	14
Baseplate Assembly .....	15

## Variations of the Basic Device

CD (Cylinder Dogging) .....	4-5
HD-EL (Hex Dogging/Electric Latch Retraction) .....	16
EL (Electric Latch Retraction) .....	17
SS (Signal Switch) .....	17
RX (Request to Exit) .....	18-19
LX (Latch Bolt Monitoring) .....	18-19
ALK (Exit Alarm Kit) .....	20

## General Information

Introduction .....	2
How to Order .....	2
Part Number Changes .....	2
Finishes .....	3
Outside Trim Functions .....	3
Strikes .....	3

# INTRODUCTION

This manual contains a listing of replaceable parts and assemblies for the 33/3547A Concealed Vertical Rod Exit Devices and the 33/3549A / 33/3550AWDC Concealed Vertical Cable Exit Devices. 33 Series and 35 Series devices are almost identical. The 33 Series has a grooved case; the 35 series has a smooth case.

# HOW TO ORDER

Some parts are sold separately. Other items are available as part of a kit or multiple quantity package. For the best possible service when ordering replacement parts or assemblies, please provide the following information:

- Part number or assembly number
- Description
- Quantity Needed
- Finish desired (if available finished)
- Date of original purchase (if known)

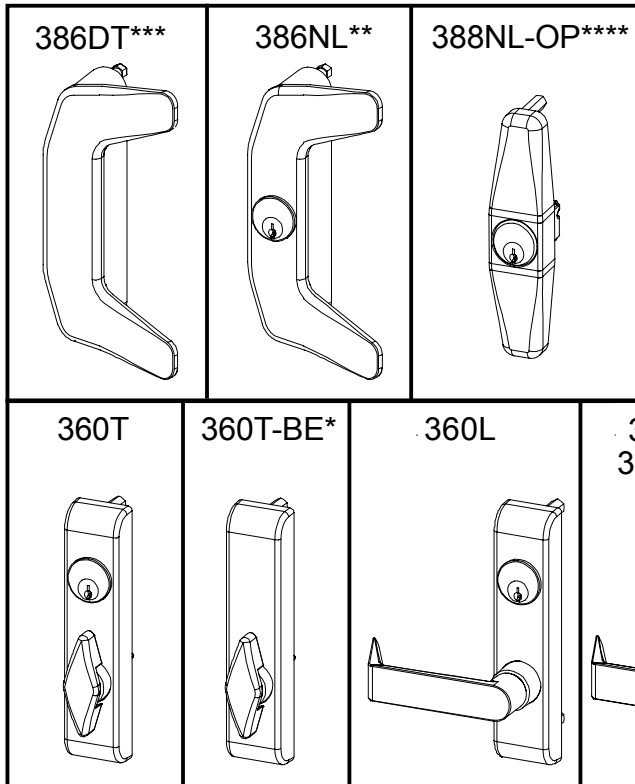
To find out the name of your local Von Duprin distributor or sales representative, contact:

Von Duprin Division  
Allegion  
2720 Tobey Drive  
Indianapolis, IN 46219  
Phone: (877) 671-7011

# PART NUMBER AND AVAILABILITY CHANGES

This manual was designed to help illustrate the replacement parts and kits that are available for sale. Because of changes to the product and/or manufacturing process, part numbers and availability can change over time.

## OUTSIDE TRIM FUNCTIONS



## 33A/35A SERIES FINISHES

U.S. Std Reference	BHMA Reference	Description
US3	605	Polished Brass
US4	606	Dull Brass
US10	612	Dull Bronze
US15	619	Satin Nickel
US26	625	Polished Chrome
US26D	626	Dull Chrome
US28	628	Anodized Alum. (Clear)
313AN	710	Anodized Alum. (313) Dark Bronze
315AN	711	Anodized Alum. (Black)

- \* "BE" (Blank Escutcheon) no cylinder used - lever always active
- \*\* "NL" (Night Latch) rigid lever - key retracts latch bolt
- \*\*\* "DT" (Dummy Trim) rigid lever for pull operation
- \*\*\*\* "NL-OP" (Optional Pull) needs to be added

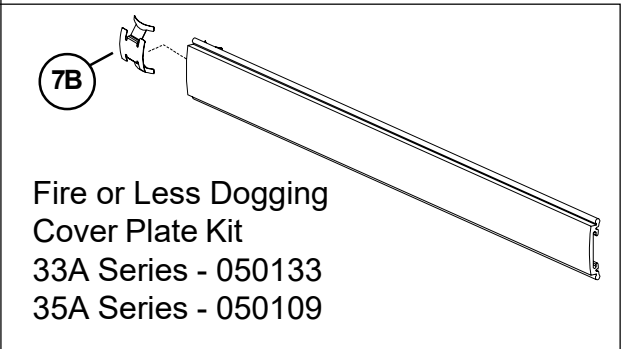
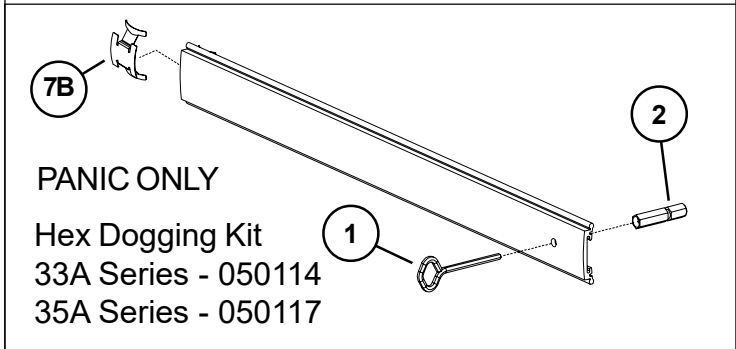
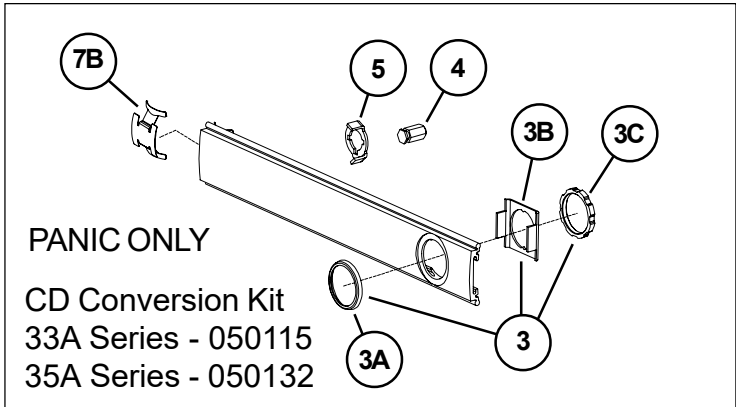
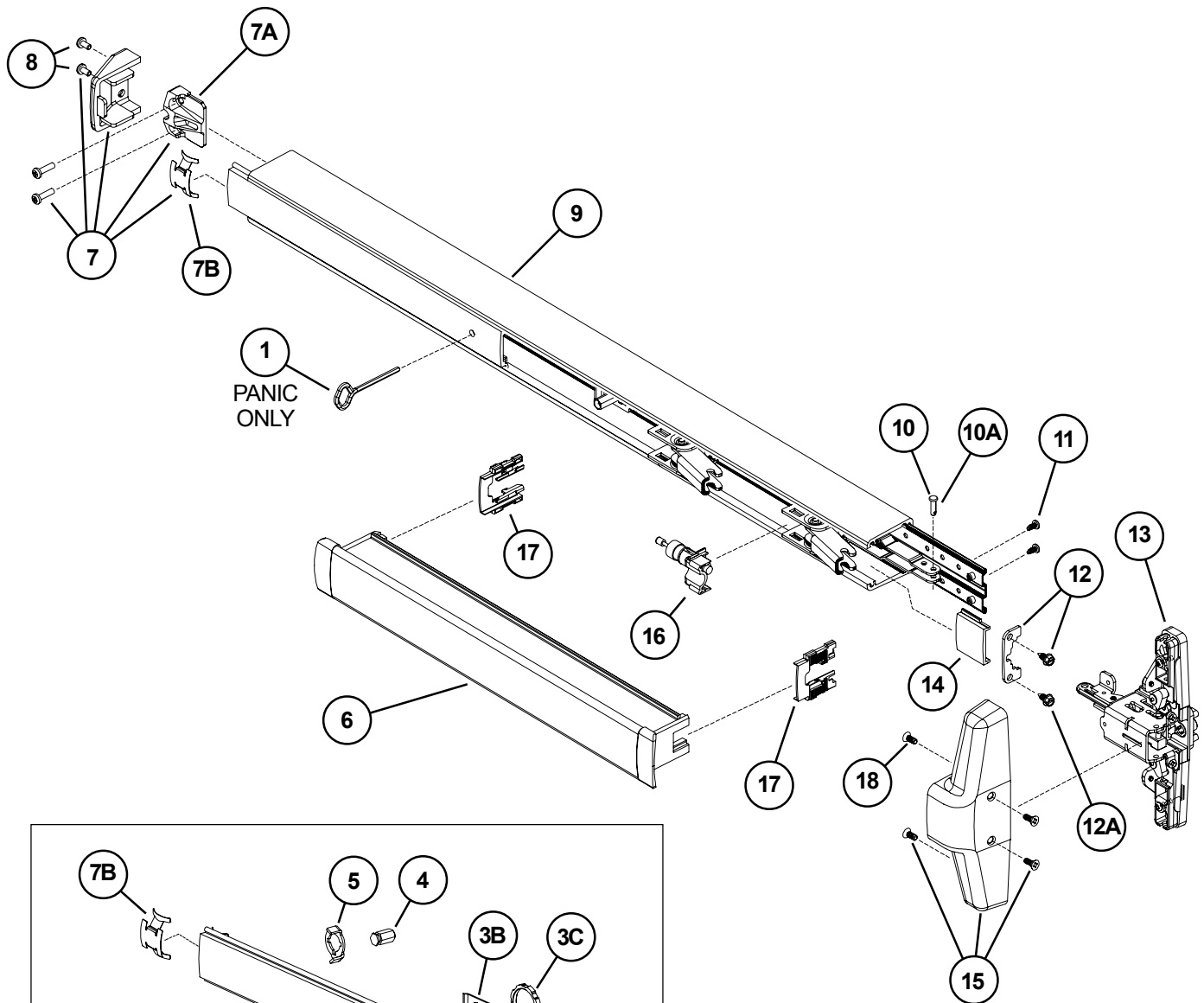
## 33/3547A STRIKES

## 33/3549A STRIKES

## 33/3550A STRIKES

<p>Screw Pkg 900285</p> <p><b>338 Strike (Top)</b> Standard Panic or Fire Exit Hardware</p>	<p><b>385A Strike (Bottom)</b> Panic or Fire Exit Hardware</p>	<p><b>24007411</b> <b>349 Bottom Strike Kit</b> Standard Panic or Fire Exit Hardware</p>	<p>Includes top latch mounting screws</p> <p><b>23945223</b> <b>249 Top Strike Kit</b> Standard Panic or Fire Exit Hardware</p>	<p>Includes shims and top latch mounting screws</p> <p><b>24665002</b> <b>150 Top Strike Kit</b> Standard Panic or Fire Exit Hardware</p>
<p>Screw 964191</p> <p><b>283 Strike (Top)</b> Wood Frame</p>	<p><b>304L Strike (Bottom)</b> Panic or Fire Exit Hardware</p>	<p><b>3FP0116A001-GL</b> <b>338 Strike Filler Plate (Top)</b> used for 47 Series retrofit</p>	<p><b>47244841</b> <b>WDC Strike Filler Plate (Top)</b> used for 47 Series retrofit</p>	<p>Includes bottom latch mounting screws</p> <p><b>24664997</b> <b>450 Bottom Strike Kit</b> Standard Panic or Fire Exit Hardware</p>

**33/3547A & 33/3549A PANIC DEVICE  
33/3547A-F & 33/3549A-F FIRE DEVICE**



**33/3547A & 33/3549A PANIC DEVICE  
33/3547A-F & 33/3549A-F FIRE DEVICE**

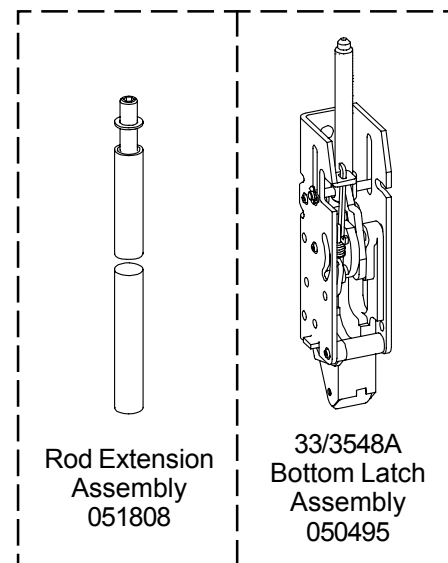
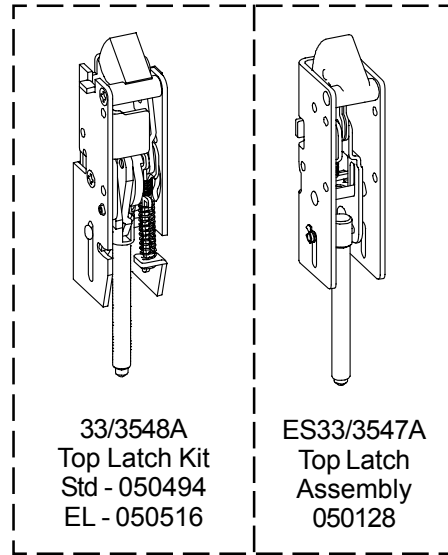
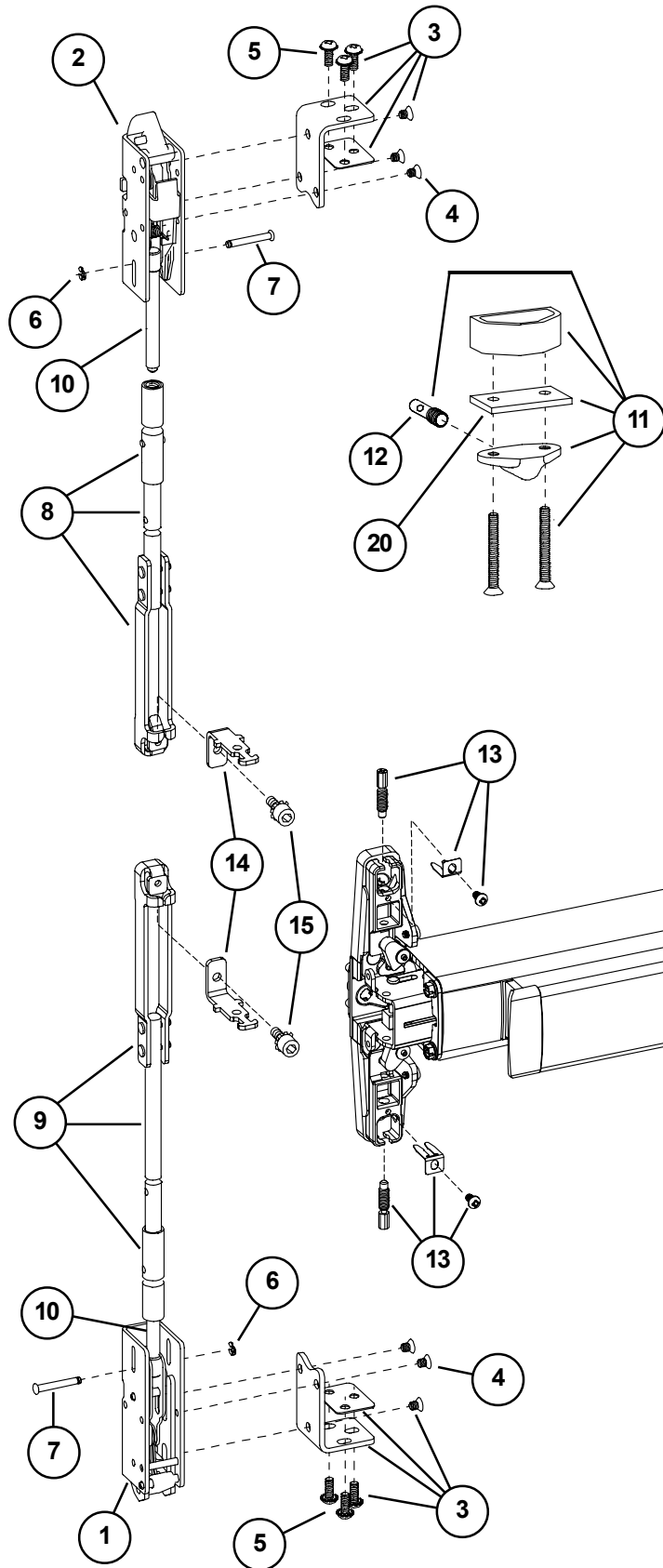
Item No.	Quantity	Part No.	Description	Finish
	1	900619	33A/35A Series Mounting Pkg. (1-3/4 & 2-1/4)	
1	1	090085	227 Dog Key 5/32" Hex (Pkg of 10)	
1	1	090005	227 Dog Key 5/32" Hex (Pkg of 2)	
2	1	090040	Hex Dog Shaft (Pkg of 2)	
3	1	107813	Cylinder Mounting Pkg	X
3A	1	050525	Cylinder Collar	X
3B	1	050490	Cylinder Locating Washer - CD/SS	
3C	1	050526	Cylinder Locknut	
4	1	090046	CD Dogging Plug (Pkg of 2)	
5	1	090045	CD Actuator Arm (Pkg of 2)	
6	1	*PBKIT	33A/35A Series Push Bar Retrofit Kit - 3' Door	X
6	1	*PBKIT	33A/35A Series Push Bar Retrofit Kit - 4' Door	X
7	1	050014	33A/35A Series End Cap Kit	X
7A	1	050524	Impact Resistant End Cap Bracket	
7B	1	090036	Cover Plate Anti-rattle Spring (Pkg of 10)	
8	1	900597	Device End Cap and C/Case Screw Pkg.	X
9	1	050486	33A Series Mechanism Case - 3' Door	X
9	1	050487	33A Series Mechanism Case - 4' Door	X
9	1	050488	35A Series Mechanism Case - 3' Door	X
9	1	050489	35A Series Mechanism Case - 4' Door	X
10	1	050529	Control Link Pin	
10A	1	090031	Control Link Pin (Pkg of 10)	
11	2	090037	#8-32 x 3/8" Baseplate Screw (Pkg of 10)	
12	1	050530	Mechanism Case Bracket Kit	
12A	2	090073	Mechanism Case Bracket Screw (Pkg of 10)	
13**	1	050405	33/3547A & 33/3549A C/Case Less Cover	
14	1	050474	33A Series Cover Plate - Center Case Side	X
14	1	050475	35A Series Cover Plate - Center Case Side	X
15	1	050485	33/3547A & 33/3549A C/Case Cover Kit	X
16	1	050491	Shock Absorber & Holder Assembly	
17	2	090049	Push Bar Guide (Pkg of 10)	
18	4	900892	Center Case Cover Screws (Pkg of 4)	X

X in "Finish" column designates finished items; finish must be specified when ordering.

\* To order, specify device type, size, and finish. Example PBKIT 33A 3' US28

\*\* Device mounting screws 900619 included

# 33/3547A PANIC VERTICAL RODS AND LATCHES



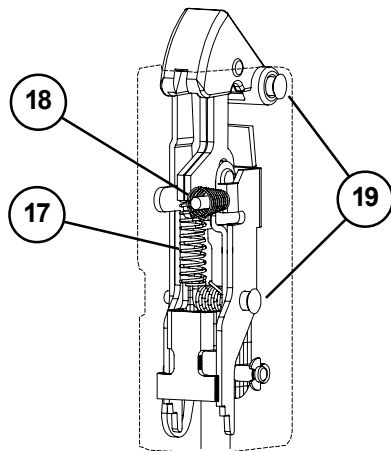
## 33/3547A PANIC VERTICAL RODS AND LATCHES

Item No.	Quantity	Part No.	Description	Finish
*	1	050047	33/3548A Latch Retrofit Kit (non EL)	
*	1	050048	33/3548A-F Latch Retrofit Kit (non EL)	
*	1	050522	EL33/3548A Latch Retrofit Kit	
*	1	050523	EL33/3548A-F Latch Retrofit Kit	
1**	1	050493	33/3547A Bottom Latch Kit	
2**	1	050492	33/3547A Top Latch Kit	
3	2	109324	33/3547A Latch Mtg Bracket Kit	
3	2	112868	33/3548A Latch Mtg Bracket Kit	
4	6	090059	Latch Bracket Mtg Screw (Latch)	
5	6	090061	Latch Bracket Mtg Screw (Metal Door)	
5	6	900856	Latch Bracket Mtg Screw (Wood Door)	
6	2	090063	Retaining Ring (Pkg of 10)	
7	2	090064	Latch Link Pin (Pkg of 10)	
8	1	050519	Adjustable Top Rod 6'8" - 8'4" Door	
9	1	050520	Adjustable Bottom Rod Kit	
10	2	090071	33/3547A Rod Connecting Screw	
10	2	090072	33/3548A Rod Connecting Screw	
11	1	106222	Ratchet Release Pkg	X
12	1	090070	Ratchet Release Screw	
13	2	900620	Rod Adjusting Pkg	
13	2	900898	33/3547A Adjusting Screw LBR Package	
14	2	969989	Rod Connector Extension Bracket	
15	2	972408	Rod Connector Screw	
16	1	090065	Bolt Return Spring	
17	1	090066	Top Latch Compression Spring (Pkg of 10)	
18	1	090069	Ratchet Lever Spring (Pkg of 2)	
19	1	090062	Btm Latch Case Spirol Pin (Pkg of 10)	
20	1	970978	33/3547A Ratchet Release Spacer 1/8"	

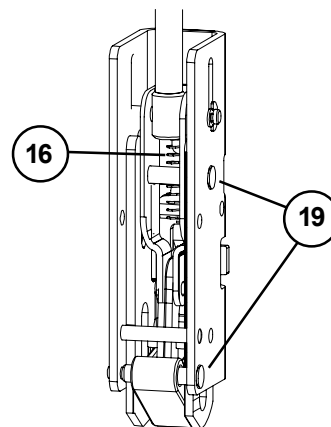
X in "Finish" column designates finished items; finish must be specified when ordering.

\*Retrofit kit includes items 1-3 to convert 33/3547A to 33/3548A.

\*\*Each latch kit (item 1-2) includes only one latch mtg bracket kit (item 3). For service replacement only. Refer to retrofit kits to convert 33/3547A to 33/3548A.

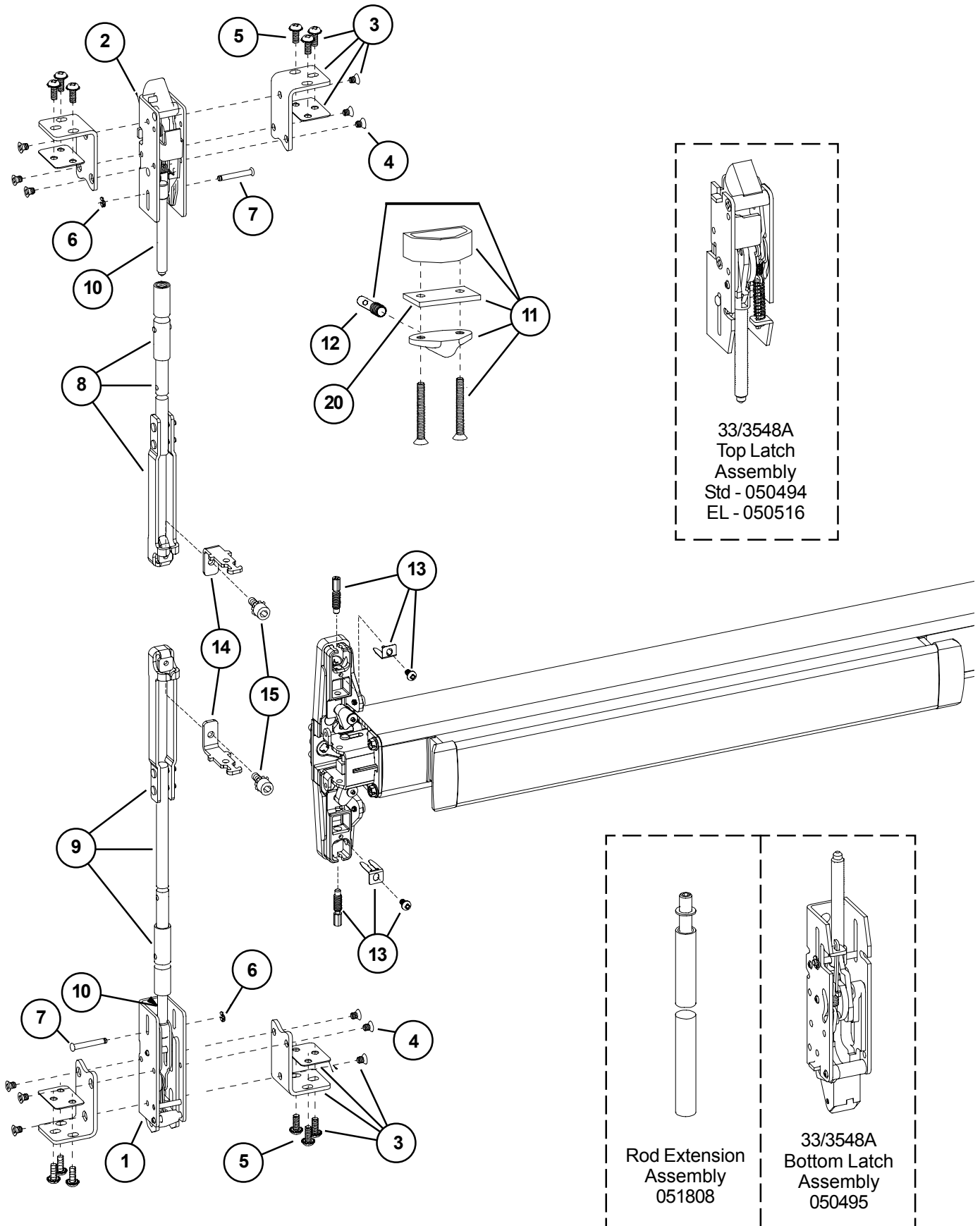


33/3547A Top Latch



33/3547A Bottom Latch

# 33/3547A-F FIRE VERTICAL RODS AND LATCHES





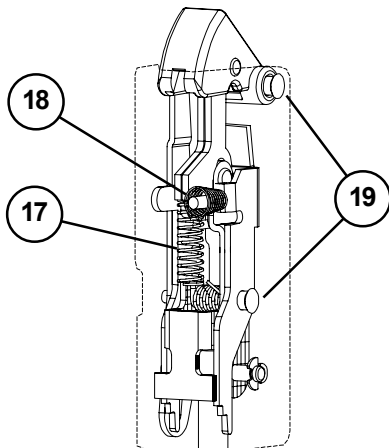
## 33/3547A-F FIRE VERTICAL RODS AND LATCHES

Item No.	Quantity	Part No.	Description	Finish
*	1	050047	33/3548A Latch Retrofit Kit-(non EL)	
*	1	050048	33/3548A-F Latch Retrofit Kit-(non EL)	
*	1	050522	EL33/3548A Latch Retrofit Kit	
*	1	050523	EL33/3548A-F Latch Retrofit Kit	
1**	1	050493	33/3547A Bottom Latch Kit	
2**	1	050492	33/3547A Top Latch Kit	
3	2	109324	33/3547A Latch Mtg Bracket Kit	
3	2	112868	33/3548A Latch Mtg Bracket Kit	
4	6	090059	Latch Bracket Mtg Screw (Latch)	
5	6	090061	Latch Bracket Mtg Screw (Metal Door)	
5	6	900856	Latch Bracket Mtg Screw (Wood Door)	
6	2	090063	Retaining Ring (Pkg of 10)	
7	2	090064	Latch Link Pin (Pkg of 10)	
8	1	050519	Adjustable Top Rod 6'8" - 8'4" Door	
9	1	050520	Adjustable Bottom Rod Kit	
10	2	090071	33/3547A Rod Connecting Screw	
10	2	090072	33/3548A Rod Connecting Screw	
11	1	106222	Ratchet Release Pkg	X
12	1	090070	Ratchet Release Screw	
13	2	900620	Rod Adjusting Pkg	
13	2	900898	33/3547A Adjusting Screw LBR Package	
14	2	969989	Rod Connector Extension Bracket	
15	2	972408	Rod Connector Screw	
16	1	090065	Bolt Return Spring	
17	1	090066	Top Latch Compression Spring (Pkg of 10)	
18	1	090069	Ratchet Lever Spring (Pkg of 2)	
19	4	090062	Btm Latch Case Spirol Pin (Pkg of 10)	
20	1	970978	33/3547A Ratchet Release Spacer	

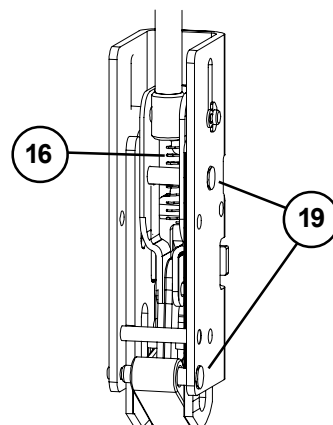
X in "Finish" column designates finished items; finish must be specified when ordering.

\*Retrofit kit includes items 1-3 to convert 33/3547A to 33/3548A.

\*\*Each latch kit (item 1-2) includes only one latch mtg bracket kit (item 3). For service replacement only. Refer to retrofit kits to convert 33/3547A to 33/3548A.

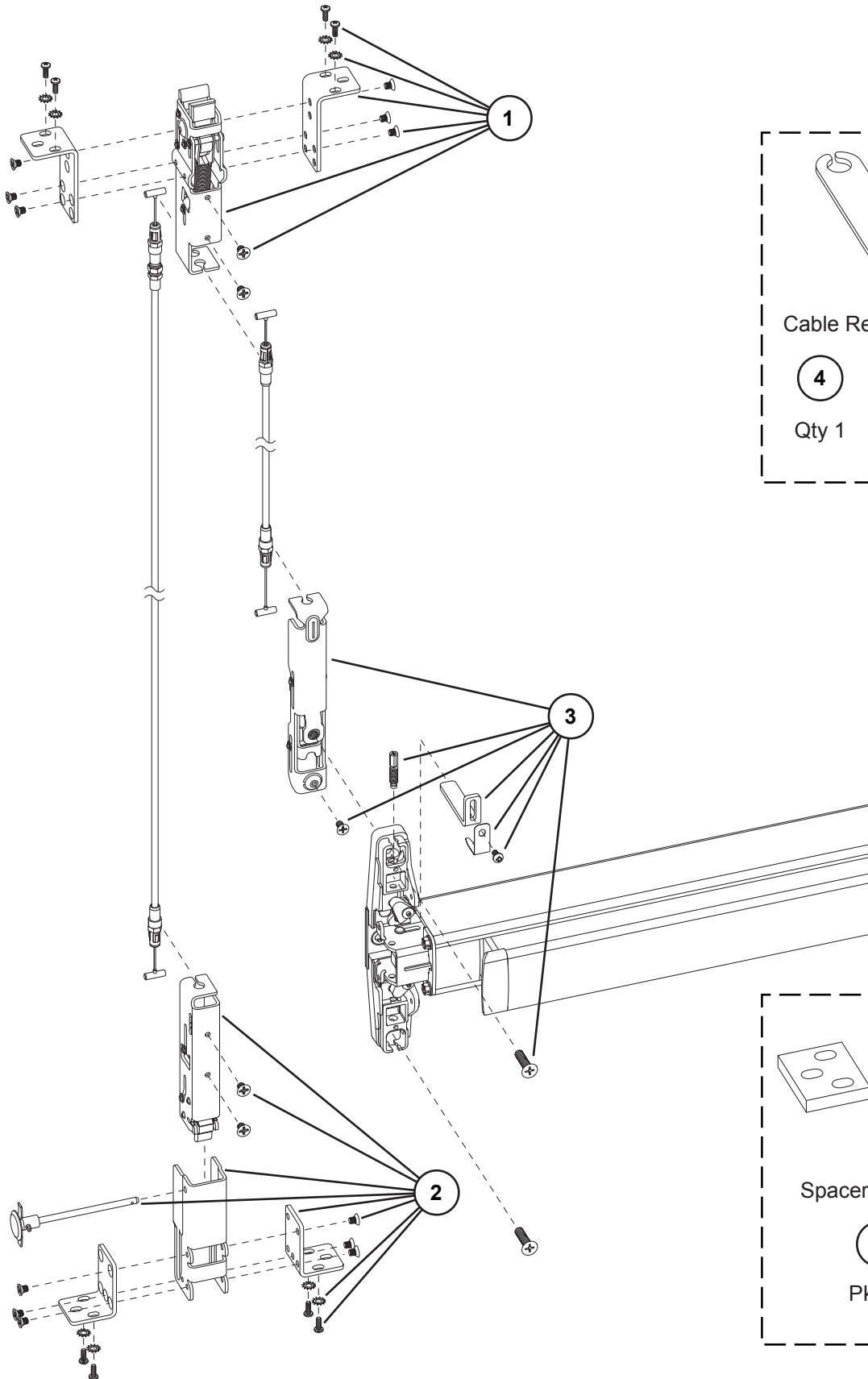


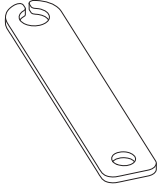
33/3547A Top Latch



33/3547A Bottom Latch

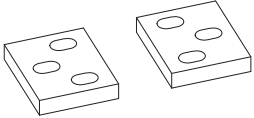
# 33/3549A & 33/3549-F VERTICAL CABLES AND LATCHES (ALUMINUM AND METAL DOOR)





Cable Removal Tool

<b>4</b> Qty 1	<b>5</b> Pkg of 10
-------------------	-----------------------



Spacer Block Kit

**6**

Pkg of 2

### 33/3549A & 33/3549A-F

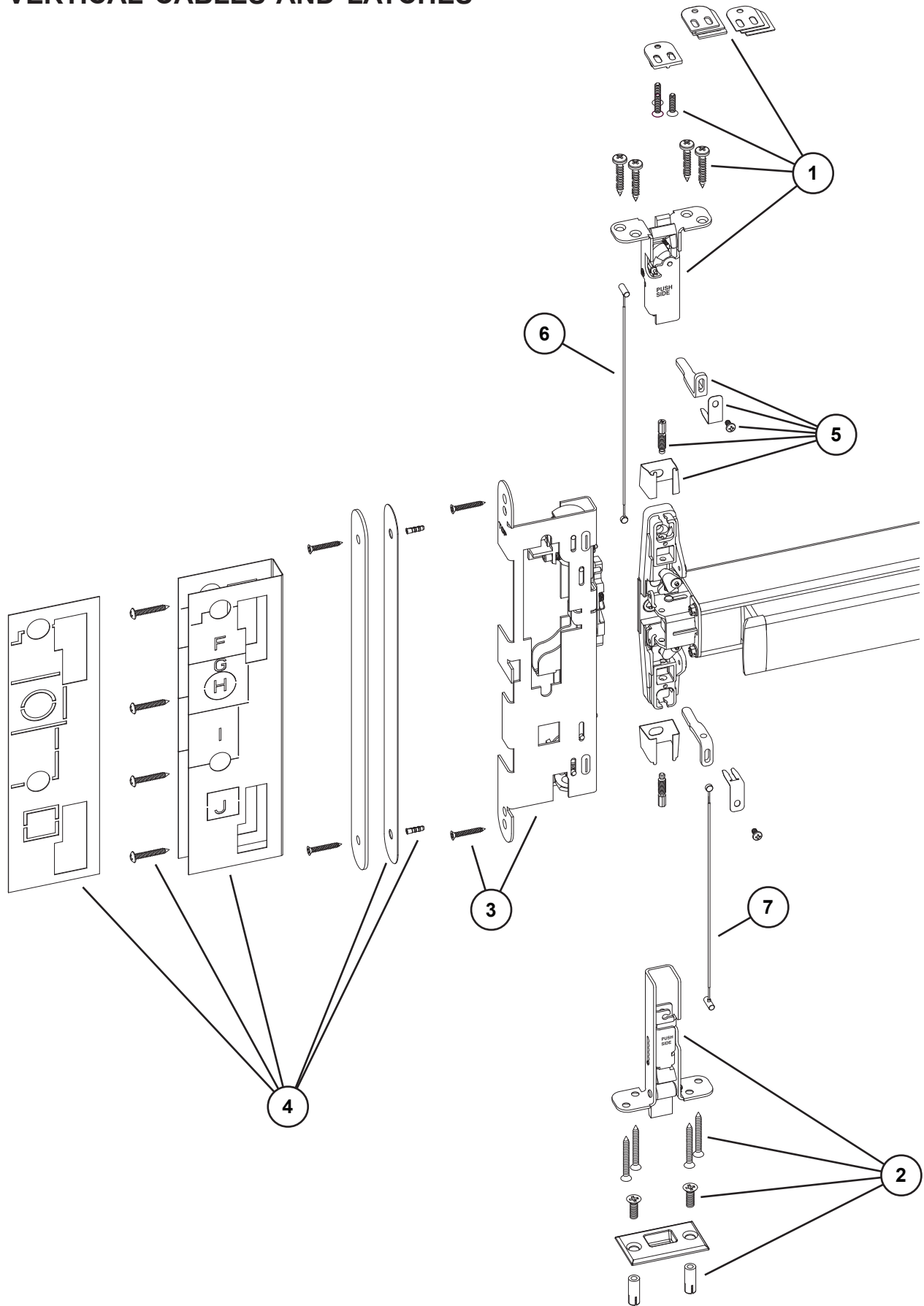
### VERTICAL CABLES AND LATCHES (ALUMINUM AND METAL DOOR)

Item No.	Quantity	Part No.	Description	Finish
1*	1	24090110	Top Latch Assembly	
2	1	24090128	Bottom Latch Assembly	
3	1	24090136	33/3549 Center Slide Assembly (Aluminum and Metal Door)	
4	1	24008773	Cable Removal Tool	
5	10	24090706	Cable Removal Tool (Pkg of 10)	
6	2	24231516	Spacer Block Kit (Pkg of 2)	

\*A cable removal tool is included with the assembly.

Each latch assembly includes two latch mounting brackets.

# 33/3550AWDC & 33/3550AWDC-F (WOOD DOOR CONCEALED) VERTICAL CABLES AND LATCHES

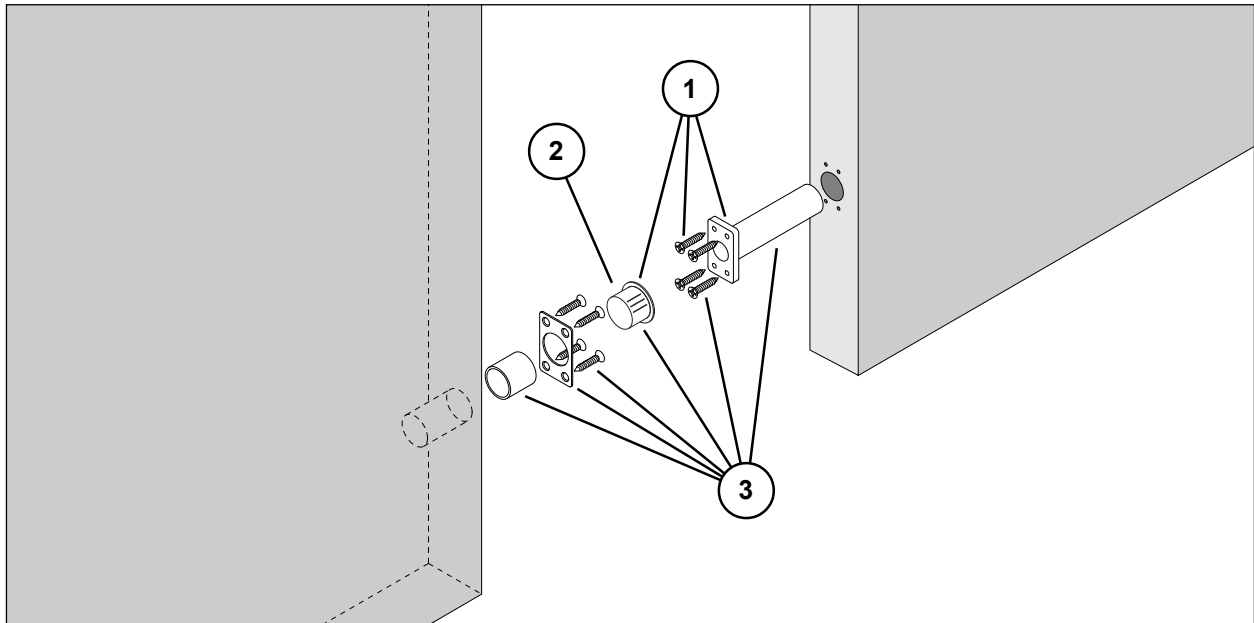


**33/3550AWDC & 33/3550AWDC-F (WOOD DOOR CONCEALED)  
VERTICAL CABLES AND LATCHES**

Item No.	Quantity	Part No.	Description	Finish
1	1	48968820	50WDC Top Latch Kit	
2	1	48968838	50WDC Bottom Latch Kit	
3	1	48973309	33/3550AWDC Center Slide Kit	
4	1	48968879	33/3550AWDC-F Fire Kit	
5	1	24685562	33/3550AWDC Lift Finger Kit	
6	1	24648180	Top Cable 6'8"-7'0" WDC	
6	1	24647273	Top Cable 7'1"-8'0" WDC	
6	1	24647281	Top Cable 8'1"-9'0" WDC	
6	1	24647299	Top Cable 9'1"-10'0" WDC	
7	1	24647265	Bottom Cable WDC	

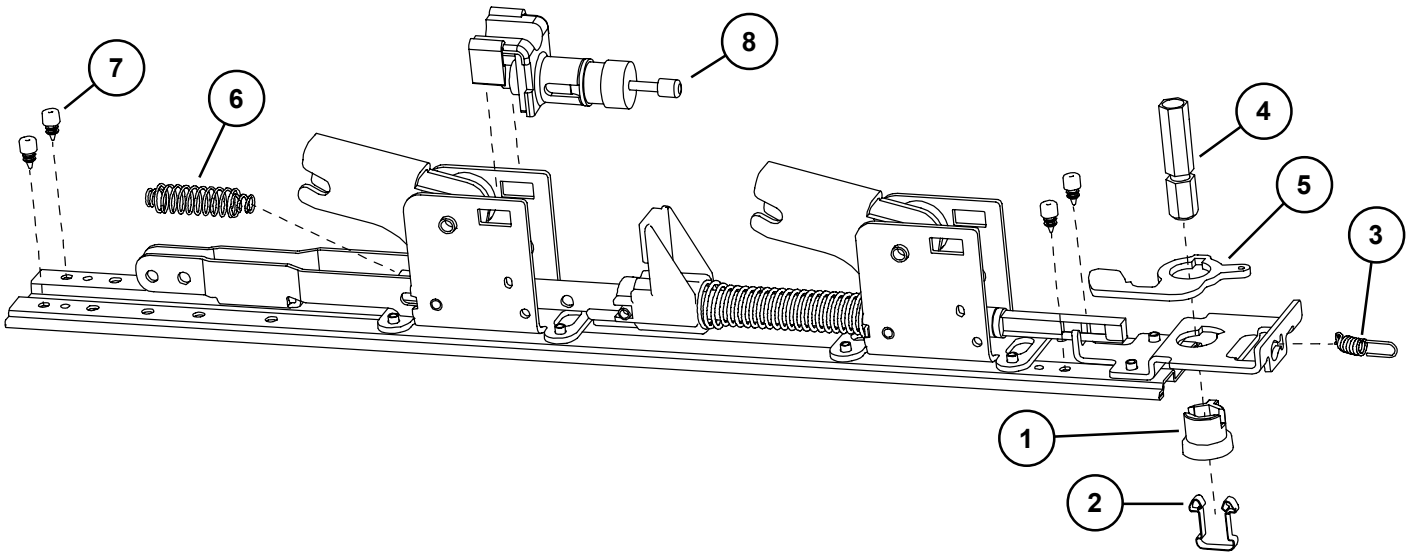
**33/3547-F LBR (LESS BOTTOM ROD)**  
**33/3549-F LBL (LESS BOTTOM LATCH)**  
**33/3550AWDC-F LBL (LESS BOTTOM LATCH)**  
**FIRE LATCH KIT**

Item No.	Quantity	Part No.	Description	Finish
1	1	051860	47/49 LBR/LBL Fire Pin Kit	
2	1	050509	LBR/LBL Fire Strike Plug	
3	1	48968887	50WDC LBL Fire Pin Kit	



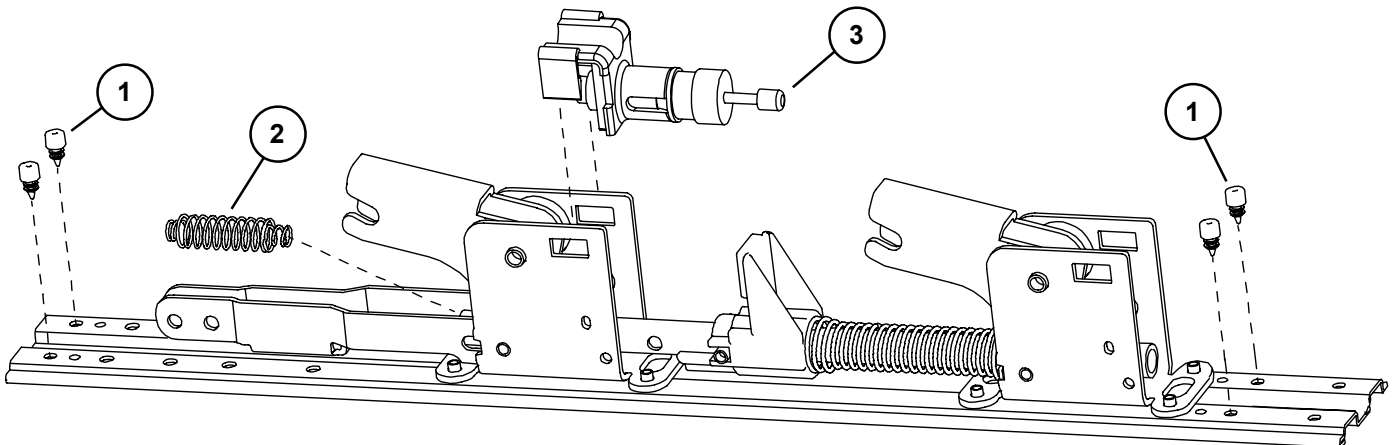
### 33/3547A, 33/3549A, & 33/3550A PANIC DEVICE BASEPLATE ASSEMBLY

Item No.	Quantity	Part No.	Description	Finish
1	1	090043	Dogging adapter (Pkg of 2)	
2	1	090042	Dogging adapter spring (Pkg of 2)	
3	1	090041	Dogging spring (Pkg of 2)	
4	1	090040	Hex dogging shaft (Pkg of 2)	
5	1	090044	Dogging hook (Pkg of 2)	
6	1	090039	Latch return spring (Pkg of 10)	
7	4	090038	Rubber bumper (Pkg of 4)	
8	1	050491	Shock absorber	



### 33/3547A-F, 33/3549A-F, & 33/3550A-F FIRE DEVICE BASEPLATE ASSEMBLY

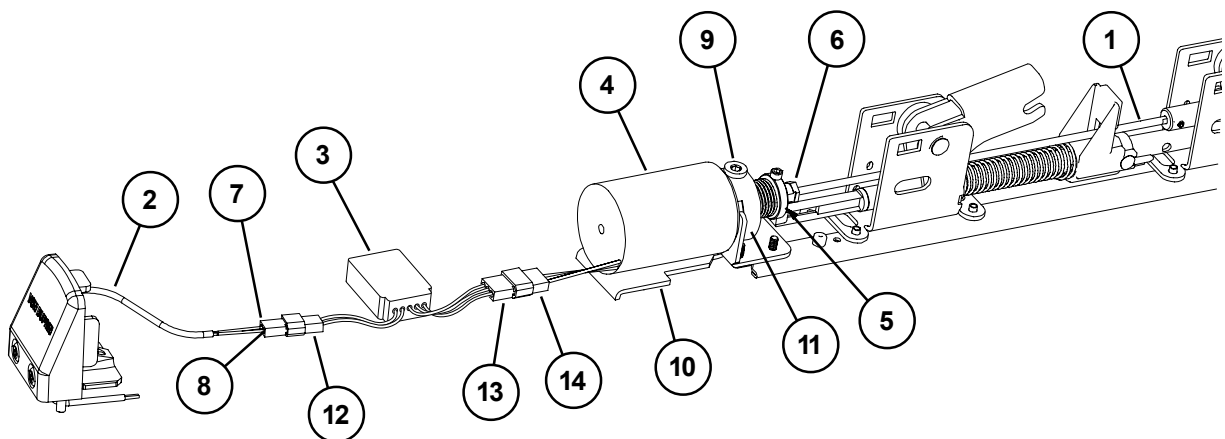
Item No.	Quantity	Part No.	Description	Finish
1	4	090038	Rubber bumper (Pkg of 4)	
2	1	090039	Latch return spring (Pkg of 10)	
3	1	050491	Shock absorber	



**HD-EL3347A/HD-EL3547A, HD-EL3349A/HD-EL3549A, &  
 HD-EL3350A/HD-EL3550A  
 HEX DOGGING/ELECTRIC LATCH  
 RETRACTION OPTION - PANIC DEVICE ONLY**

Item No.	Quantity	Part No.	Description	Finish
1	1	050531	EL Dogging Rod Kit - 3' device	
1	1	050532	EL Dogging Rod Kit - 4' device	
2	1	110388	EL 6' Cable and Connector	
3	1	050534	EL Potted Module	
4	1	050536	HD-EL Solenoid	
5	1	050537	HD-EL Solenoid Plunger	
6	1	050538	EL Dogging Rod Retainer	
7	1	050539	EL Receptacle Connector - 2 Position	
8	2	050540	EL Female Terminal	
9	1	050541	HD-EL Dog Screw	
10	1	050542	HD-EL Solenoid Bracket	
11	1	050543	HD-EL Dogging Spring	
12	1	990599	EL Plug Connector - 2 Position	
13	1	990857	EL Receptacle Connector - 3 Position	
14	1	990858	EL Plug Connector - 3 Position	
*	1	050384	HD-EL Conversion Kit - 3'	
*	1	050385	HD-EL Conversion Kit - 4'	

\*Kit includes items 1-11 plus new control link, retaining ring, and baseplate screws.

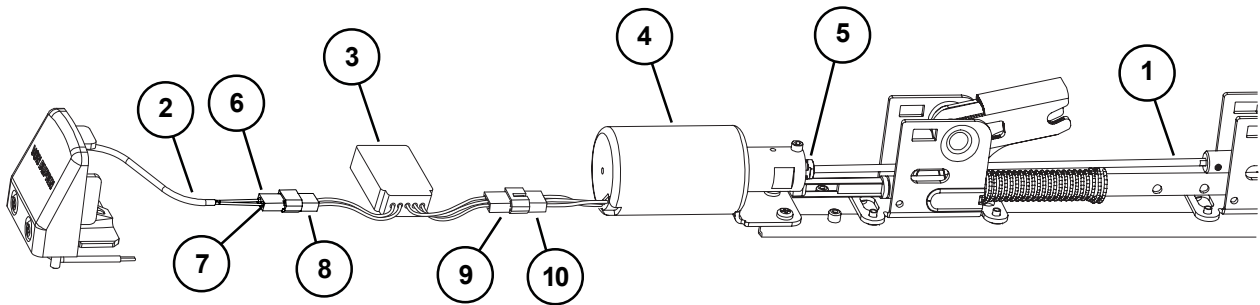




## EL3347A/EL3547A, EL3349A/EL3549A, & EL3350A/EL3550A ELECTRIC LATCH RETRACTION OPTION

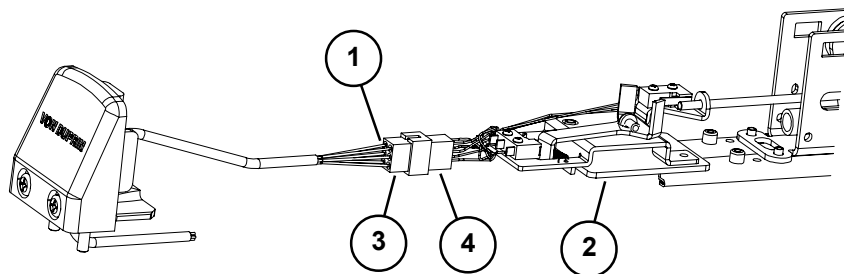
Item No.	Quantity	Part No.	Description	Finish
1	1	050531	EL Dogging Rod Kit - 3' device	
1	1	050532	EL Dogging Rod Kit - 4' device	
2	1	110388	EL 6' Cable and Connector	
3	1	050534	EL Potted Module	
4	1	050535	EL Solenoid Assembly	
5	1	050538	EL Dogging Rod Retainer	
6	1	050539	EL Receptacle Connector	
7	2	050540	EL Female Terminal	
8	1	990599	EL Plug Connector - 2 Position	
9	1	990857	EL Receptacle Connector - 3 Position	
10	1	990858	EL Plug Connector - 3 Position	
*	1	050070	EL Conversion Kit - 3'	
*	1	050078	EL Conversion Kit - 4'	

\*Kit includes items 1-7 plus new control link pin, retaining ring, and baseplate screws.

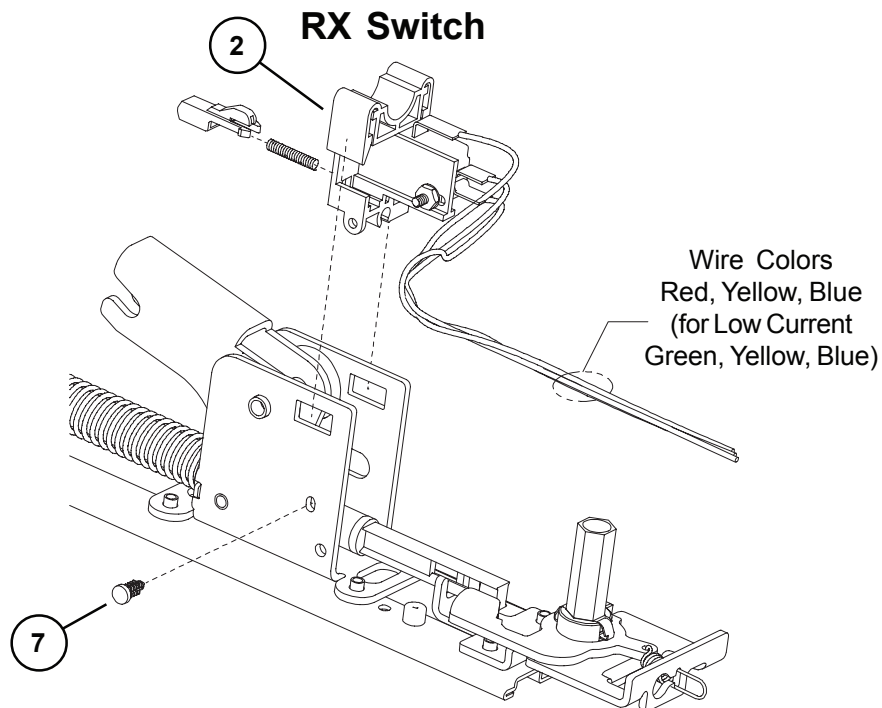
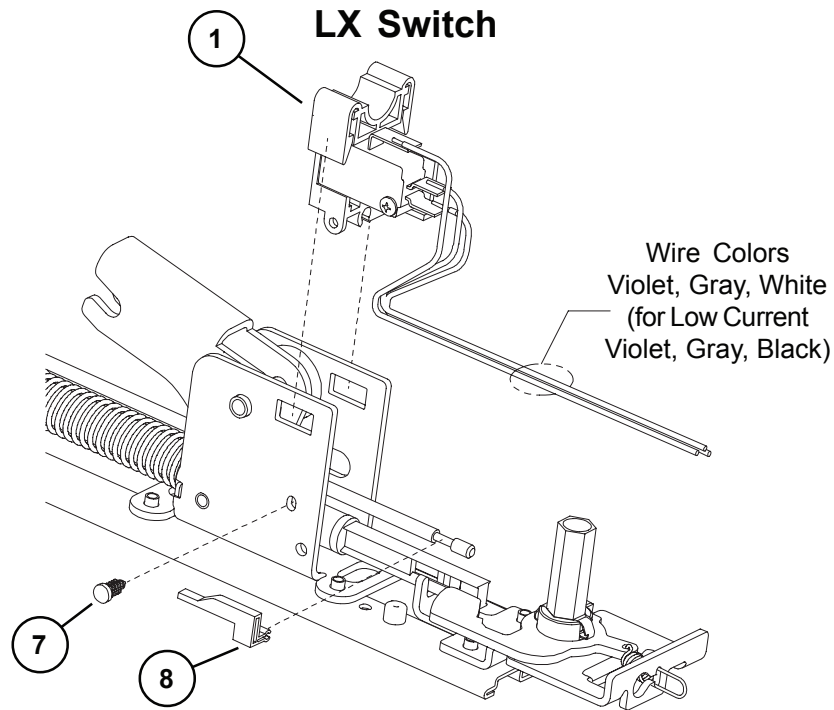


## SS3347A/SS3547A, SS3349A/SS3549A, & SS3350A/SS3550A SERIES SIGNAL SWITCH OPTION

Item No.	Quantity	Part No.	Description	Finish
1	1	050544	SS Cable	
2	1	050545	SS Housing	
3	1	990601	SS Plug Connector - 6 Position	
4	1	990602	SS Receptacle Connector - 6 Position	

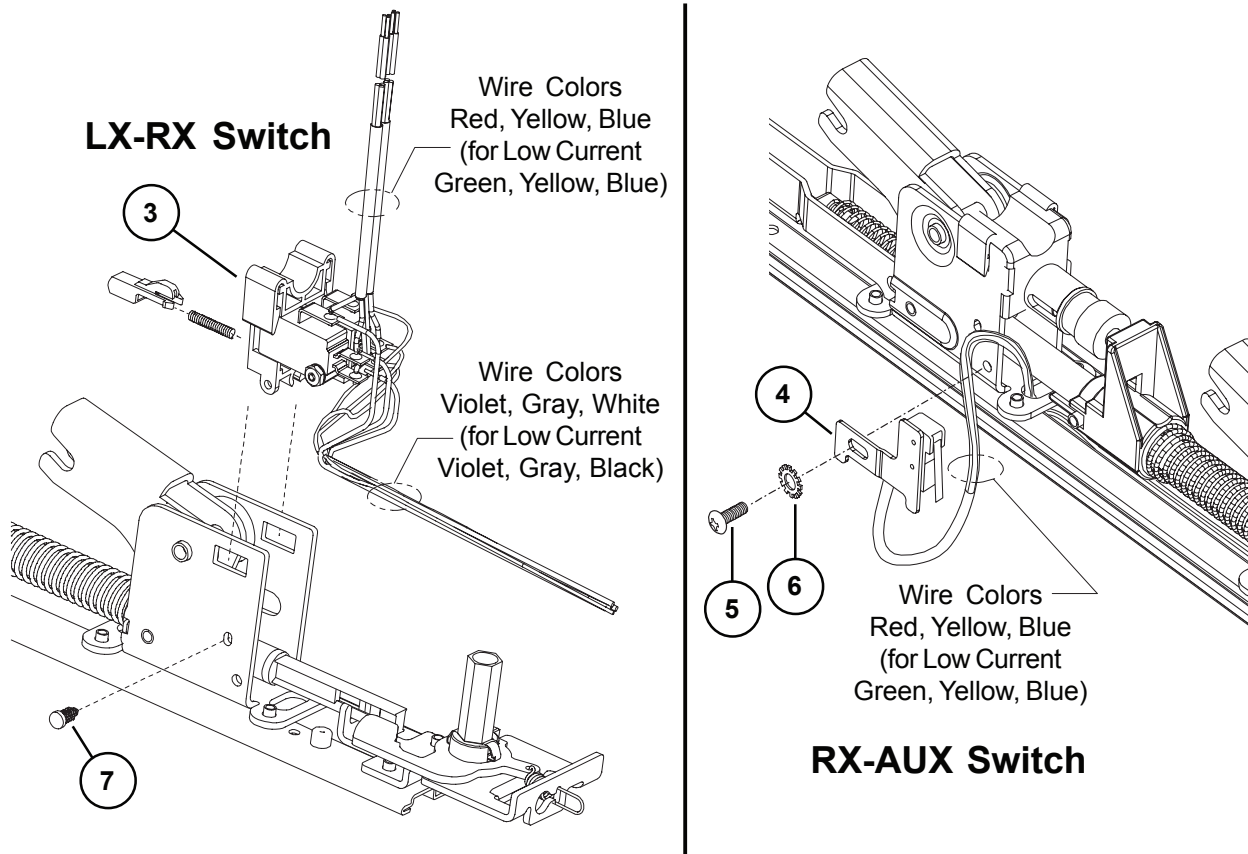


# 33/3547A, 33/3549A, & 33/3550 LX (LATCH BOLT MONITOR) & RX (REQUEST TO EXIT) OPTIONS



## 33/3547A, 33/3549A, & 33/3550A LX (LATCH BOLT MONITOR) & RX (REQUEST TO EXIT) OPTIONS

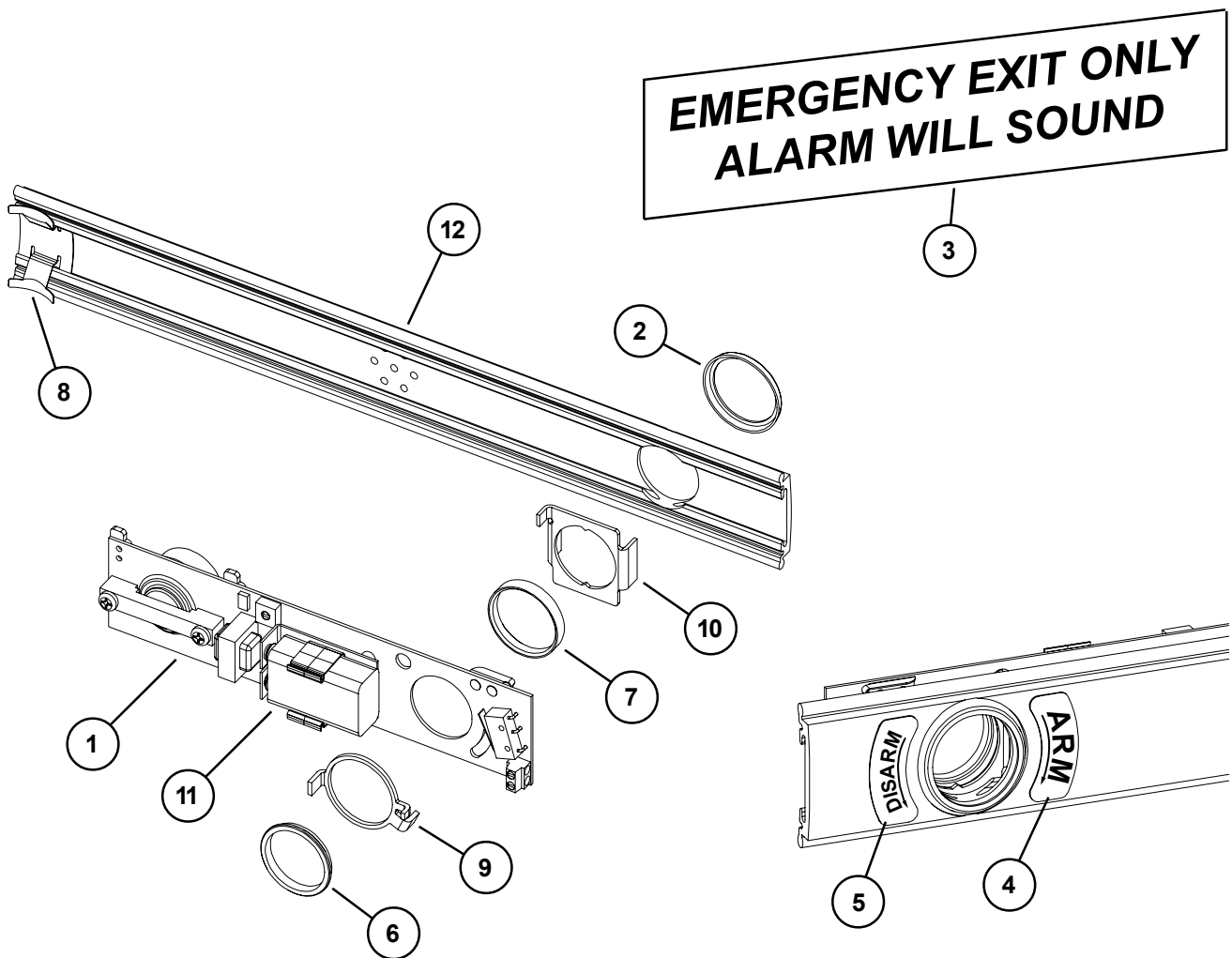
Item No.	Quantity	Part No.	Description	Finish
1	1	050254	LX Switch Kit 3' Device	
1	1	050255	LX Switch Kit 4' Device	
1	1	050247	LX-EL Switch Kit	
1	1	050283	LX-LC (Low Current) Switch Kit 3' Device	
1	1	050285	LX-LC (Low Current) Switch Kit 4' Device	
1	1	050287	LX-LC-EL (Low Current) Switch Kit	
2	1	050251	RX Switch Kit	
2	1	050281	RX-LC (Low Current) Switch Kit	
3	1	050256	LX-RX Switch Kit 3' Device	
3	1	050257	LX-RX Switch Kit 4' Device	
3	1	050259	LX-RX-EL Switch Kit	
3	1	050289	LX-RX-LC (Low Current) Sw. Kit 3' Device	
3	1	050291	LX-RX-LC (Low Current) Sw. Kit 4' Device	
3	1	050293	LX-RX-LC-EL (Low Current) Switch Kit	
2 & 4	1	050270	RX-2 Switch Kit	
4	1	050271	RX-AUX Switch Kit	
5	1	964558	8-32 x 5/16" PPHMS	
6	1	964019	#8 Washer	
7	1	090099	Pine Tree Clip (Pkg of 10)	
8	1	971091	LX Actuator	



### 33/3547A, 33/3549A, & 33/3550A ALK EXIT ALARM KIT

Item No.	Quantity	Part No.	Description	Finish
1	1	111795	ALK PCB Assembly	
2	1	050525	Cylinder Collar	X
3	1	969122	ALK Alarm Device Sign	
4	1	969349	ALK Arming Label	
5	1	969350	ALK Disarming Label	
6	1	969354	Retainer Nut	
7	1	970594	ALK Cylinder Spacer	
8	1	090036	Cover Plate Anti-rattle spring (Pkg of 10)	
9	1	971556	ALK Switch Actuator	
10	1	971557	ALK Cylinder Bracket	
11	1	990637	ALK Battery	
12	1	050406	33A Series ALK Cover Plate Kit	X
12	1	050407	35A Series ALK Cover Plate Kit	X

X in "Finish" column designates finished items; finish must be specified when ordering.



Allegion (NYSE: ALLE) is a global pioneer in safety and security, with leading brands like CISA®, Interflex®, LCN®, Schlage® and Von Duprin®. Focusing on security around the door and adjacent areas, Allegion produces a range of solutions for homes, businesses, schools and other institutions. Allegion is a \$2 billion company, with products sold in almost 130 countries.

For more, visit [www.allegion.com](http://www.allegion.com).

*aptiQ* ■ LCN ■ **SCHLAGE** ■ STEELCRAFT ■ VON DUPRIN