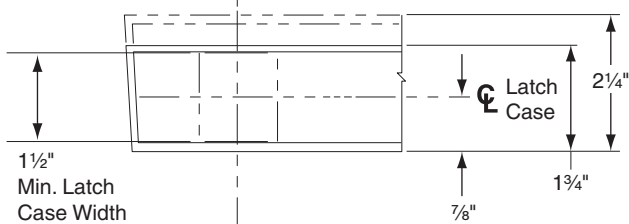


Device & Latch Case



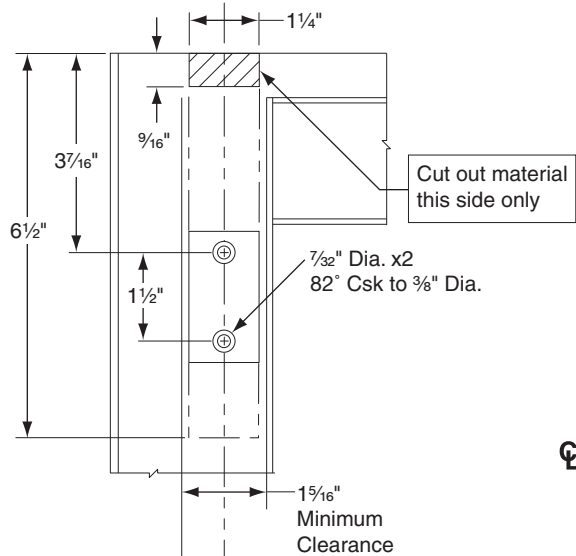
Device Installation Schedule

Installation	Backset	Stile Width
pair of doors	1 3/16"	2 1/8" to 2 3/4"
	1 1/2"	2 3/4" to 3 3/4"
	1 7/8"	3 3/4" to 5"
single door	2 1/2"	5" to flush
	1 1/2"	2 1/2" to 3 3/4"
	1 7/8"	3 3/4" to 5"
	2 1/2"	5" to flush

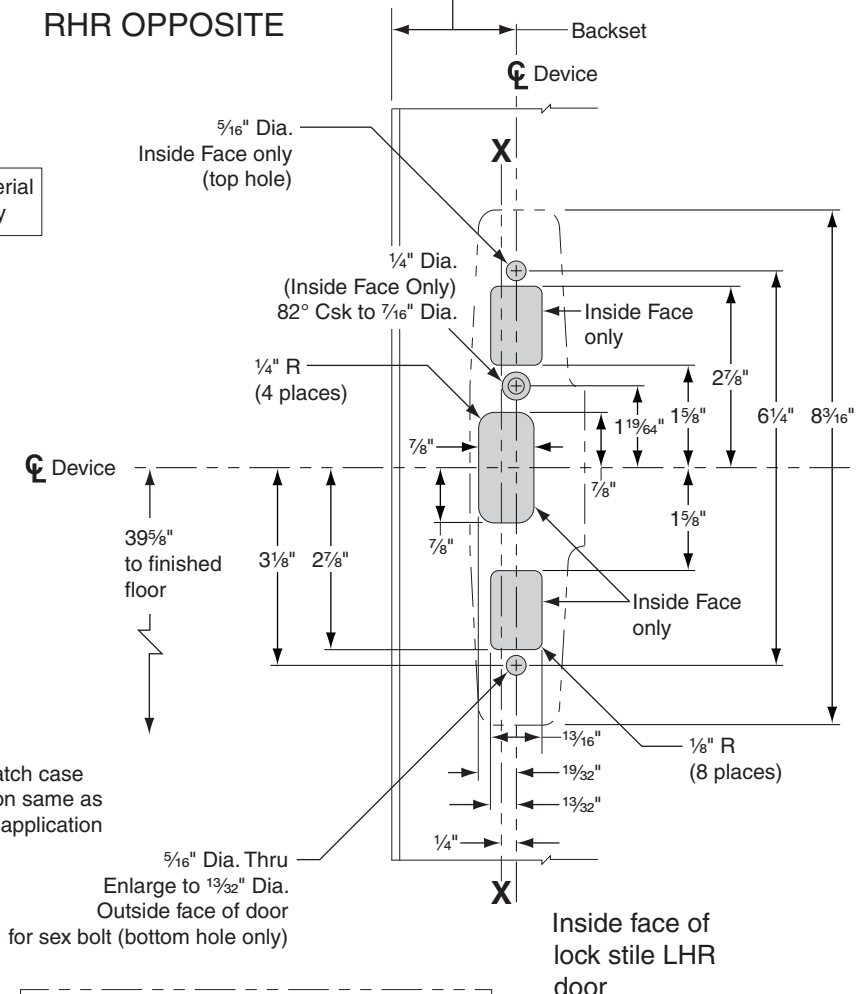
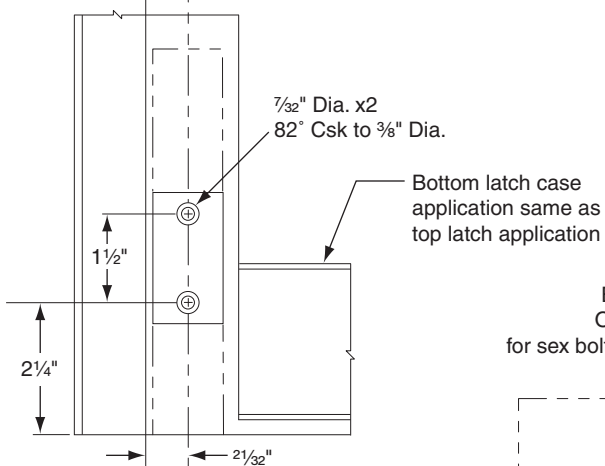
- Use of outside trim may alter minimum stile requirement. See trim template.
- See template #24081200 for 2" or less stile width.

Note: Backset may vary when used with coordinator depending on type used.

LHR SHOWN
RHR OPPOSITE

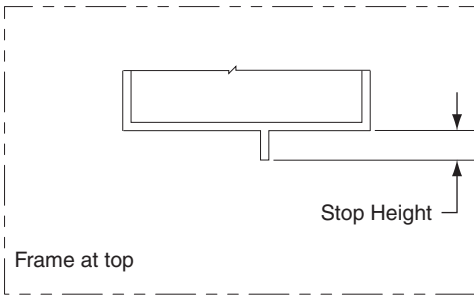


Cut out material this side only



5/16" Dia. Thru Enlarge to 13/32" Dia. Outside face of door for sex bolt (bottom hole only)

Inside face of lock stile LHR door



- Glass bead kit available when required
- It is recommended the mounting holes be prepared in the field
- For outside trim preparation, when required see additional trim template
- Device cannot be used on Kawneer 260 aluminum door

33/3549A ALUMINUM DOOR PANIC APPLICATION CONCEALED VERTICAL DEVICE

VON DUPRIN®

TEMPLATE NUMBER: 23980113_e

DATE: 9-16-16