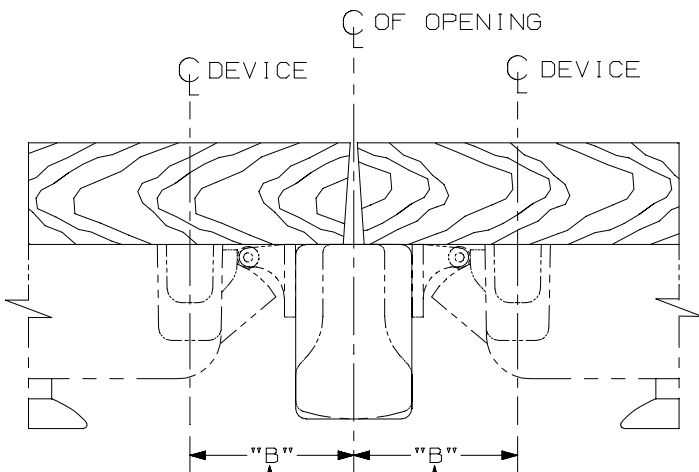
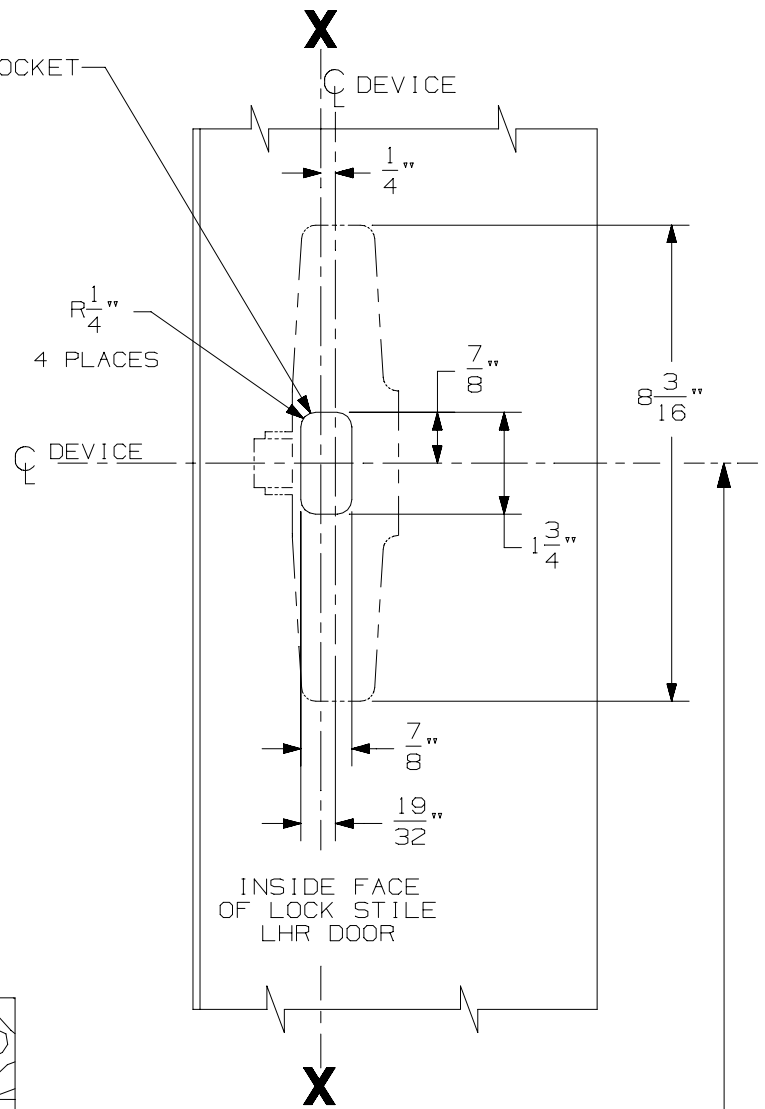


5/8" DEEP POCKET

SINGLE DOOR INSTALLATION			
DEVICE TYPE	STRIKE	DIM. "B"	RECOMMENDED MIN. STILE* ①
PANIC	299	1 - 21/32"	2 - 7/8"
	1439	27/32"	2"
	1410	27/32"	2"
FIRE	299-F	1 - 21/32"	2 - 7/8"

USE OF OUTSIDE TRIM MAY ALTER MINIMUM STILE REQUIREMENT. SEE TRIM TEMPLATE.



DOUBLE DOOR INSTALLATION WITH VON DUPRIN MULLIONS				
DEVICE TYPE	MULLION	STRIKE	DIM. "B"	RECOMMENDED MIN. STILE* ①
PANIC	4954	299	2 - 21/32"	3 - 3/8"
	1654	1606	2 - 7/32"	2 - 15/16"
	5654	299	2 - 3/16"	2 - 15/16"
	5754	1408	1 - 3/8"	2"
FIRE	9954	499-F	2 - 25/32"	3 - 1/2"

USE OF OUTSIDE TRIM MAY ALTER MINIMUM STILE REQUIREMENT. SEE TRIM TEMPLATE.

FOR OUTSIDE TRIM PREPARATION, WHEN REQUIRED, SEE ADDITIONAL TRIM TEMPLATE.

SINGLE DOOR OPENING  
39 13/16" TO FINISHED FLOOR.

DOUBLE DOOR OPENING  
WITH VON DUPRIN MULLION  
39 11/16" TO FINISHED FLOOR

LHR SHOWN  
RHR OPPOSITE

GLASS BEAD KIT AVAILABLE  
WHEN REQUIRED.

① \* CONSULT FACTORY FOR STILE WIDTHS LESS THAN MIN. RECOMMENDED TO ENSURE PROPER APPLICATION

NOTE: MOUNTING HOLES TO BE PREPARED AT INSTALLATION ON DOOR.

## 33A/35A & 33A-F/35A-F Series Rim Devices (Wood Door)

# VON DUPRIN®

NOTES: SEE MASTER SHEET #10001 FOR SUGGESTED REINFORCING

TEMPLATE  
NUMBER:

W10048\_b

DATE:  
07-24-17