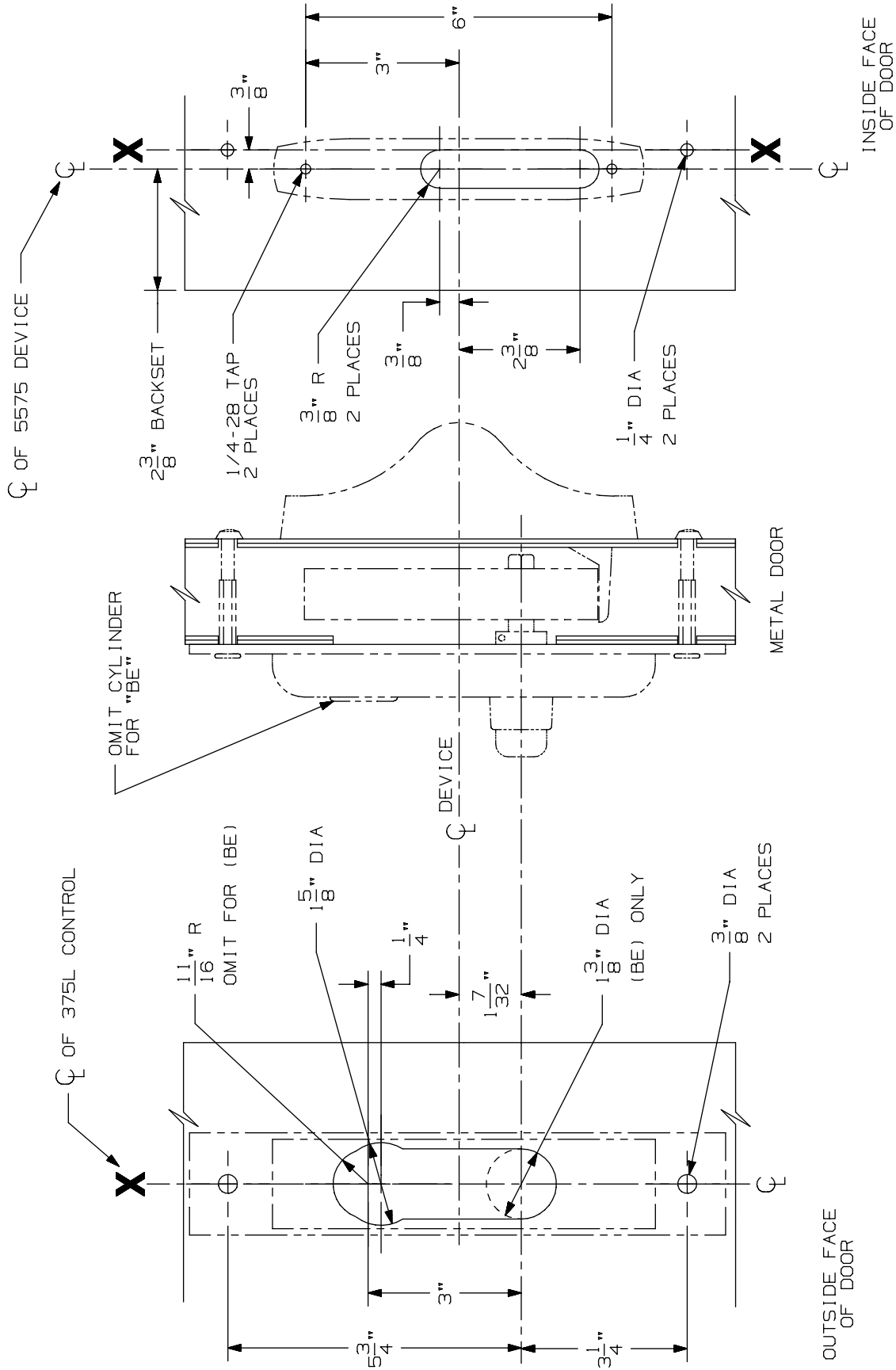


FOR INSTALLATION OF DEVICE/LOCK SEE DIRECTION 11068



LHR SHOWN
RHR OPPOSITE

**375-L & 375-L-BE Control
for 5575 & 5575-F**

VON DUPRIN®

NOTES: SEE MASTER SHEET #10001 FOR SUGGESTED REINFORCING

TEMPLATE
NUMBER:

40127_a

DATE:
05-28-13