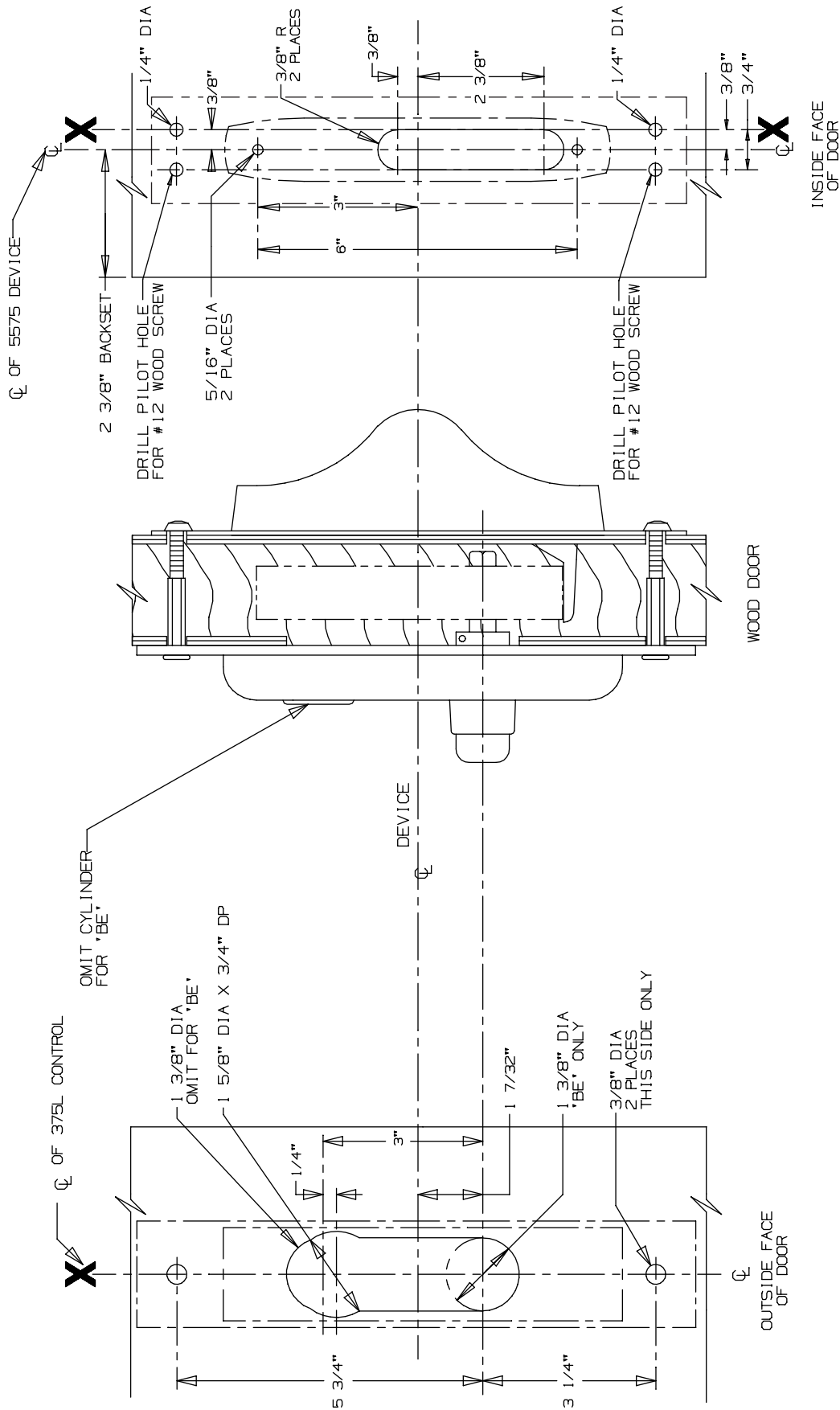


FOR INSTALLATION OF DEVICE/LOCK SEE DIRECTION 11068



LHR SHOWN
RHR OPPOSITE

375-L & 375-L-BE Control for
5575 & 5575-F WDC

VON DUPRIN®

NOTES: SEE MASTER SHEET #10001 FOR SUGGESTED REINFORCING

TEMPLATE
NUMBER:

W40127_b

DATE:
07-01-19