

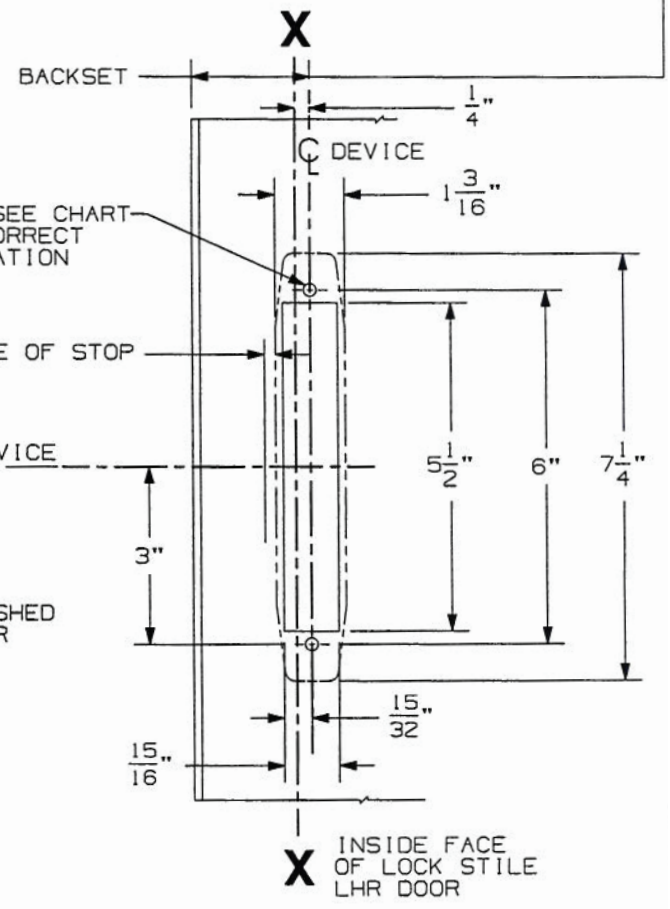
DEVICE INSTALLATION SCHEDULE	
INSTALLATION	BACKSET
MIN. 1 3/4" TO 2 1/2" DOOR STILE	SINGLE DOOR 1 9/32" DOUBLE DOOR 1 5/32"
FLUSH HOLLOW METAL DOOR	2 1/2"
STILES WIDER THAN 2 1/2"	1/2 OF STILE

NOTE: STOP THICKNESS OF 1/2 MAX. REQ'D

"A" OR "B" = SEE CHART BELOW FOR CORRECT HOLE PREPARATION

3/16" TO EDGE OF STOP

38" TO FINISHED FLOOR



IMPORTANT

CHECK DOOR SECTION THICKNESS FOR CORRECT DEVICE MOUNTING APPLICATION	
"A" = 7/32 DIA FOR DOORS WITH 1/8 OR LESS WALL THICKNESS 2 HOLES	"B" = 1/4-28 TAP FOR DOORS WITH 5/32 TO 3/16 WALL THICKNESS 2 HOLES

NOTE: 471 STRIKE FOR METAL FRAME SEE TEMPLATE NO. 30013
 472U AND 473U STRIKES FOR WOOD FRAMES
 ALUMINUM FRAME PREPARATION SEE TEMPLATE NO. 30014

FOR OUTSIDE TRIM PREPARATION, WHEN REQUIRED, SEE ADDITIONAL TRIM TEMPLATE.

• SEE NEXT PAGE FOR TRIM •

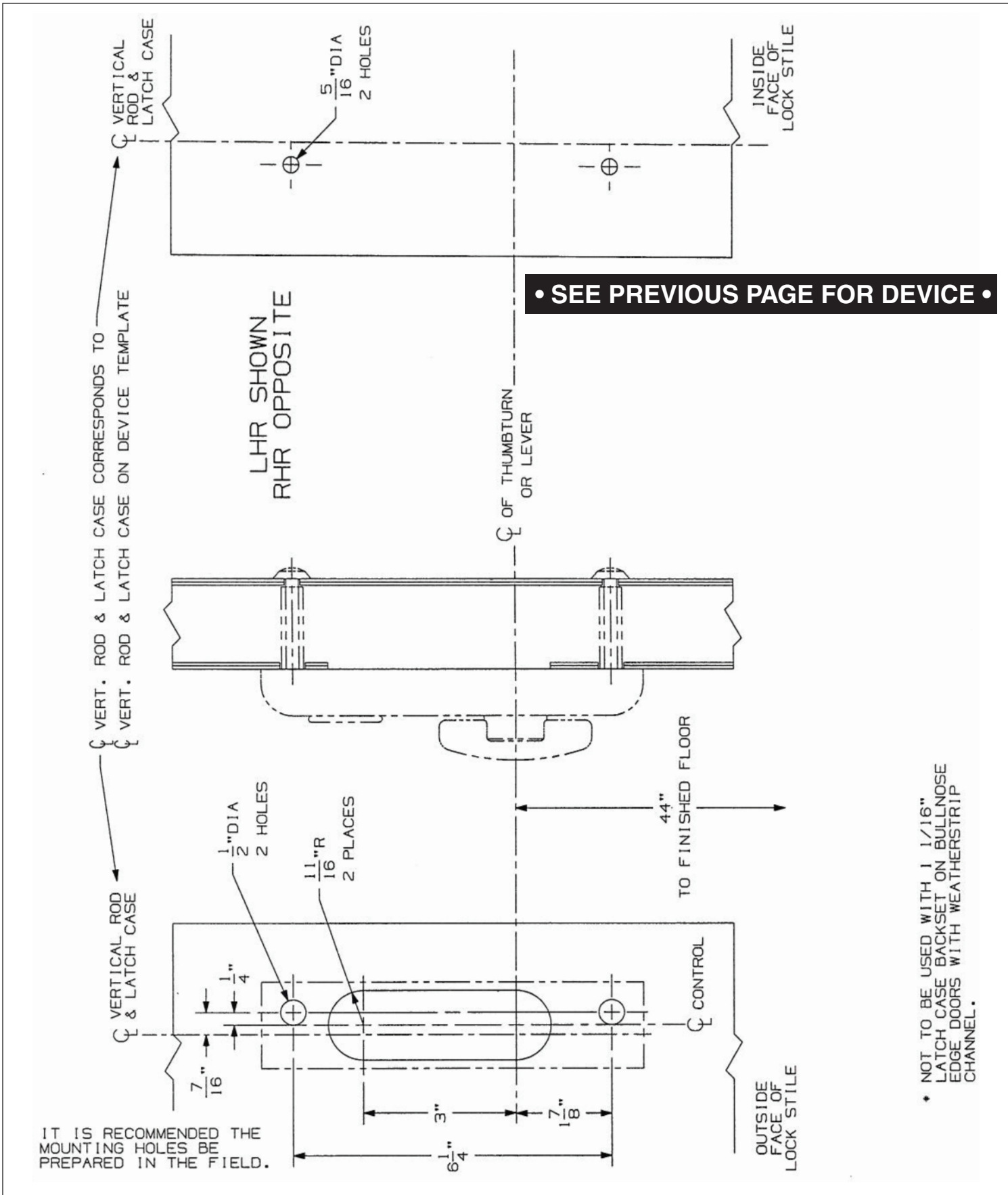
NY5547L @ 38" CL (FOR CALIFORNIA)
 VERTICAL ROD DEVICES (METAL DOOR)

VON DUPRIN®

NOTES: SEE MASTER SHEET #10001 FOR SUGGESTED REINFORCING

TEMPLATE NUMBER: 931048_a

DATE: 04-28-20



376T/376L CONTROL (METAL DOOR)
 x NY5547L @ 44" CL (FOR CALIFORNIA)

VON DUPRIN®

NOTES: SEE MASTER SHEET #10001 FOR SUGGESTED REINFORCING

TEMPLATE NUMBER:

931049_a

DATE:
 04-28-20