

DEVICE INSTALLATION SCHEDULE	
INSTALLATION	BACKSET
MIN. 1 3/4" TO 2 1/2" DOOR STILE	SINGLE DOOR 1 9/32" DOUBLE DOOR 1 5/32"
FLUSH HOLLOW METAL DOOR	2 1/2"
STILES WIDER THAN 2 1/2"	1/2 OF STILE

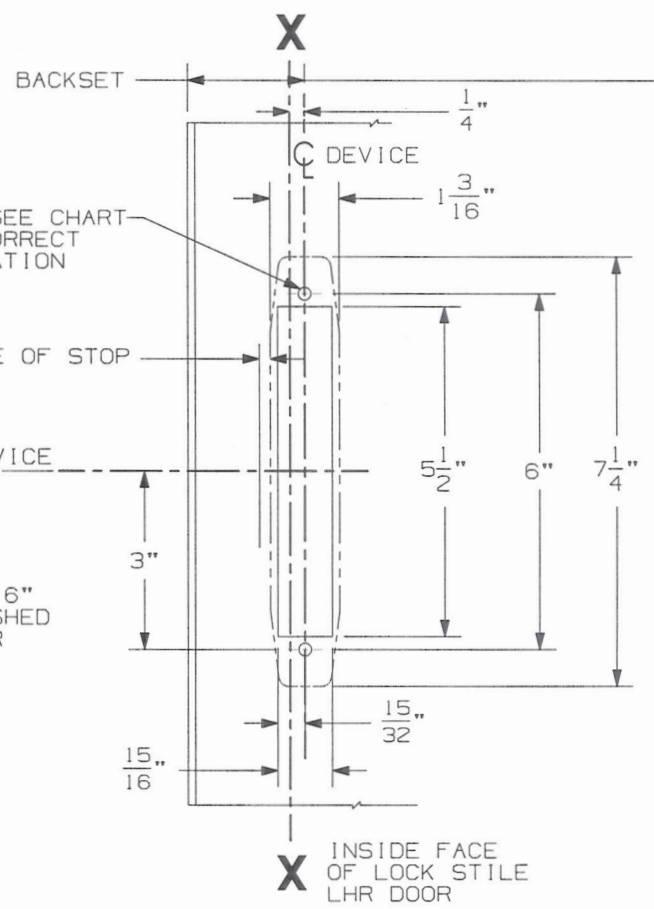
NOTE; STOP THICKNESS OF 1/2 MAX. REQ'D

"A" OR "B" = SEE CHART BELOW FOR CORRECT HOLE PREPARATION

3/16" TO EDGE OF STOP

CL DEVICE

39 13/16" TO FINISHED FLOOR



**IMPORTANT**

CHECK DOOR SECTION THICKNESS FOR CORRECT DEVICE MOUNTING APPLICATION	
"A" = 7/32 DIA FOR DOORS WITH 1/8 OR LESS WALL THICKNESS 2 HOLES	"B" = 1/4-28 TAP FOR DOORS WITH 5/32 TO 3/16 WALL THICKNESS 2 HOLES

NOTE: 471 STRIKE FOR METAL FRAME SEE TEMPLATE NO. 30013

472U AND 473U STRIKES FOR WOOD FRAMES

ALUMINUM FRAME PREPARATION SEE TEMPLATE NO. 30014

**• SEE NEXT PAGE FOR TRIM •**

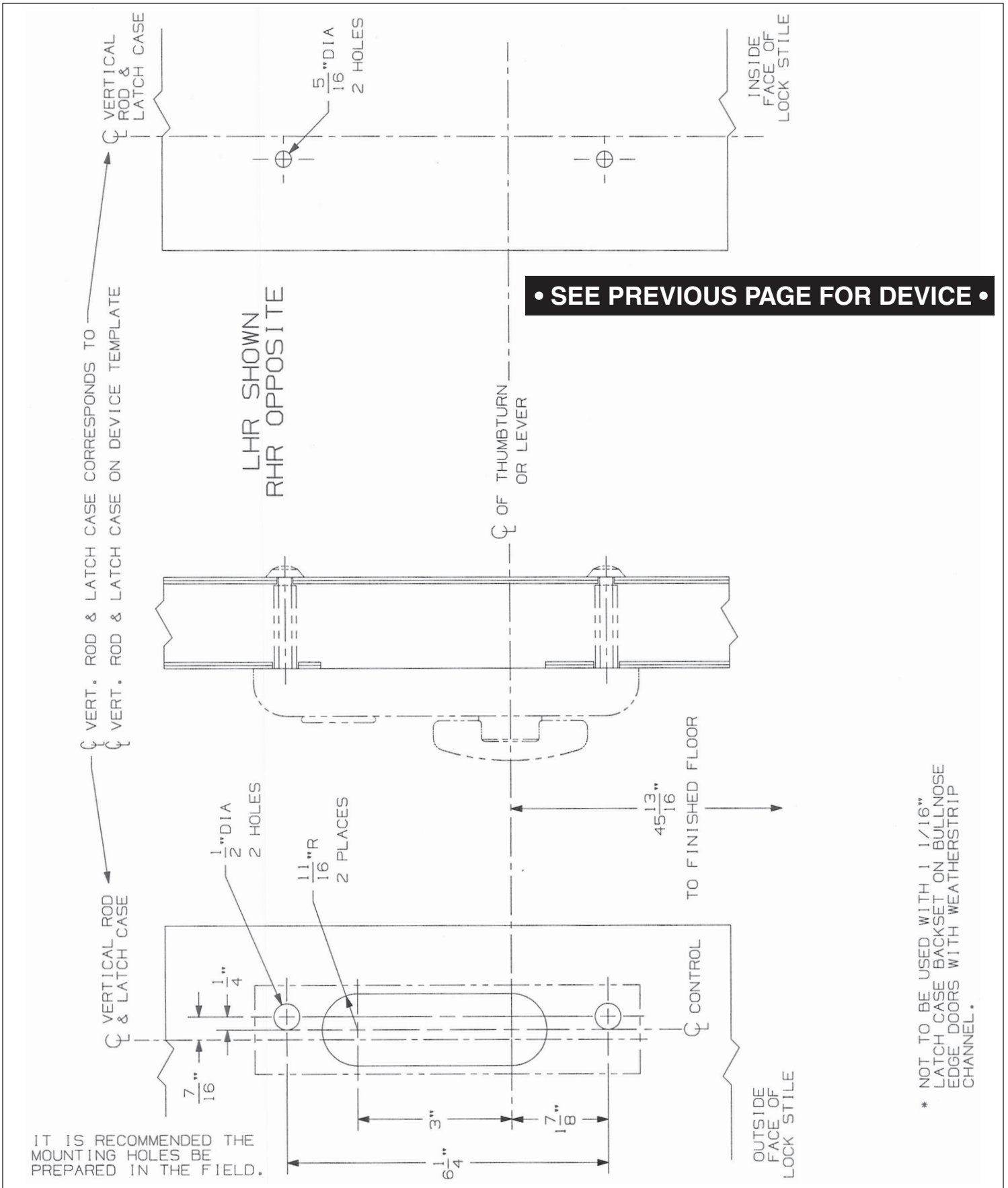
**NY5547L @ 39 13/16" CL (STANDARD)  
VERTICAL ROD DEVICES (METAL DOOR)**

**VON DUPRIN®**

NOTES: SEE MASTER SHEET #10001 FOR SUGGESTED REINFORCING

TEMPLATE NUMBER: 931045\_a

DATE: 04-28-20



**376T/376L CONTROL  
 x NY5547L @ 45<sup>13</sup>/<sub>16</sub>" CL (METAL DOOR)**

**VON DUPRIN®**

NOTES: SEE MASTER SHEET #10001 FOR SUGGESTED REINFORCING

TEMPLATE NUMBER: 931047\_a

DATE: 04-28-20