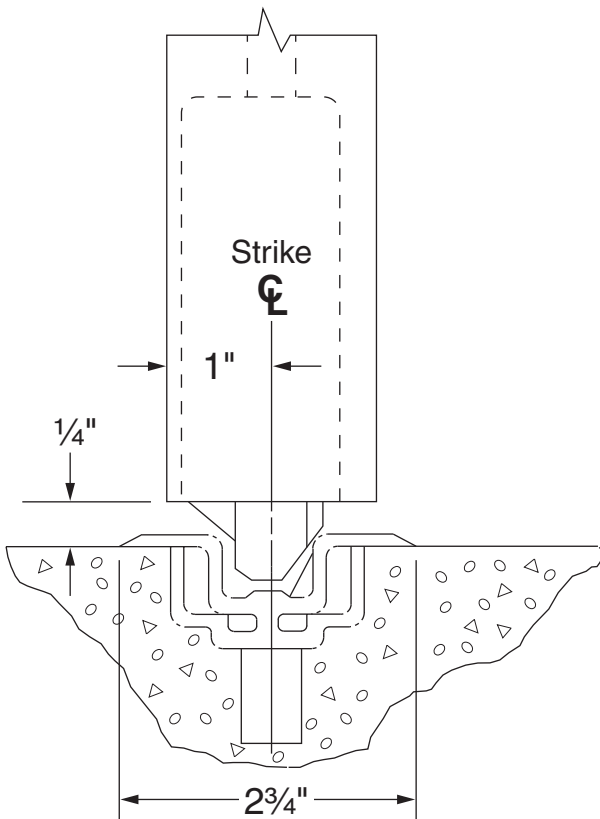
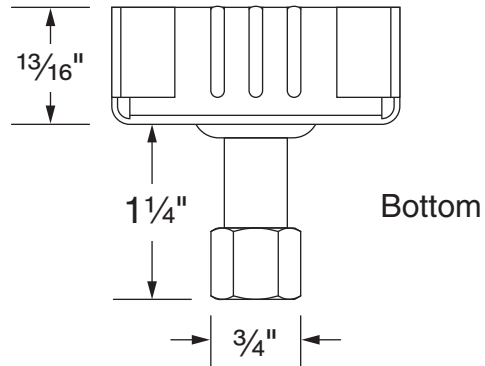
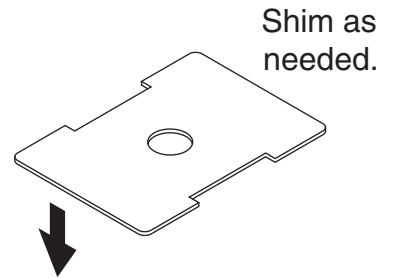


The 385A strike has two pieces. Grout bottom piece into floor and attach top piece to bottom with screw thru slot.



DEVICE SCHEDULE

2227	2227-F
33/3547A	33/3547A-F
33/3548A	33/3548A-F
98/9947	98/9947-F
98/9948	98/9948-F
98/9947WDC	98/9947WDC-F

385A BOTTOM STRIKE TEMPLATE

VON DUPRIN®

NOTES: SEE MASTER SHEET #10001 FOR SUGGESTED REINFORCING

TEMPLATE NUMBER: 941371-00_a

DATE: 08-08-19