

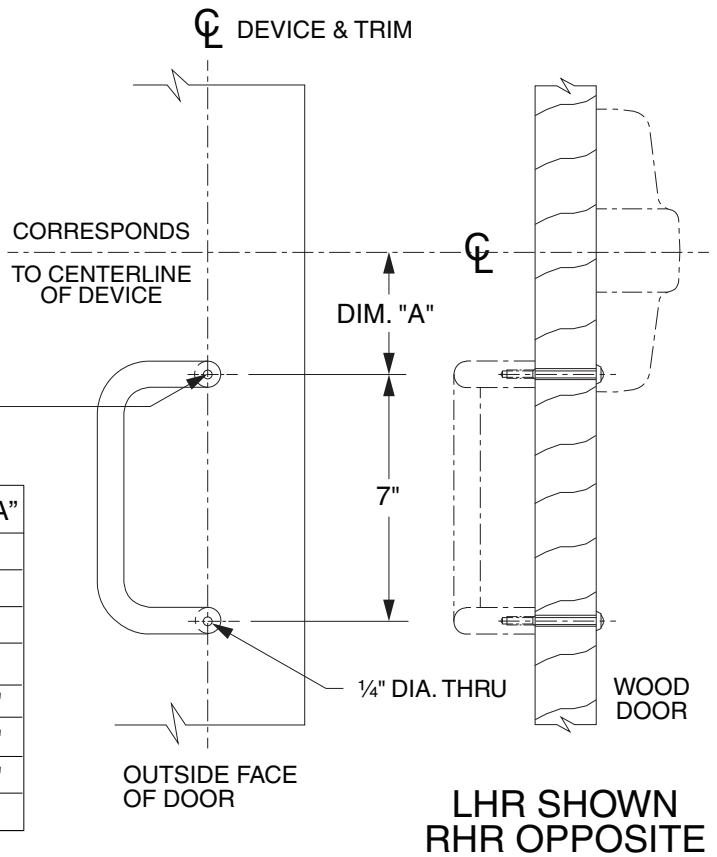
### 392-7 (PULL BELOW CENTER) FOR NL, TL OR DT APPLICATIONS

DRILL 1/4" DIA.  
C'SINK TO 82° FOR  
88 & 55 SERIES DEVICE

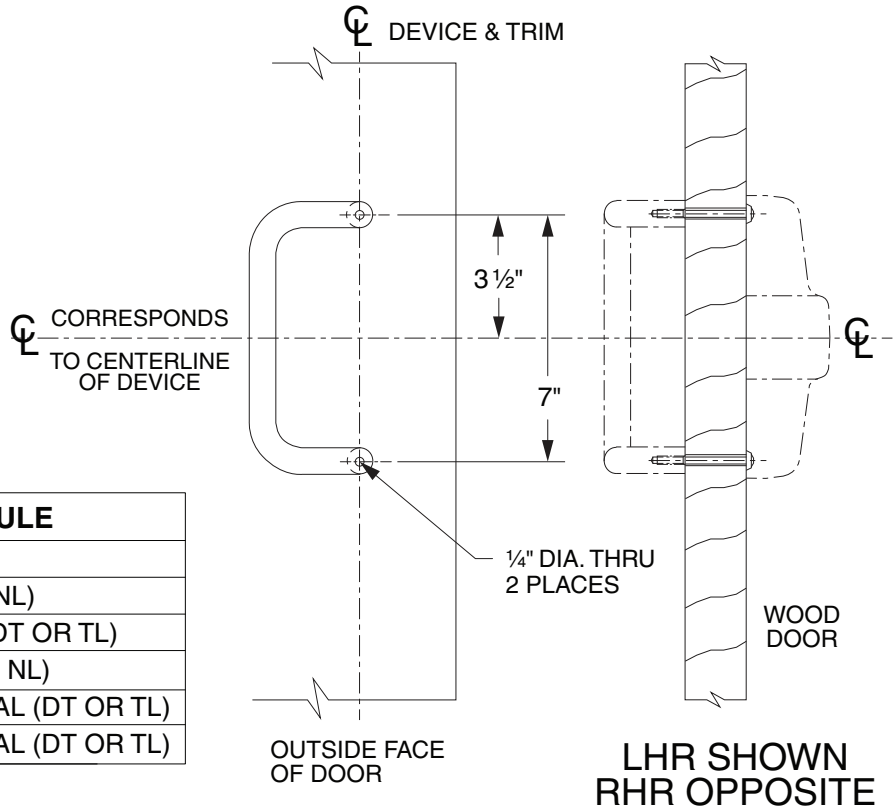
DRILL 1/4" DIA. THRU  
FOR 99 SERIES DEVICES

SCREW THRU BOLT TO  
99 DEVICE CHASSIS

DEVICE APPLICATION SCHEDULE	DIM. "A"
98/99 SERIES RIM	3 1/2"
XP98/XP99 SERIES RIM	3 1/2"
98/9927 SERIES SURFACE VERTICAL	3 1/2"
98/9975 SERIES MORTISE	3 1/2"
88 SERIES RIM	3 11/16"
8827 SERIES SURFACE VERTICAL	3 11/16"
8875 SERIES MORTISE	3 11/16"
55 SERIES RIM	13/16"



### 392-7 (PULL ON CENTER) FOR NL, TL OR DT APPLICATIONS



#### DEVICE APPLICATION SCHEDULE

98/99 SERIES RIM (DT OR NL)
XP98/XP99 SERIES RIM (DT OR NL)
98/9927 SERIES SURFACE VERTICAL (DT OR TL)
98/9975 SERIES MORTISE (DT OR NL)
98/9947WDC SERIES CONCEALED VERTICAL (DT OR TL)
98/9949WDC SERIES CONCEALED VERTICAL (DT OR TL)

392-7 Pull

**VON DUPRIN®**

NOTES: SEE MASTER SHEET #10001 FOR SUGGESTED REINFORCING

TEMPLATE  
NUMBER:

W20447\_c

DATE:  
05-31-13