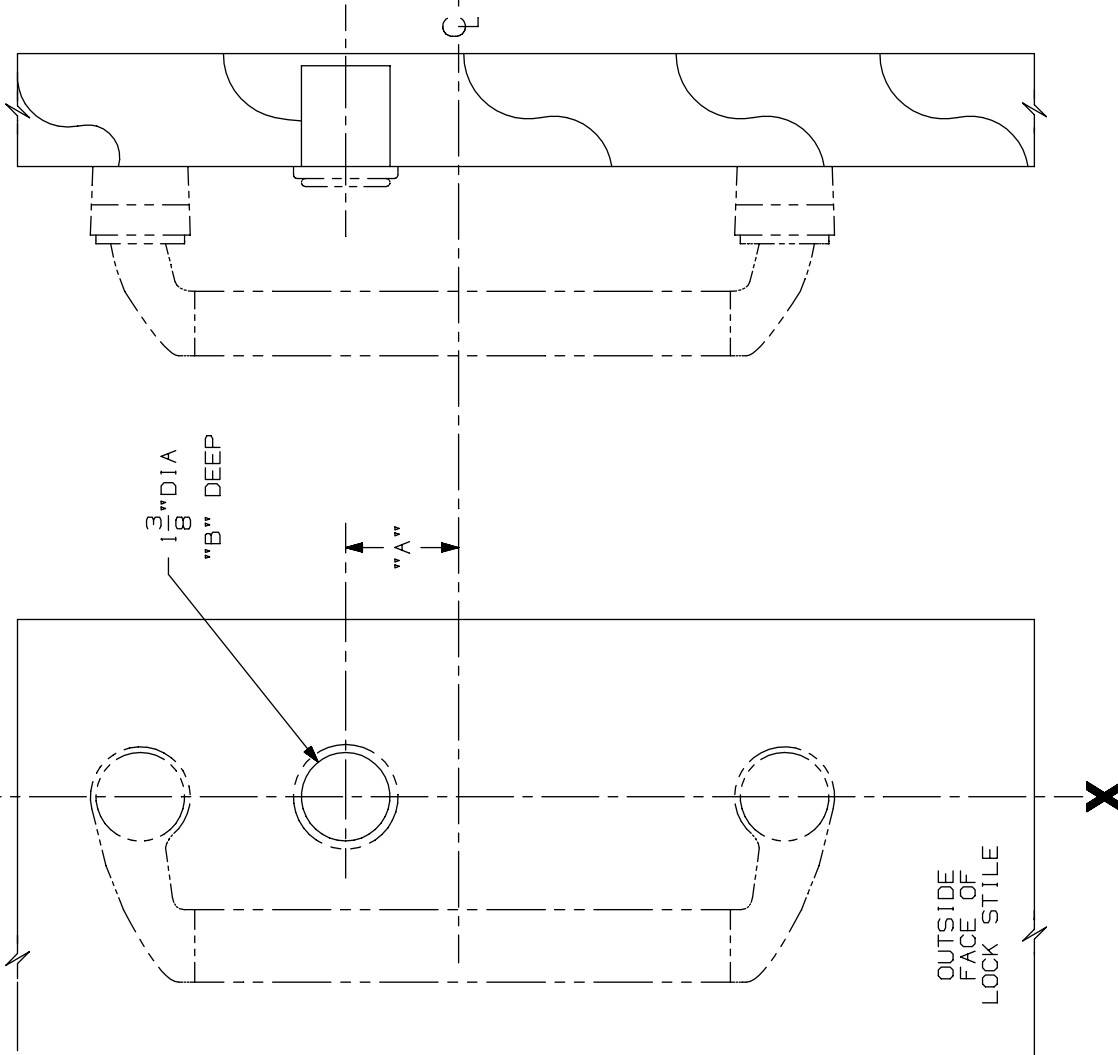


LINE X-X CORRESPONDS TO
LINE X-X ON DEVICE TEMPLATE



DEVICE APPLICATION SCHEDULE			
DEVICE	DIM. "A"	DIM. "B"	
44 RIM	1/4"	THRU	
55 RIM	1 3/4"	1 1/4"	
88 RIM	1/4"	THRU	
88 MORT	2"	7/8"	

LHR SHOWN
RHR OPPOSITE

NOTE: MOUNTING HOLES TO BE PREPARED
AT INSTALLATION ON DOOR.

FOR CUTOUTS ON INSIDE FACE OF DOOR
SEE DEVICE TEMPLATE.

550NL Trim (Wood Door)

VON DUPRIN®

NOTES: SEE MASTER SHEET #10001 FOR SUGGESTED REINFORCING

TEMPLATE
NUMBER:

W20027_a

DATE:
05-29-13