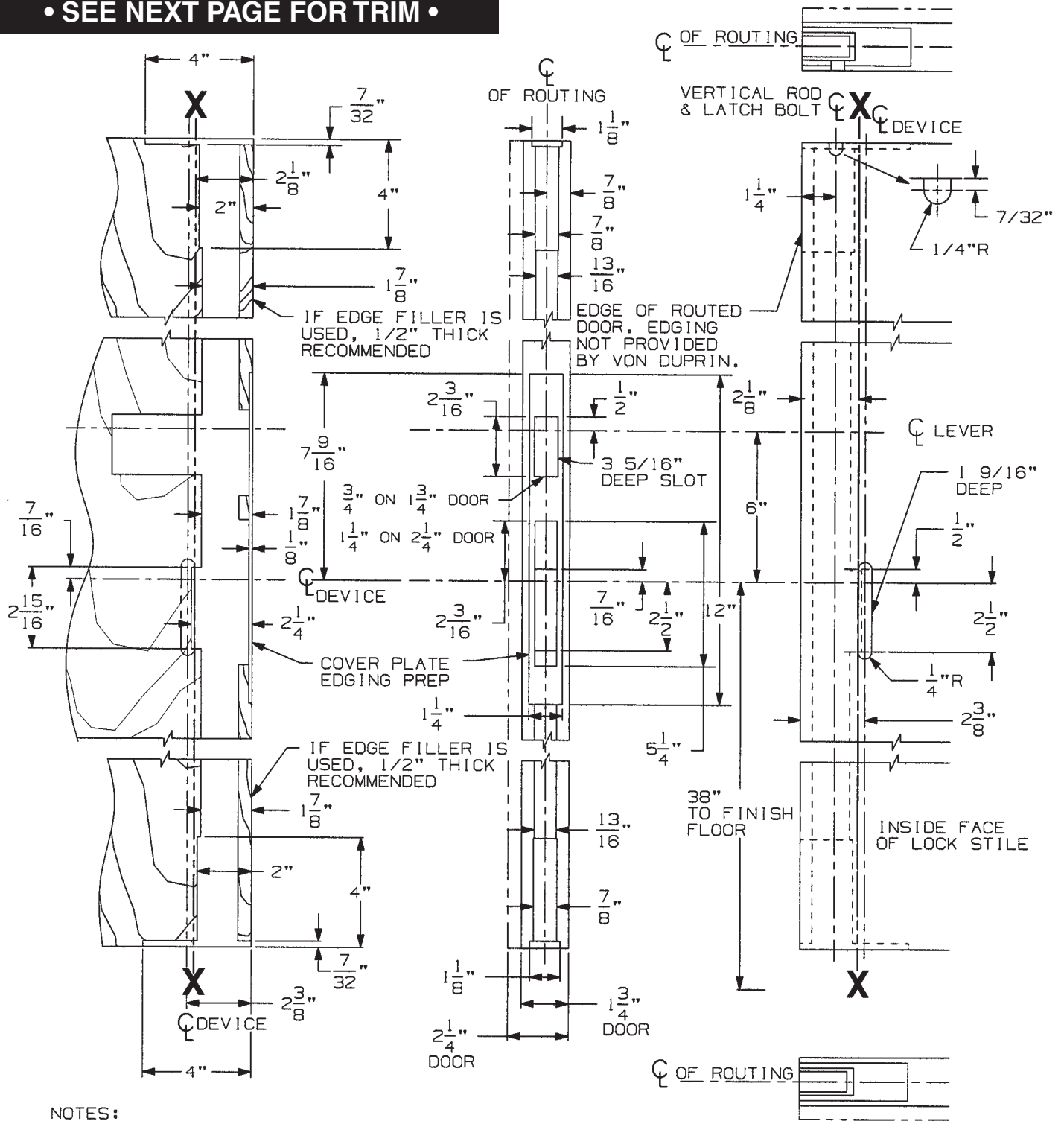


• SEE NEXT PAGE FOR TRIM •



NOTES:

1. FOR OUTSIDE TRIM PREPARATION, WHEN REQUIRED, SEE TRIM TEMPLATE
2. MOUNTING HOLES TO BE PREPARED AT INSTALLATION ON DOOR,
3. SEE TEMPLATE #30038 IN HOLLOW METAL TEMPLATE BOOK FOR 338 STRIKE.

LHR APPLICATION SHOWN,
RHR APPLICATION OPPOSITE

* SEE 376L CONTROL TEMPLATE 01_054_01 FOR PULL SIDE FACE CUTOUT.

**5547WDC & 5547WDC-F SERIES
x 376LWDC @ 38" CL (FOR CALIFORNIA)
VERTICAL ROD DEVICES (WOOD DOOR)**

VON DUPRIN®

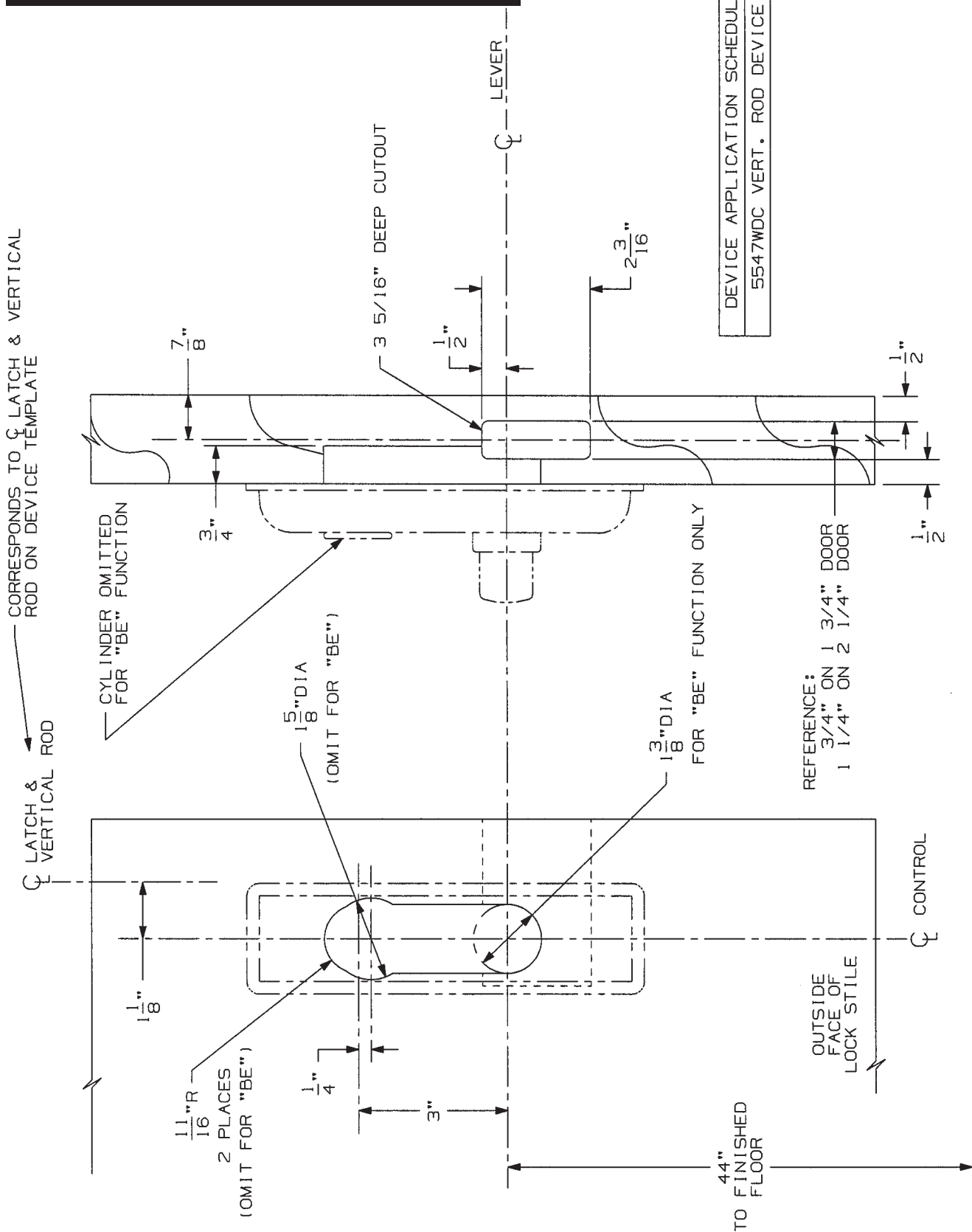
NOTES: SEE MASTER SHEET #10001 FOR SUGGESTED REINFORCING

TEMPLATE NUMBER:

931052_a

DATE:
04-28-20

• SEE PREVIOUS PAGE FOR DEVICE •



LHR SHOWN
RHR OPPOSITE

FOR CUTOUTS ON INSIDE FACE OF DOOR
SEE DEVICE TEMPLATE.

NOTE: MOUNTING HOLES TO BE PREPARED
AT INSTALLATION ON DOOR.

376-L & 376-L-BE CONTROL
x 5547WDC @ 44" CL
(WOOD DOOR FOR CALIFORNIA)

VON DUPRIN

NOTES: SEE MASTER SHEET #10001 FOR SUGGESTED REINFORCING

TEMPLATE NUMBER:

931044_a

DATE:

04-28-20