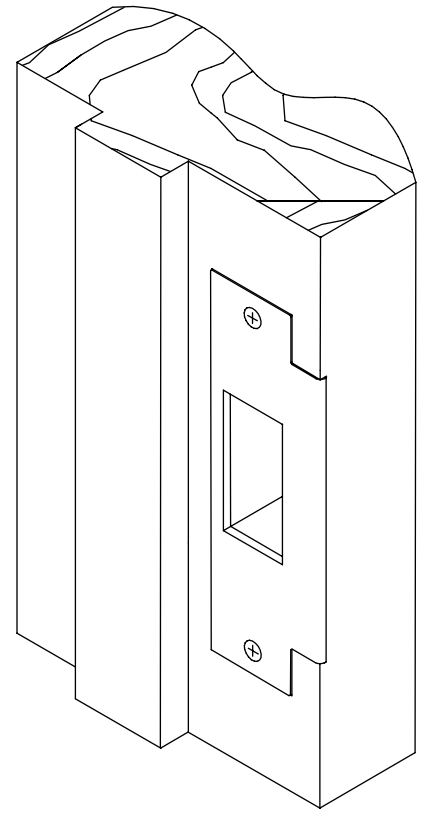
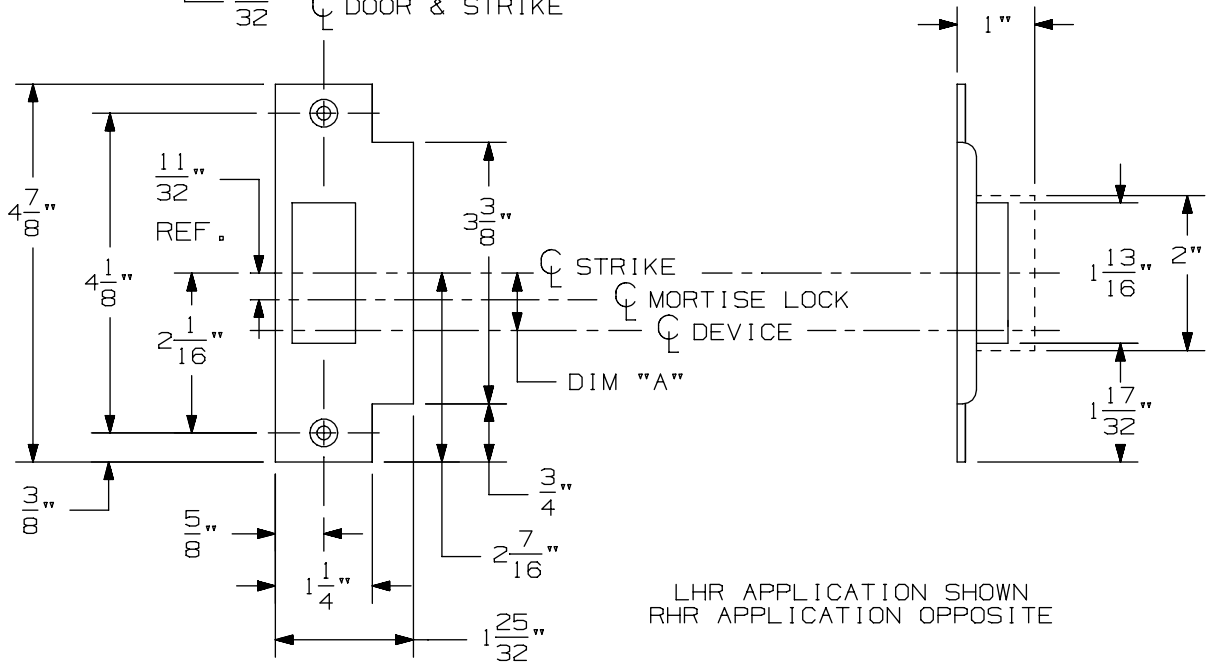
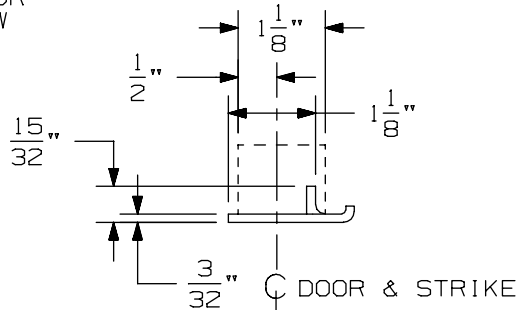


SUGGESTED  
CUTOUT



APPLICATION SCHEDULE	
DEVICE	DIM "A"
9875 & 9875-F	11/16"
9975 & 9975-F	11/16"
8875 & 8875-F	1/2"
5575 & 5575-F	1/2"

PILOT DRILL FOR  
#12 WOOD SCREW  
2 PLACES



LHR APPLICATION SHOWN  
RHR APPLICATION OPPOSITE

## 575 Mortise Strike for 7500 Mortise Lock Wood Frame

# VON DUPRIN®

NOTES: SEE MASTER SHEET #10001 FOR SUGGESTED REINFORCING

TEMPLATE  
NUMBER:

W30210\_a

DATE:  
05-29-13