

NOTES: SEE MASTER SHEET #10001 FOR SUGGESTED REINFORCING

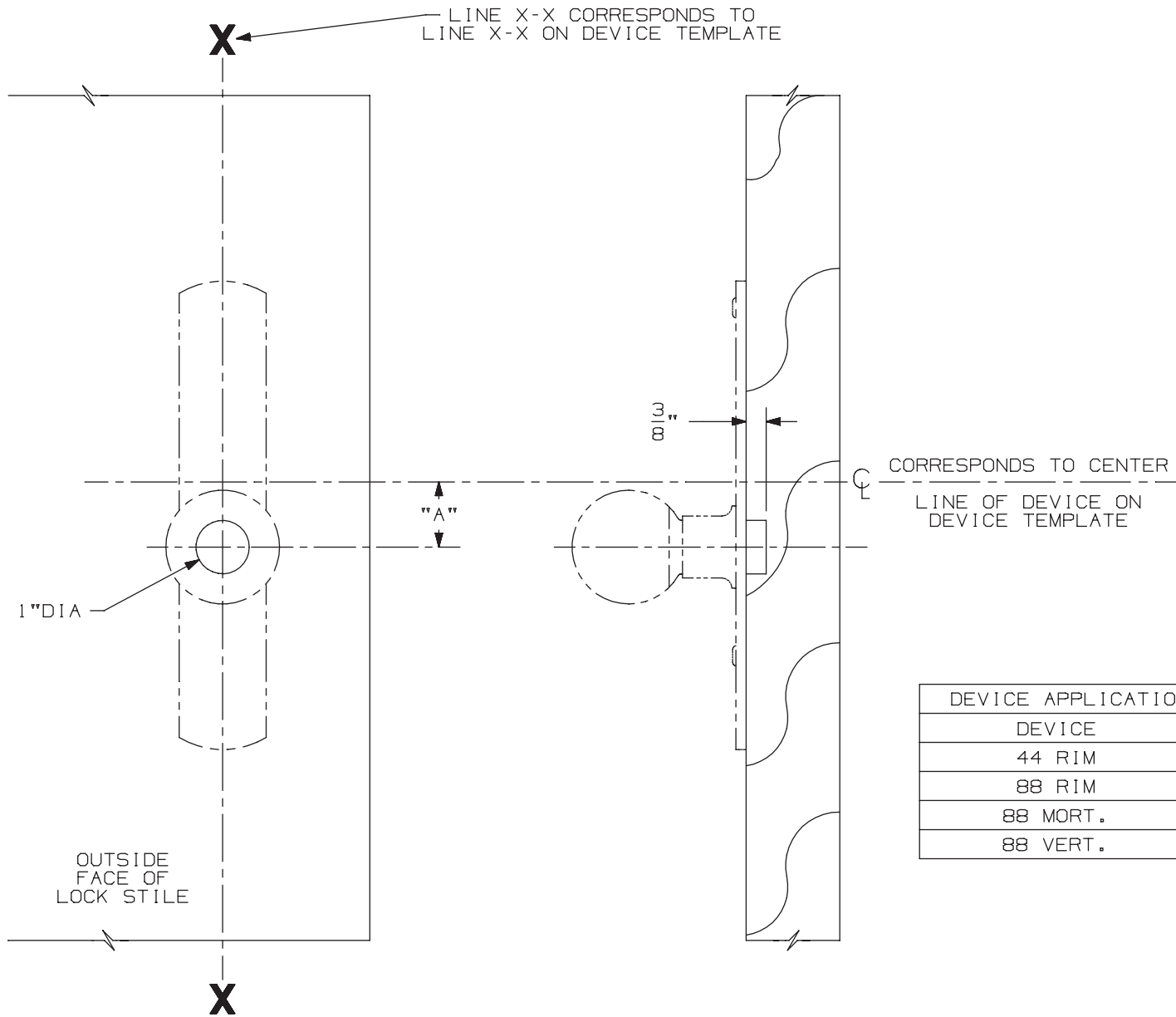
606K-DT Trim (Wood Door)

TEMPLATE NUMBER:

W20059\_a

DATE: 05-29-13

**VON DUPRIN®**



DEVICE APPLICATION SCHEDULE	
DEVICE	DIM. "A"
44 RIM	3"
88 RIM	3"
88 MORT.	1 1/4"
88 VERT.	1 1/4"

②

LHR SHOWN  
RHR OPPOSITE

NOTE: MOUNTING HOLES TO BE PREPARED AT INSTALLATION ON DOOR.

FOR CUTOUTS ON INSIDE FACE OF DOOR SEE DEVICE TEMPLATE.