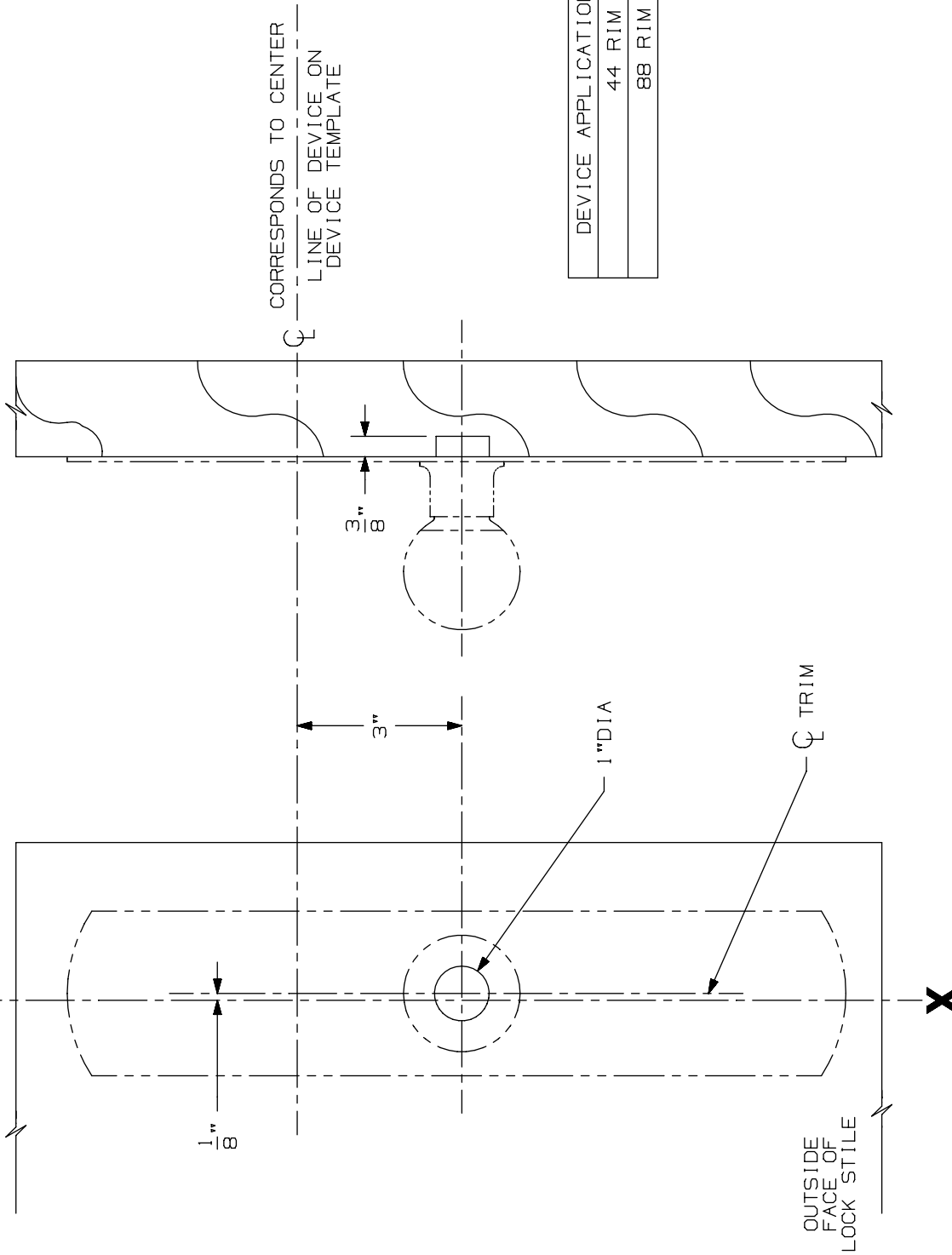


LINE X-X CORRESPONDS TO
LINE X-X ON DEVICE TEMPLATE



DEVICE APPLICATION SCHEDULE
44 RIM
88 RIM

LHR SHOWN
RHR OPPOSITE

FOR CUTOUTS ON INSIDE FACE OF DOOR
SEE DEVICE TEMPLATE.

NOTE: MOUNTING HOLES TO BE PREPARED
AT INSTALLATION ON DOOR.

880K-DT Trim (Wood Door)

VON DUPRIN®

NOTES: SEE MASTER SHEET #10001 FOR SUGGESTED REINFORCING

TEMPLATE NUMBER:

W20255_a

DATE:
05-29-13