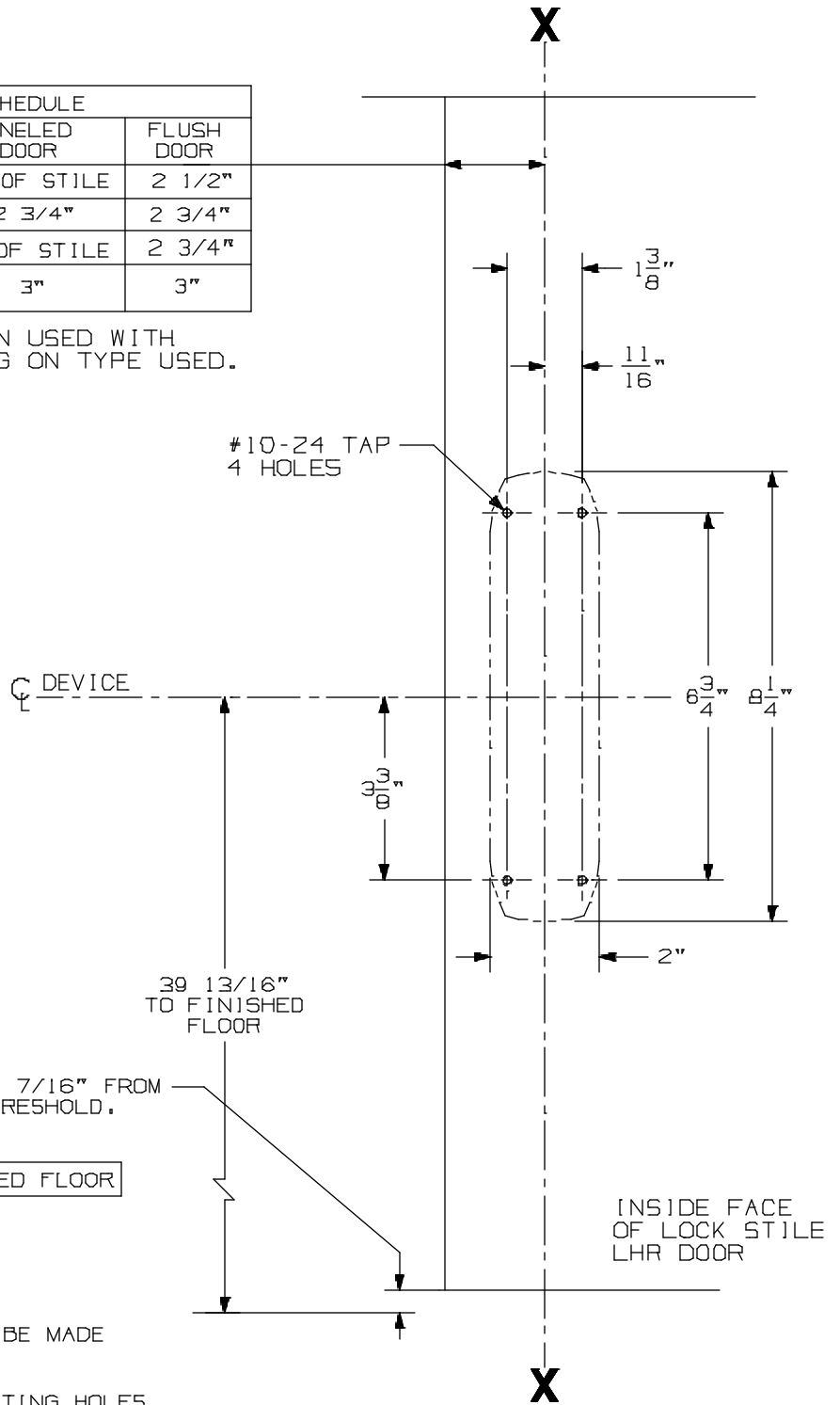


DEVICE APPLICATION SCHEDULE		
INSTALLATION	PANELED DOOR	FLUSH DOOR
TWO VERT. ROD DEVICES	1/2 OF STILE	2 1/2"
VERT. ROD & MORT. DEVICE	2 3/4"	2 3/4"
SINGLE DOOR	1/2 OF STILE	2 3/4"
VERT. ROD & RIM DEVICE REQUIRES 1609J STRIKE	3"	3"

NOTE: BACKSET MAY VARY WHEN USED WITH COORDINATOR DEPENDING ON TYPE USED.



④

NOTE: REQUIRED DOOR UNDERCUT IS 7/16" FROM FINISHED FLOOR OR 1/16" FROM THRESHOLD.

CROSSBAR 36 13/16" FROM FINISHED FLOOR

NOTE: LATCH CASE PREPARATION TO BE MADE AT INSTALLATION ON DOOR.

NOTE: IT IS RECOMMENDED THE MOUNTING HOLES BE PREPARED IN THE FIELD.

FOR OUTSIDE TRIM PREPARATION, WHEN REQUIRED, SEE ADDITIONAL TRIM TEMPLATE.

LHR SHOWN
RHR OPPOSITE

8827EO, 8827DT, & 8827TL Series
Vertical Rod Device

VON DUPRIN®

NOTES: SEE MASTER SHEET #10001 FOR SUGGESTED REINFORCING

TEMPLATE
NUMBER:

10160_a

DATE:
05-16-13