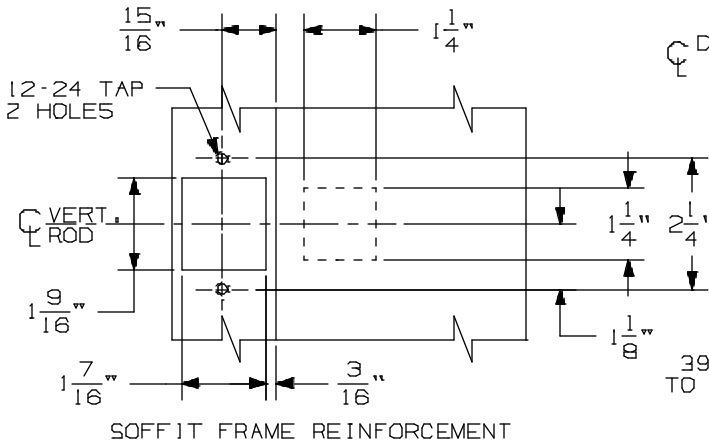
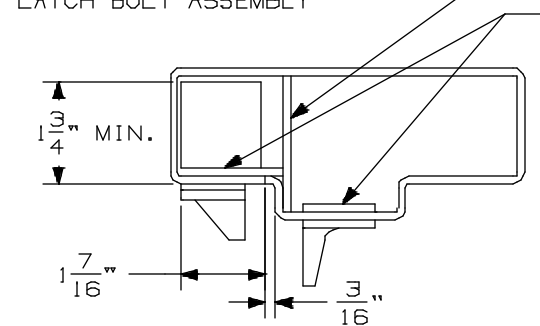
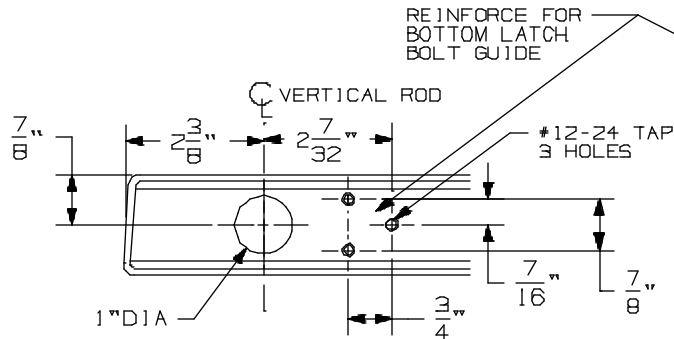


NOTE: MORTAR GUARD SHOULD BE PROVIDED TO PROTECT SOFFIT LATCH BOLT ASSEMBLY



SOFFIT FRAME REINFORCEMENT

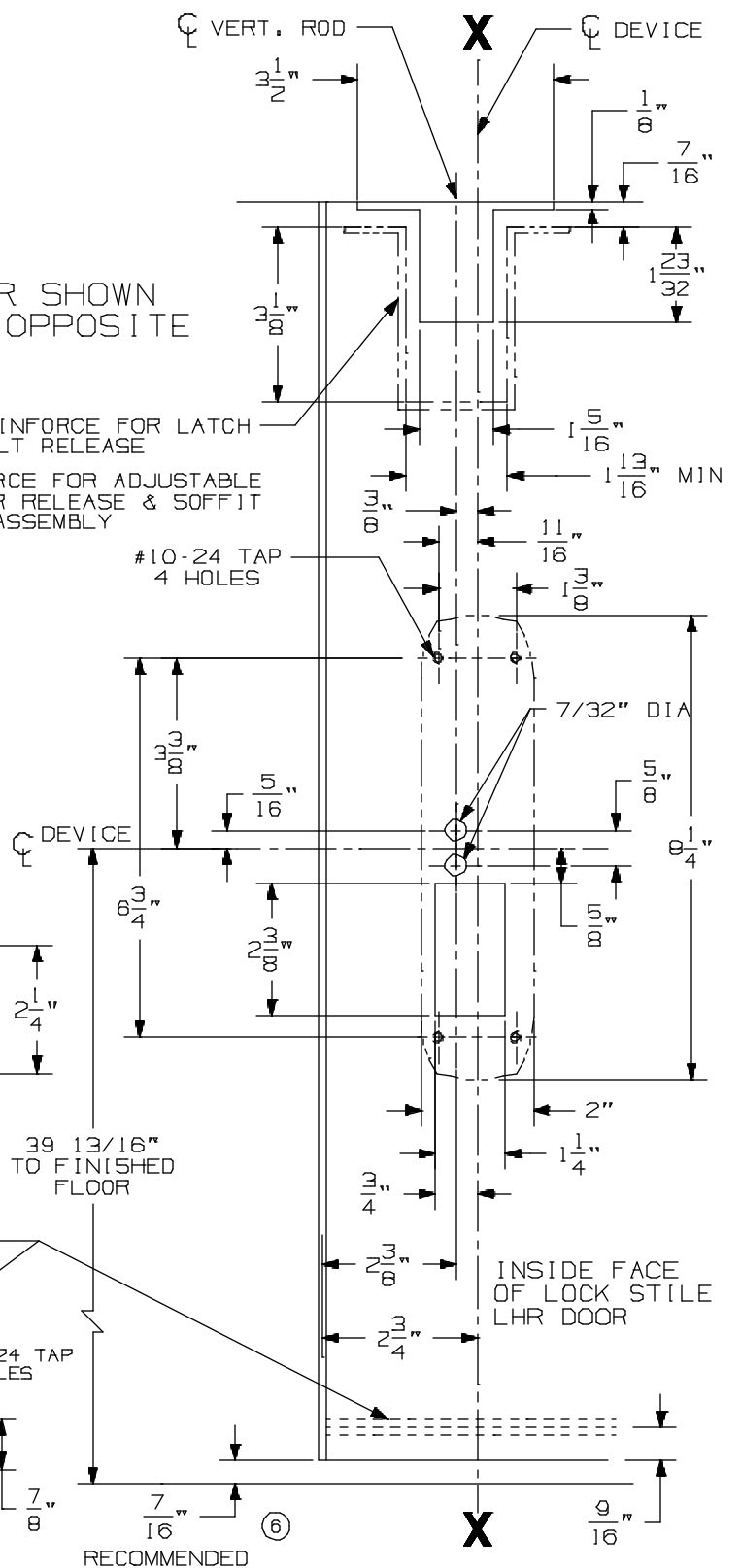


FOR OUTSIDE TRIM PREPARATION, WHEN REQUIRED, SEE ADDITIONAL TRIM TEMPLATE.

LHR SHOWN
RHR OPPOSITE

REINFORCE FOR LATCH
BOLT RELEASE

REINFORCE FOR ADJUSTABLE
PLUNGER RELEASE & SOFFIT
LATCH ASSEMBLY



REINFORCE FOR BOTTOM LATCH
BOLT GUIDE

INSIDE FACE
OF LOCK STILE
LHR DOOR

RECOMMENDED

CROSSBAR 36 13/16" FROM FINISHED FLOOR

8847-F & 8847-F TL Concealed Vertical Rod Device

VON DUPRIN®

NOTES: SEE MASTER SHEET #10001 FOR SUGGESTED REINFORCING

TEMPLATE NUMBER:

10163_a

DATE:
05-15-13