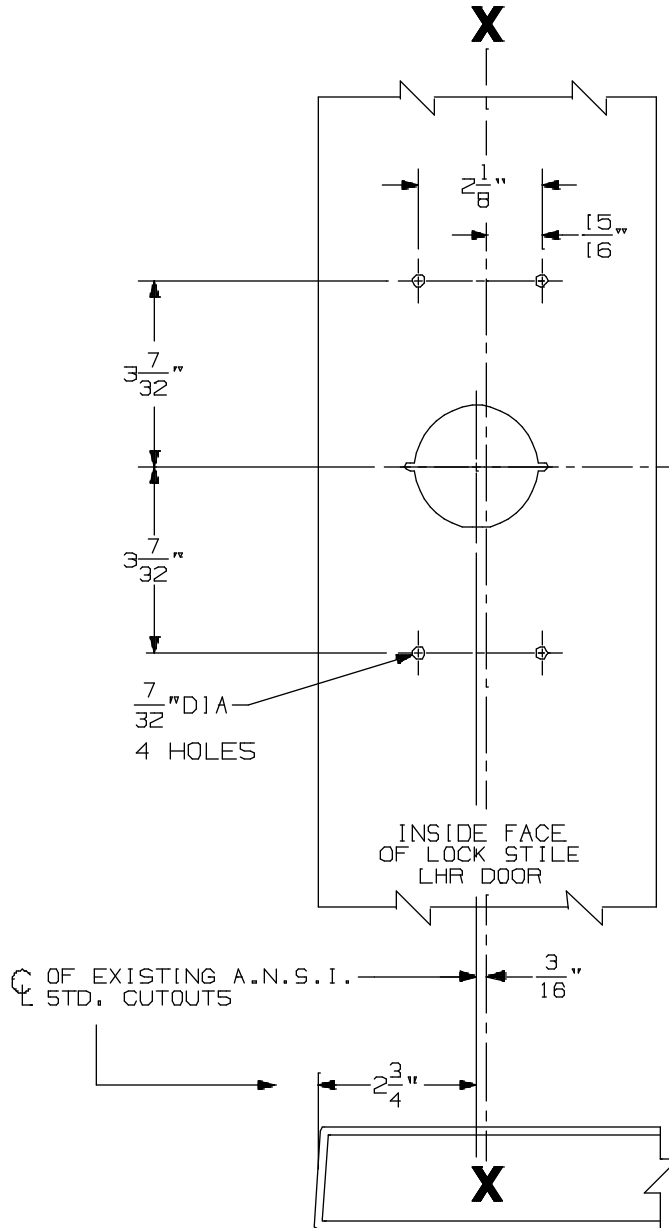


FOR ADDITIONAL INFORMATION SEE TEMPLATE NO. 10155 OR NO. 10169

NOTE: TYPE 161 STOCK HOLLOW METAL APPLICATIONS FOR 88 DEVICES WILL WORK ONLY ON THESE APPLICATIONS: SINGLE DOOR & 299, 299F OR 268 STRIKE. (5)

TYPE 161 STOCK HOLLOW METAL DOOR



NOTE: ALL BACKSET DIMENSIONS FOR $\frac{5}{8}$ " STOP. USE STRIKE SHIMS SUPPLIED FOR $\frac{1}{2}$ " STOP

DEVICE & A.N.S.I. CUTOUTS

SINGLE DOOR OPENING $40\frac{5}{16}$ " TO FINISHED FLOOR

DOUBLE DOOR OPENING WITH VON DUPRIN MULLION $40\frac{5}{16}$ " (5)

VON DUPRIN CUTOUTS ARE LOCATED FROM A.N.S.I. CUTOUTS SEE A.N.S.I. SPECIFICATION NO. A115 FOR THE SIZE AND LOCATION OF THESE CUTOUTS.

FOR OUTSIDE TRIM PREPARATION, WHEN REQUIRED, SEE ADDITIONAL TRIM TEMPLATE.

LHR SHOWN RHR OPPOSITE

88EO & 88DT Rim Devices w/ 880 Trim for Type "161" Stock Hollow Metal Applications

VON DUPRIN®

NOTES: SEE MASTER SHEET #10001 FOR SUGGESTED REINFORCING

TEMPLATE NUMBER:

10194_a

DATE: 05-16-13