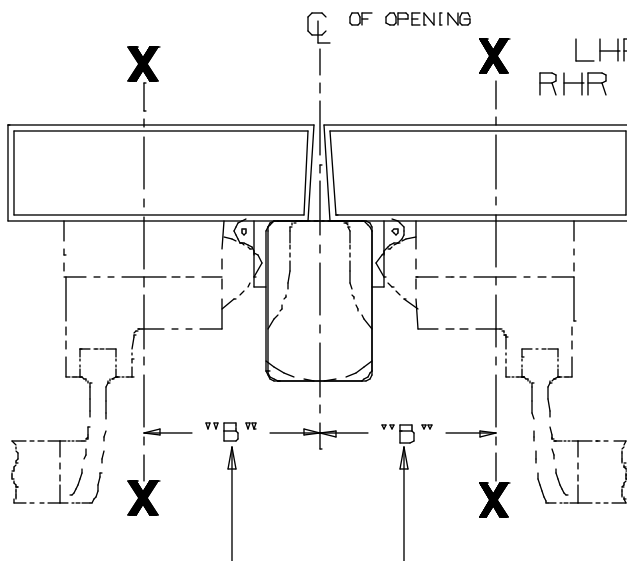
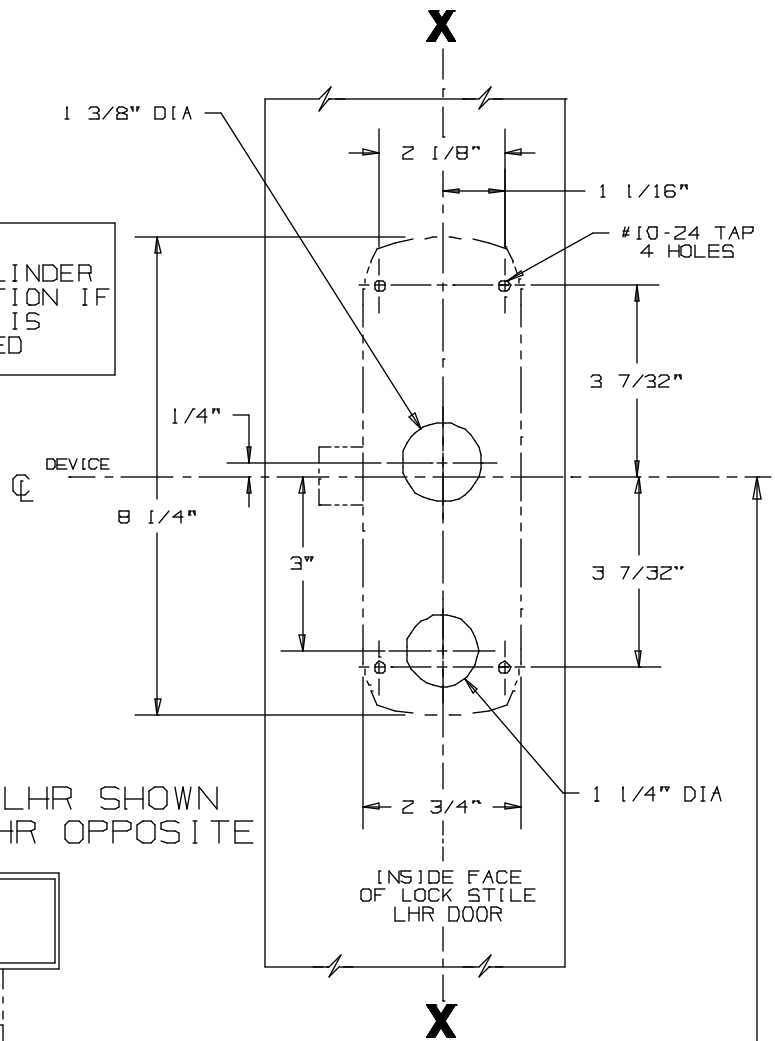


NOTE:  
OMIT CYLINDER  
PREPARATION IF  
CONTROL IS  
SPECIFIED

SINGLE DOOR INSTALLATION		
STRIKE	DIMENSION "B"	MIN. STILE
299	2 3/8"	4 3/8"
264	2 1/8"	4 1/8"
1606	1 15/16"	3 15/16"



DOUBLE DOOR INSTALLATION WITH VON DUPRIN MULLIONS			
MULLION	STRIKE	DIMENSION "B"	MIN. STILE
5654	299	2 15/16"	4 1/4"
5654	264	2 11/16"	4"
4954	299	3 3/8"	4 11/16"
4954	264	3 1/8"	4 7/16"
1654	1606	2 15/16"	4 1/4"

FOR OUTSIDE TRIM PREPARATION,  
SEE ADDITIONAL TRIM TEMPLATE.

SINGLE DOOR OPENING  
39 13/16" TO FINISHED FLOOR

DOUBLE DOOR OPENING  
WITH VON DUPRIN MULLION  
39 11/16" (5)

CROSSBAR 36 13/16" FROM FINISHED FLOOR

## 88K/L Series Rim Devices

# VON DUPRIN®

NOTES: SEE MASTER SHEET #10001 FOR SUGGESTED REINFORCING

TEMPLATE  
NUMBER:

10158\_a

DATE:  
05-16-13