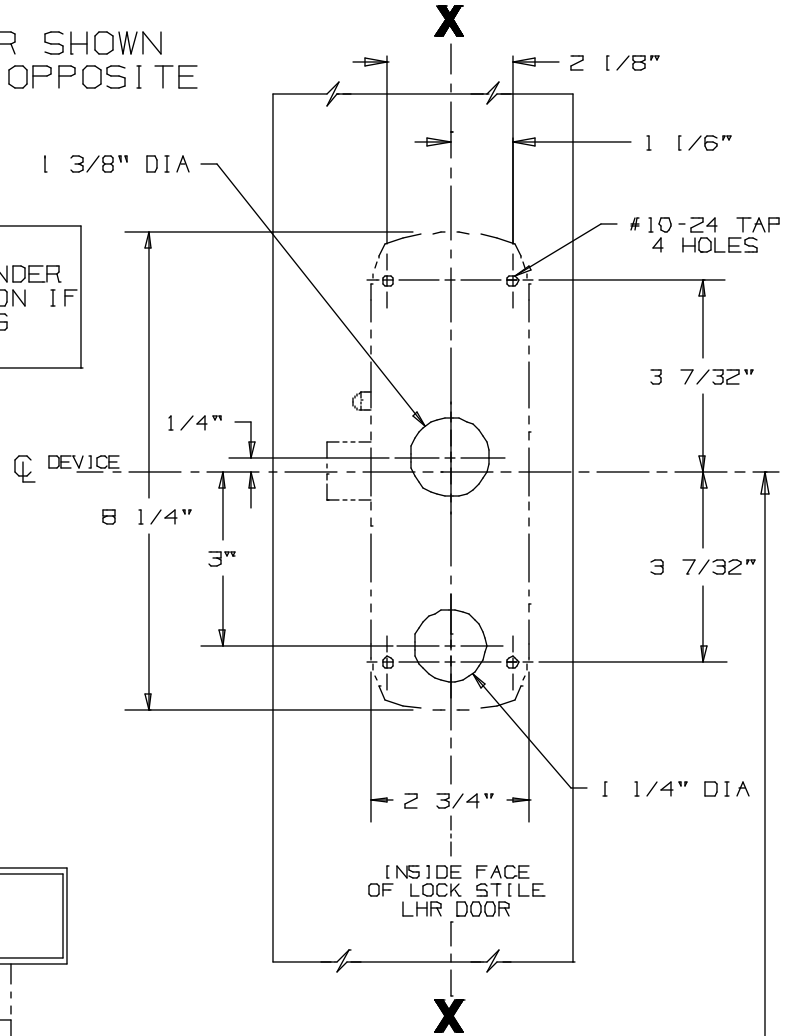


LHR SHOWN
RHR OPPOSITE

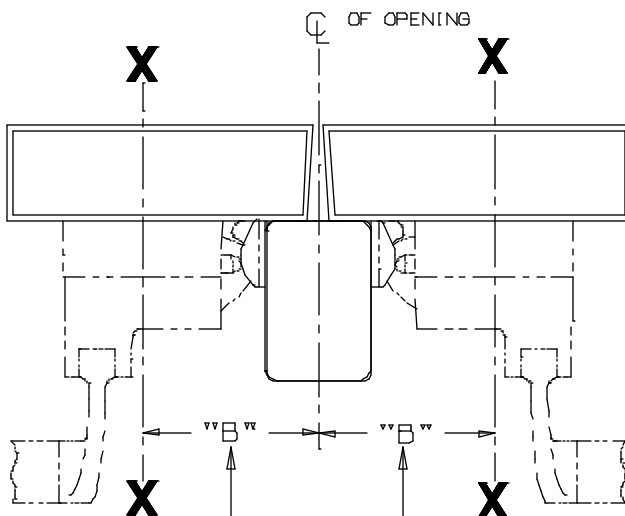
NOTE:
OMIT CYLINDER
PREPARATION IF
CONTROL IS
SPECIFIED

SINGLE DOOR INSTALLATION		
STRIKE	DIMENSION "B"	MIN. STILE
268	2 3/8"	4 3/8"



SINGLE DOOR OPENING
39 13/16" TO FINISHED FLOOR

DOUBLE DOOR OPENING
WITH VON DUPRIN MULLION
39 11/16" (5)



DOUBLE DOOR INSTALLATION WITH VON DUPRIN MULLIONS			
MULLION	STRIKE	DIMENSION "B"	MIN. STILE
9954	268	3 1/2"	4 11/16"
HH9954	468	3 5/8"	4 13/16"

FOR OUTSIDE TRIM PREPARATION,
SEE ADDITIONAL TRIM TEMPLATE.

CROSSBAR 36 13/16" FROM FINISHED FLOOR

88L-F Rim Device

VON DUPRIN®

NOTES: SEE MASTER SHEET #10001 FOR SUGGESTED REINFORCING

TEMPLATE
NUMBER:

10172_b

DATE:
05-21-21