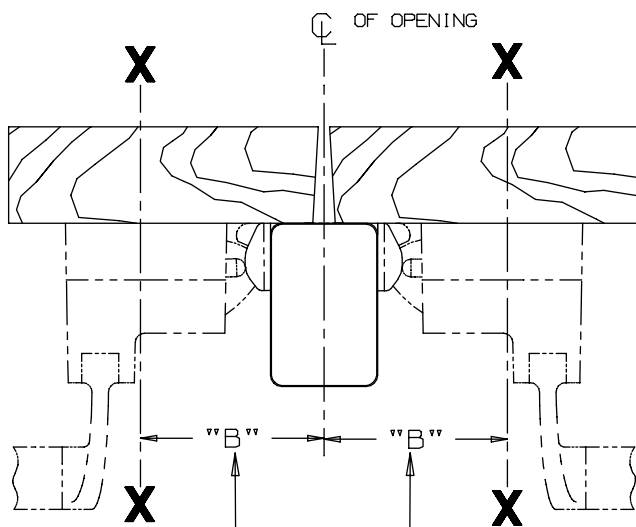
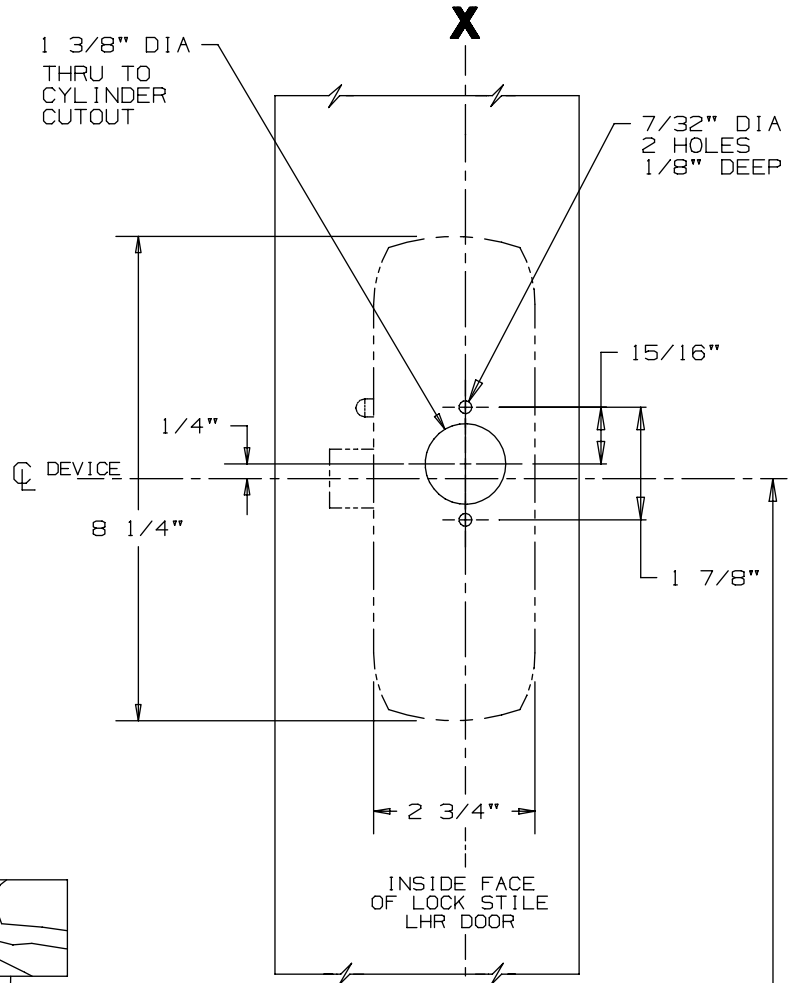


SINGLE DOOR INSTALLATION		
STRIKE	DIMENSION "B"	MIN. STILE
268	2 1/2"	4 3/8"



DOUBLE DOOR INSTALLATION WITH VON DUPRIN MULLIONS			
MULLION	STRIKE	DIMENSION "B"	MIN. STILE
9954	268	3 1/2"	4 11/16"

SINGLE DOOR OPENING  
39 13/16" TO FINISHED FLOOR

DOUBLE DOOR OPENING  
WITH VON DUPRIN MULLION  
39 11/16" TO FINISHED FLOOR

①

CROSSBAR 36 13/16" FROM FINISHED FLOOR

LHR SHOWN  
RHR OPPOSITE

FOR OUTSIDE TRIM PREPARATION, WHEN REQUIRED,  
SEE ADDITIONAL TRIM TEMPLATE.

NOTE: MOUNTING HOLES TO BE PREPARED  
AT INSTALLATION ON DOOR.

## 88NL-F Series Rim Device (Wood Door)

# VON DUPRIN®

NOTES: SEE MASTER SHEET #10001 FOR SUGGESTED REINFORCING

TEMPLATE  
NUMBER:

W10170\_a

DATE:  
05-29-13