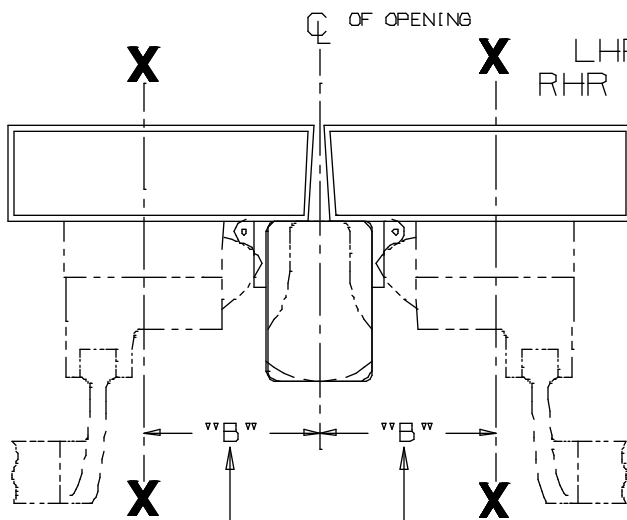
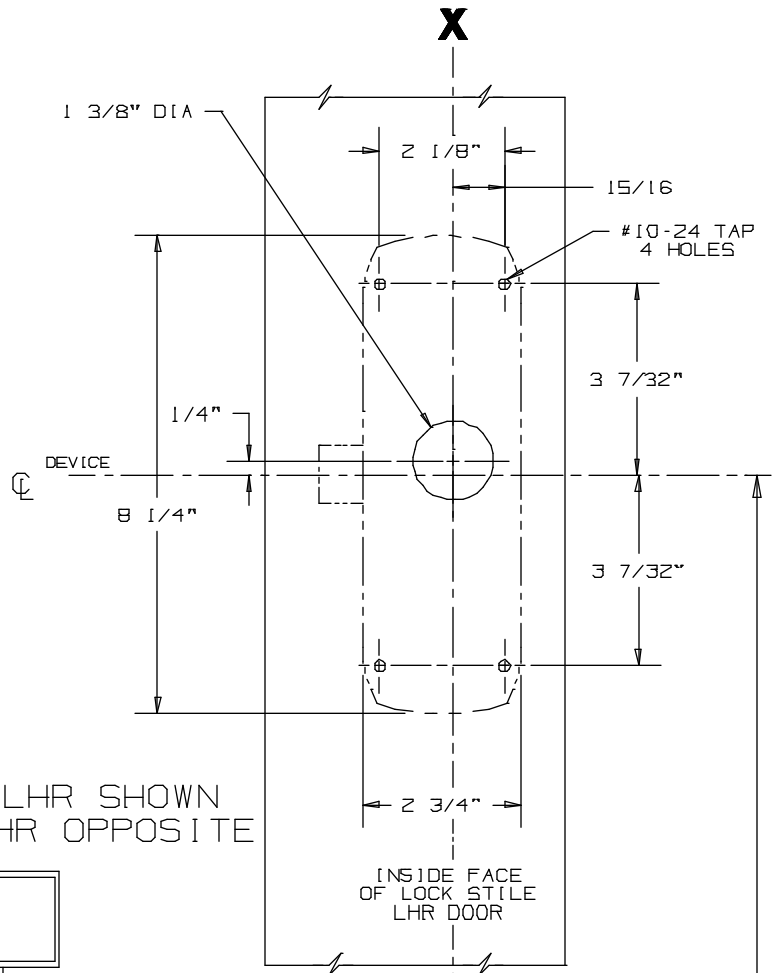


SINGLE DOOR INSTALLATION		
STRIKE	DIMENSION "B"	MIN. STILE
299	2 1/2"	4 3/8"
264	2 1/4"	4 1/8"
1606	2 1/16"	3 15/16"



DOUBLE DOOR INSTALLATION WITH VON DUPRIN MULLIONS			
MULLION	STRIKE	DIMENSION "B"	MIN. STILE
5654	299	3 1/16"	4 1/4"
5654	264	2 13/16"	4"
4854	299	3 1/2"	4 11/16"
4954	264	3 1/4"	4 7/16"
1654	1606	3 1/16"	4 1/4"

SINGLE DOOR OPENING
39 13/16 TO FINISHED FLOOR

DOUBLE DOOR OPENING
WITH VON DUPRIN MULLION
39 11/16" (4)

FOR OUTSIDE TRIM PREPARATION,
SEE ADDITIONAL TRIM TEMPLATE.

CROSSBAR 36 13/16" FROM FINISHED FLOOR

88NL Rim Devices

VON DUPRIN®

NOTES: SEE MASTER SHEET #10001 FOR SUGGESTED REINFORCING

TEMPLATE
NUMBER:

10156_a

DATE:
05-16-13