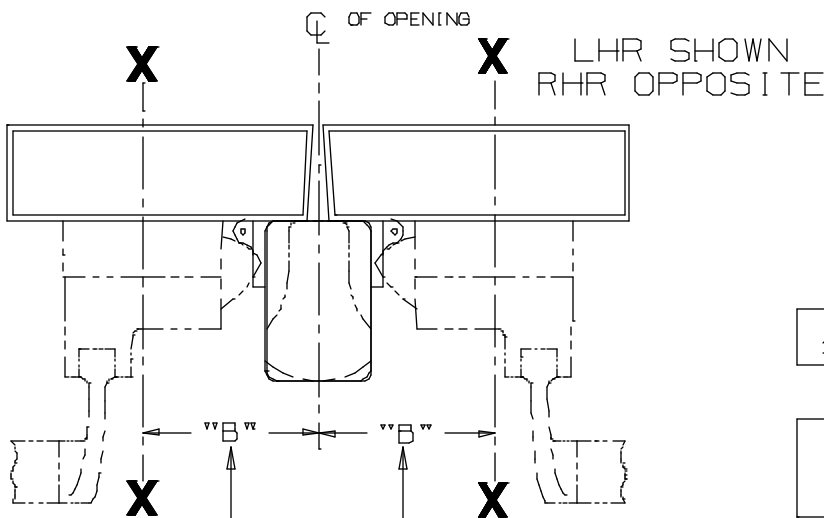
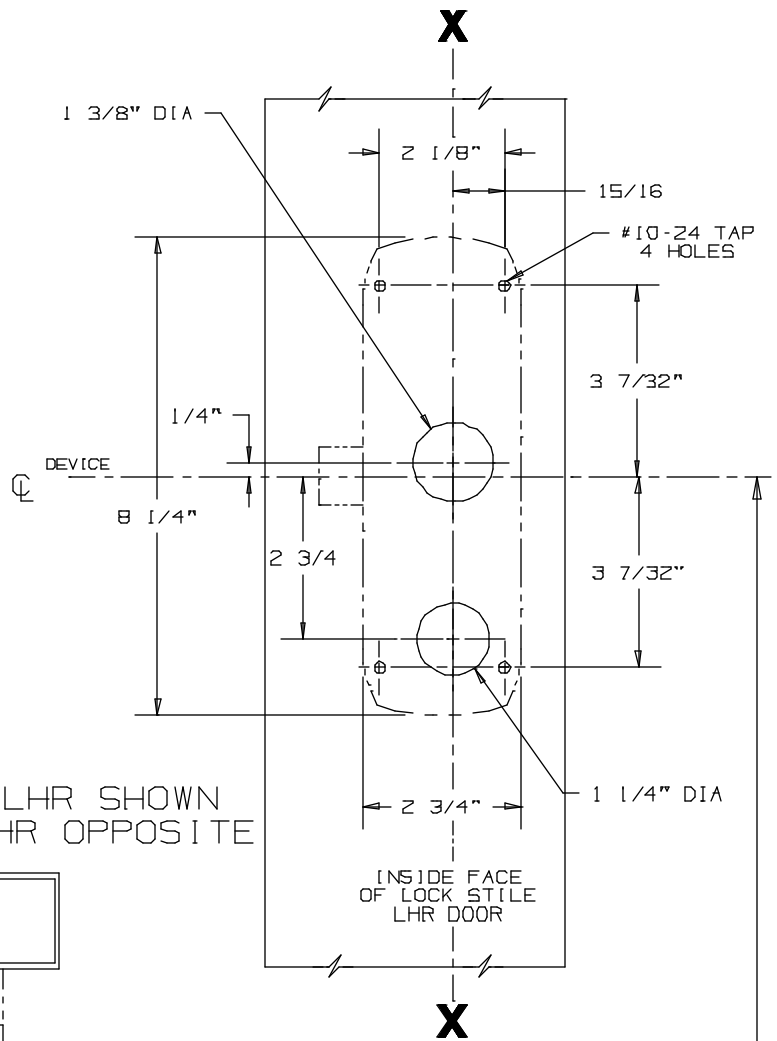


SINGLE DOOR INSTALLATION			
STRIKE	DIMENSION "B"	MIN. STILE	
299	2 1/2"	4 3/8"	
264	2 1/4"	4 1/8"	
1606	2 1/16"	3 15/16"	



DOUBLE DOOR INSTALLATION WITH VON DUPRIN MULLIONS			
MULLION	STRIKE	DIMENSION "B"	MIN. STILE
5654	299	3 1/16"	4 1/4"
5654	264	2 13/16"	4"
4954	299	3 1/2"	4 11/16"
4954	264	3 1/4"	4 7/16"
1654	1606	3 1/16"	4 1/4"

FOR OUTSIDE TRIM PREPARATION, SEE ADDITIONAL TRIM TEMPLATE.

SINGLE DOOR OPENING  
39 13/16" TO FINISHED FLOOR

DOUBLE DOOR OPENING  
WITH VON DUPRIN MULLION  
39 11/16" (6)

CROSSBAR 36 13/16" FROM FINISHED FLOOR

## 88TP & 88TP-2 Series Rim Devices

# VON DUPRIN®

NOTES: SEE MASTER SHEET #10001 FOR SUGGESTED REINFORCING

TEMPLATE NUMBER:

10157\_a

DATE:  
05-16-13