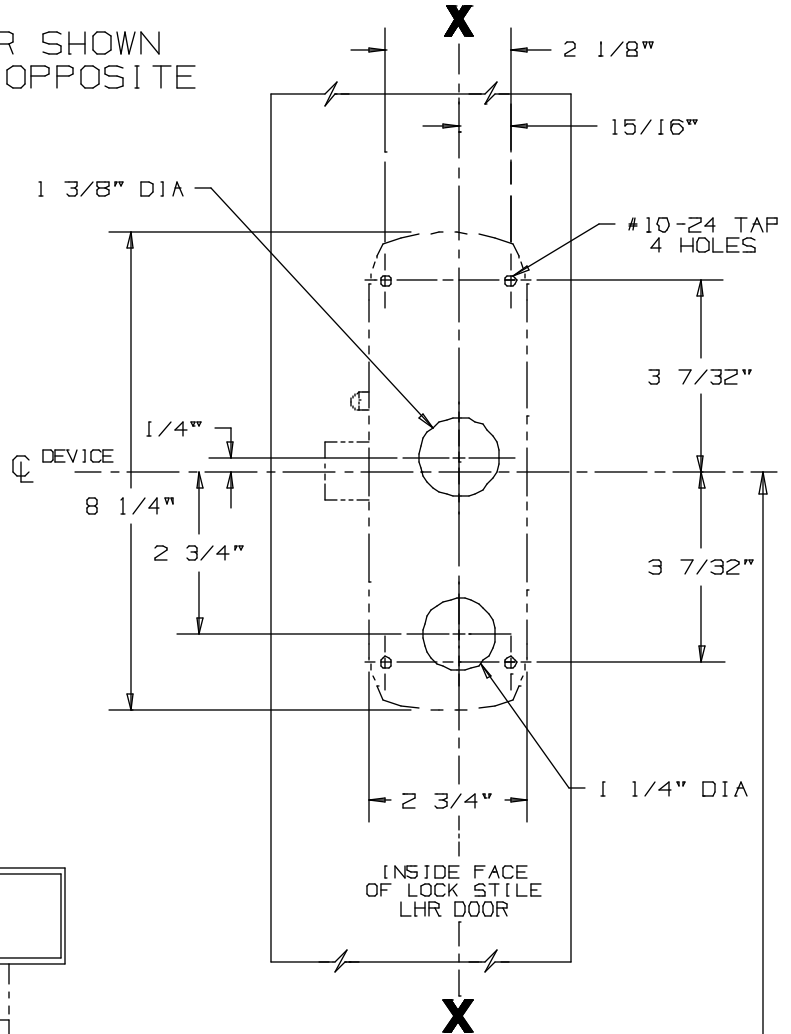


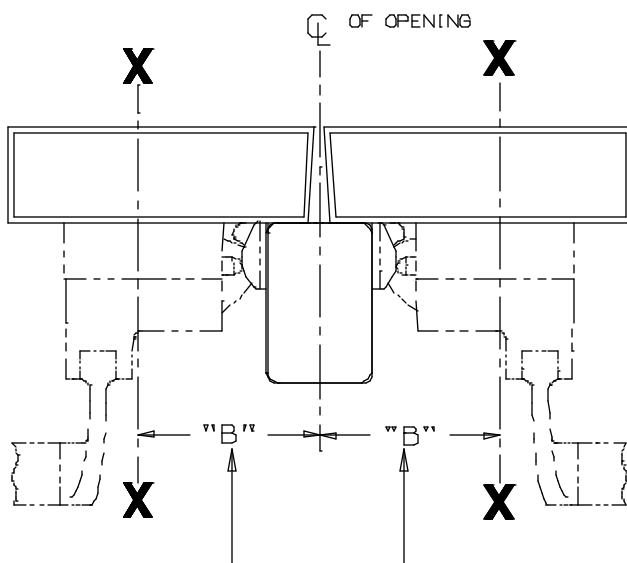
SINGLE DOOR INSTALLATION		
STRIKE	DIMENSION "B"	MIN. STILE
268	2 1/2"	4 3/8"

LHR SHOWN  
RHR OPPOSITE



SINGLE DOOR OPENING  
39 13/16" TO FINISHED FLOOR

DOUBLE DOOR OPENING  
WITH VON DUPRIN MULLION  
39 11/16" (3)



DOUBLE DOOR INSTALLATION WITH VON DUPRIN MULLIONS			
MULLION	STRIKE	DIMENSION "B"	MIN. STILE
9954	268	3 1/2"	4 11/16"
HH9954	468	3 5/8"	4 13/16"

FOR OUTSIDE TRIM PREPARATION,  
SEE ADDITIONAL TRIM TEMPLATE.

CROSSBAR 36 13/16" FROM FINISHED FLOOR

## 88TP-F Rim Device

# VON DUPRIN®

NOTES: SEE MASTER SHEET #10001 FOR SUGGESTED REINFORCING

TEMPLATE  
NUMBER:

10171\_b

DATE:  
05-21-21