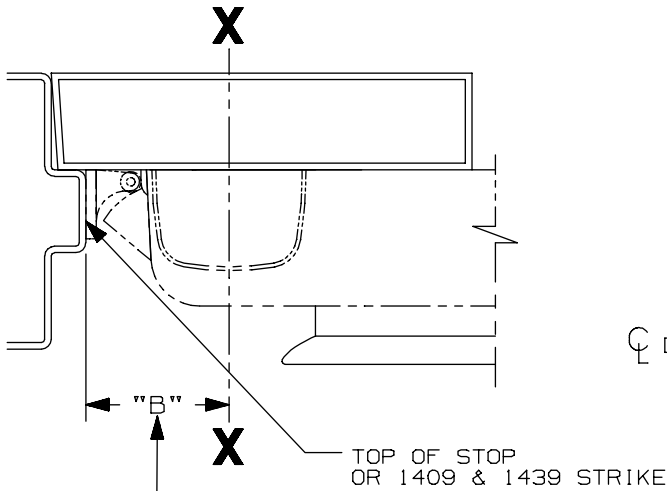
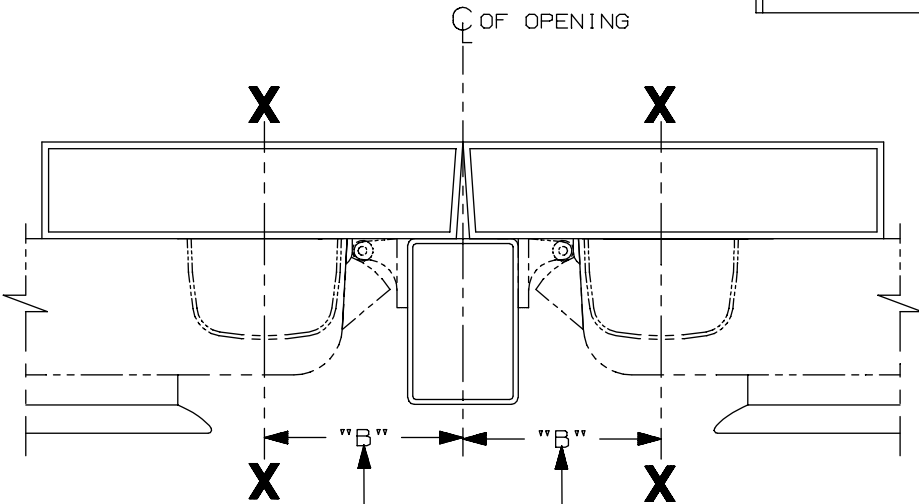
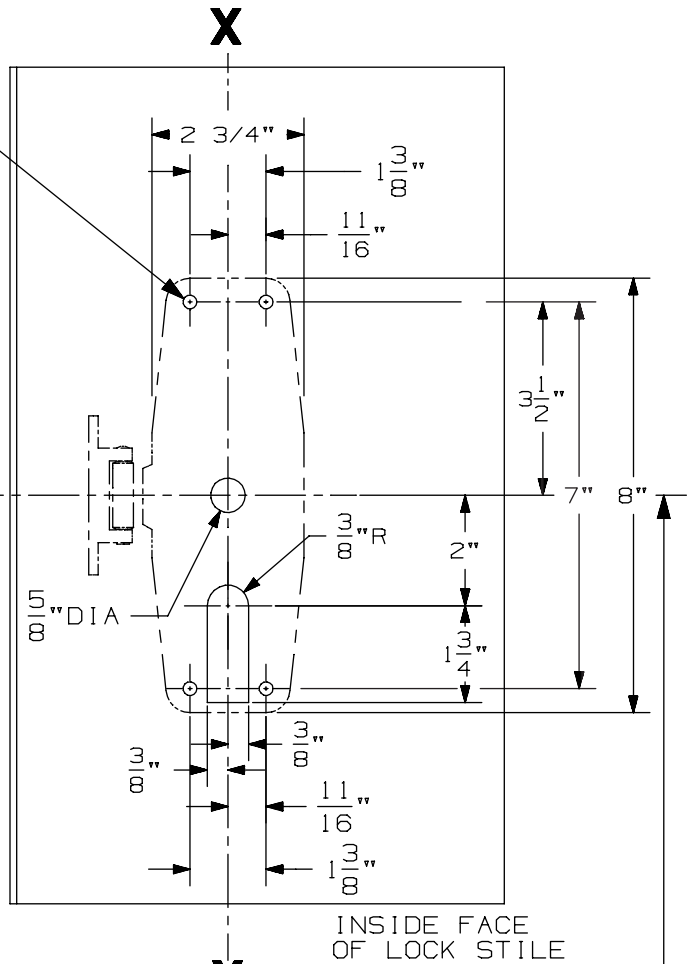


APPLICATION	PREPARATION
990 TRIM APPLICATION	1/4" DIA THIS SIDE 13/32" DIA OPPOSITE SIDE 4 PLACES



SINGLE DOOR INSTALLATION			
STRIKE	DIM. "B"	MIN. STILE 990/991/992 TRIM	MIN. STILE 696/697 TRIM
299 & 299-F	2 3/8"	4 1/2"	4 3/8"
1409 & 1439	1 9/16"	3 13/16"	3 13/16"
1606	1 15/16"	4 1/16"	3 15/16"



SINGLE DOOR OPENING  
39 13/16" TO FINISHED FLOOR

DOUBLE DOOR OPENING  
WITH VON DUPRIN MULLION  
39 11/16"

LHR APPLICATION SHOWN  
RHR APPLICATION OPPOSITE

DOUBLE DOOR INSTALLATION WITH VON DUPRIN MULLIONS				
MULLION	STRIKE	DIM. "B"	MIN. STILE 990/991/992 TRIM	MIN. STILE 696/697 TRIM
4954	299	3 3/8"	4 7/8"	4 3/4"
9954	499-F	3 1/2"	5"	4 7/8"
5654	299	2 15/16"	4 3/8"	4 1/4"
5754	1408	2 1/8"	3 13/16"	3 13/16"
1654	1606	2 15/16"	4 3/8"	4 1/4"
HH9954	499-F	3 1/2"	5"	4 7/8"

**NOTES:**

1. FOR STOCK HOLLOW METAL DOORS, SEE TEMPLATE 10309 FOR TYPE "161" CUTOUT AND 10315 FOR TYPE "86" CUTOUT.
2. GLASS BEAD KIT AVAILABLE WHEN REQUIRED.
3. FOR OUTSIDE TRIM PREPARATION, WHEN REQUIRED, SEE TRIM TEMPLATE.
4. IT IS RECOMMENDED THE MOUNTING HOLES BE PREPARED IN THE FIELD.

98/99-2, 98/99-F-2, 98/99-2 SI, & 98/99-F-2 SI  
TP, K, & L Series, Double Cylinder Rim Device

**VON DUPRIN**®

NOTES: SEE MASTER SHEET #10001 FOR SUGGESTED REINFORCING

TEMPLATE  
NUMBER:

10322\_e

DATE:  
04-26-22