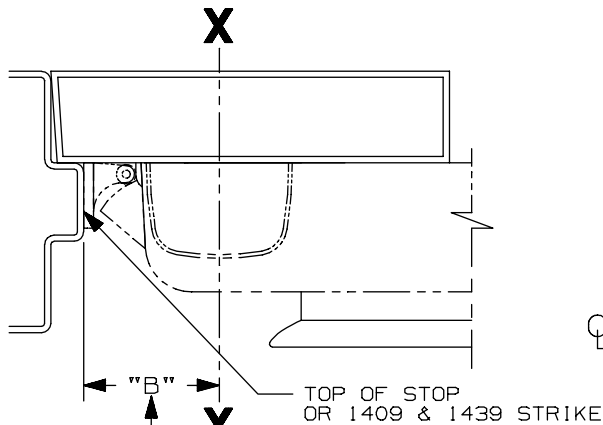
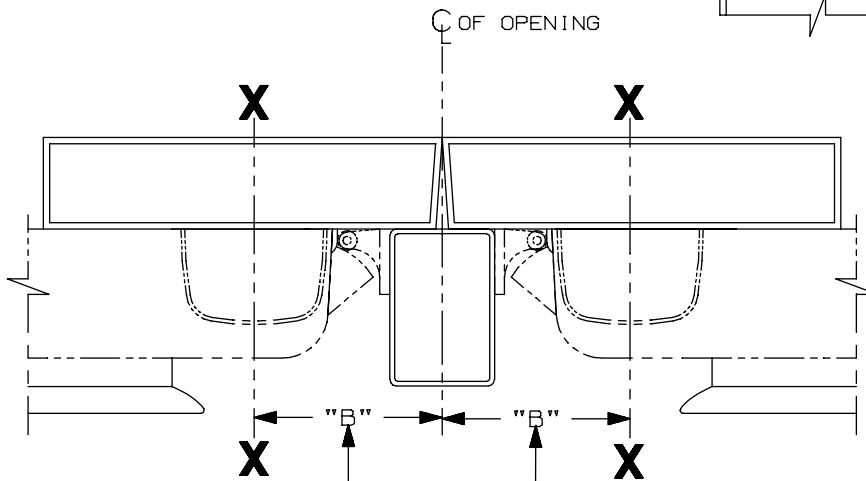
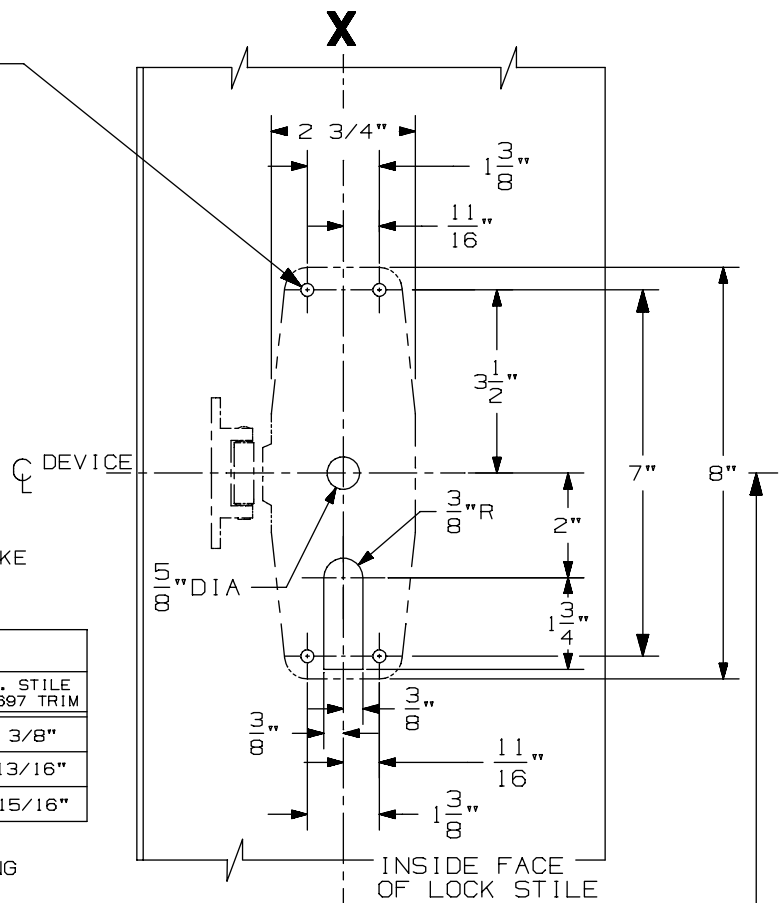


| APPLICATION | PREPARATION |
|--|--|
| SURFACE APPLICATION | #10-24 TAP 4 PLACES |
| 990 TRIM APPLICATION OR SEX BOLT APPLICATION (SEE NOTE 1) | 1/4" DIA THIS SIDE 13/32" DIA OPPOSITE SIDE - 4 PLACES |



| SINGLE DOOR INSTALLATION | | | |
|--------------------------|----------|--------------------------------|----------------------------|
| STRIKE | DIM. "B" | MIN. STILE 990/991/992 TRIM | MIN. STILE 696/697 TRIM |
| 299 & 299-F | 2 3/8" | 4 1/2" | 4 3/8" |
| 1409 & 1439 | 1 9/16" | 3 13/16" | 3 13/16" |
| 1606 | 1 15/16" | 4 1/16" | 3 15/16" |



SINGLE DOOR OPENING
39 13/16" TO FINISHED FLOOR

DOUBLE DOOR OPENING
WITH VON DUPRIN MULLION
39 11/16"

LHR APPLICATION SHOWN
RHR APPLICATION OPPOSITE

| DOUBLE DOOR INSTALLATION WITH VON DUPRIN MULLIONS | | | | |
|--|--------|----------|--------------------------------|----------------------------|
| MULLION | STRIKE | DIM. "B" | MIN. STILE 990/991/992 TRIM | MIN. STILE 696/697 TRIM |
| 4954 | 299 | 3 3/8" | 4 7/8" | 4 3/4" |
| 9954 | 499-F | 3 1/2" | 5" | 4 7/8" |
| 5654 | 299 | 2 15/16" | 4 3/8" | 4 1/4" |
| 5754 | 1408 | 2 1/8" | 3 13/16" | 3 13/16" |
| 1654 | 1606 | 2 15/16" | 4 3/8" | 4 1/4" |
| HH9954 | 499-F | 3 1/2" | 5" | 4 7/8" |

- NOTES:
1. THESE FOUR HOLES TO BE PREPARED FOR SURFACE APPLICATION WHEN USING 696/697 TRIM. DO NOT PREPARE FOR SEX BOLTS.
 2. FOR STOCK HOLLOW METAL DOORS SEE TEMPLATE NO. 10309 FOR TYPE "161" CUTOUT AND 10315 FOR TYPE "86" CUTOUT.
 3. GLASS BEAD KIT AVAILABLE WHEN REQUIRED.
 4. FOR OUTSIDE TRIM PREPARATION, WHEN REQUIRED, SEE TRIM TEMPLATE.

98/99 & 98-F/99-F TP, K, & L Series Rim Devices

VON DUPRIN®

NOTES: SEE MASTER SHEET #10001 FOR SUGGESTED REINFORCING

TEMPLATE
NUMBER:

10302_b

DATE:
05-24-21