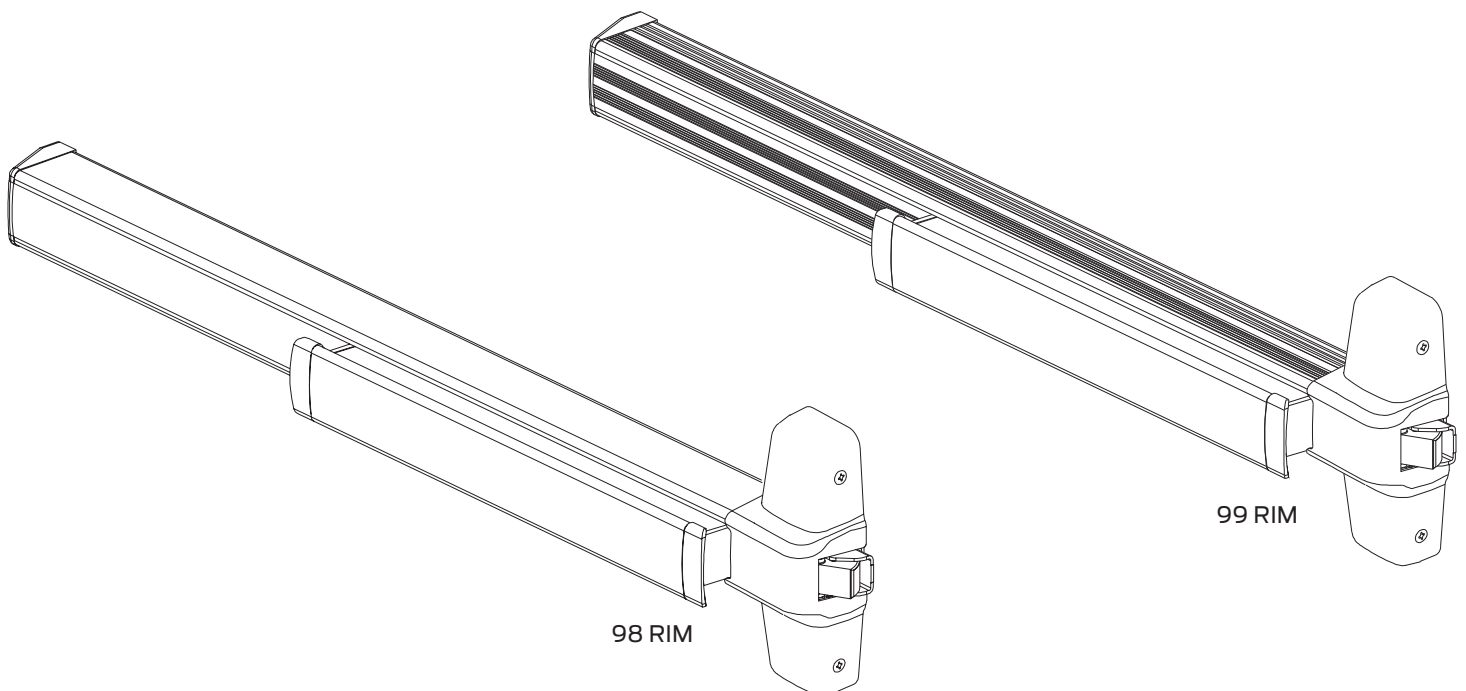


**VON DUPRIN®**

# 98/99 Series Rim Exit Devices

Service manual



# INDEX

|   |       |
|---|-------|
| 98/99 Rim Devices                                   |       |
| Basic Panic Device .....                            | 4-5   |
| Basic Fire Device .....                             | 6-7   |
| Baseplate Assemblies .....                          | 8     |
| Center Case Assembly .....                          | 9     |
| <br>  |       |
| Variations of the Basic Device                      |       |
| CD (Cylinder Dogging) .....                         | 4-5   |
| 98/99-2 (Double Cylinder) .....                     | 10    |
| E98/99 (Electric Locking ) .....                    | 11    |
| HD-EL (Hex Dogging/Electric Latch Retraction) ..... | 12    |
| EL (Electric Latch Retraction) .....                | 13    |
| SS (Signal Switch) .....                            | 13    |
| RX (Request to Exit) .....                          | 14-15 |
| LX (Latch Bolt Monitoring) .....                    | 14-15 |
| CX (Chexit Discontinued) .....                      | 16    |
| CX (Chexit New) .....                               | 17    |
| CX (Chexit New RCM/DE5300 Option) .....             | 18    |
| CX-CD/SD (Chexit/Special Dogging) .....             | 19    |
| ALK (Exit Alarm Kit) .....                          | 20    |
| <br>  |       |
| Service Replacement Items .....                     | 21-22 |
| <br>  |       |
| General Information                                 |       |
| Introduction .....                                  | 2     |
| How to Order .....                                  | 2     |
| Part Number Changes .....                           | 2     |
| Finishes .....                                      | 3     |
| Outside Trim Functions .....                        | 3     |
| Strikes .....                                       | 3     |

## INTRODUCTION

This manual contains a listing of replaceable parts and assemblies for the 98/99 Rim Exit Hardware Devices. 98 Series and 99 Series devices are almost identical. The 99 Series has a grooved case; the 98 Series has a smooth case.

## HOW TO ORDER

Some parts are sold separately. Other items are available as part of a kit or multiple quantity package. For the best possible service when ordering replacement parts or assemblies, please provide the following information:

- Part number or assembly number
- Description
- Quantity needed
- Finish desired (if available finished)
- Date of original purchase (if known)

To find out the name of your local Von Duprin distributor or sales representative, contact:

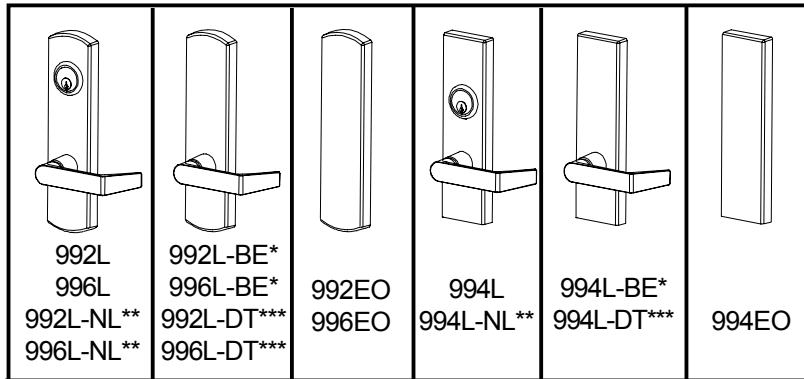
Von Duprin Division  
Allegion  
2720 Tobey Drive  
Indianapolis, IN 46219  
Phone: 877-671-7011

## PART NUMBER AND AVAILABILITY CHANGES

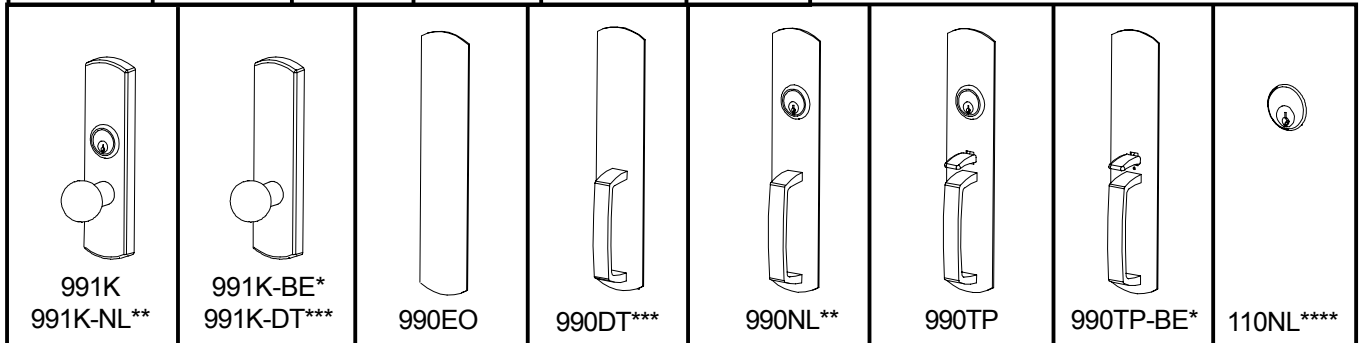
This manual was designed to help illustrate the replacement parts and kits that are available for sale. Because of changes to the product and/or manufacturing process, part numbers and availability can change over time.

## 98/99 SERIES FINISHES

### OUTSIDE TRIM FUNCTIONS



| U.S. Std Reference | BHMA Reference | Description                         |
|--------------------|----------------|-------------------------------------|
| US3                | 605            | Polished Brass                      |
| US4                | 606            | Dull Brass                          |
| US10               | 612            | Dull Bronze                         |
| US15               | 619            | Satin Nickel                        |
| US26               | 625            | Polished Chrome                     |
| US26D              | 626            | Dull Chrome                         |
| US28               | 628            | Anodized Alum. (Clear)              |
| US32D              | 630            | Satin Stainless Steel               |
| 313AN              | 710            | Anodized Alum. (313)<br>Dark Bronze |
| 315AN              | 711            | Anodized Alum. (Black)              |



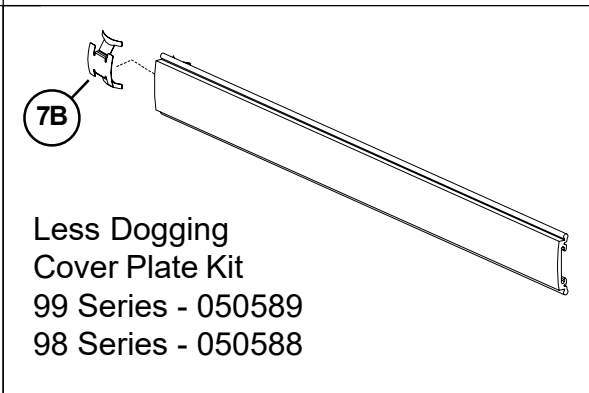
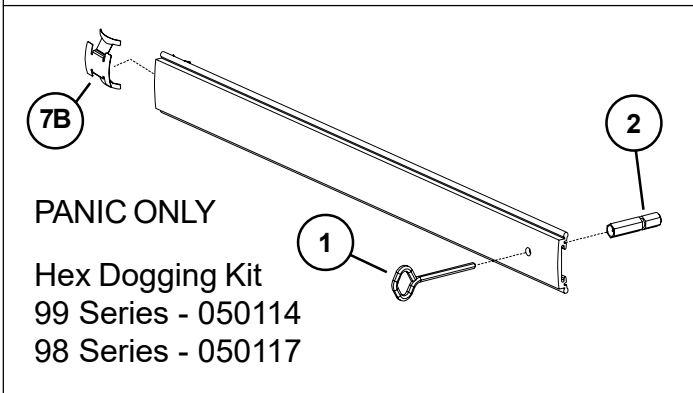
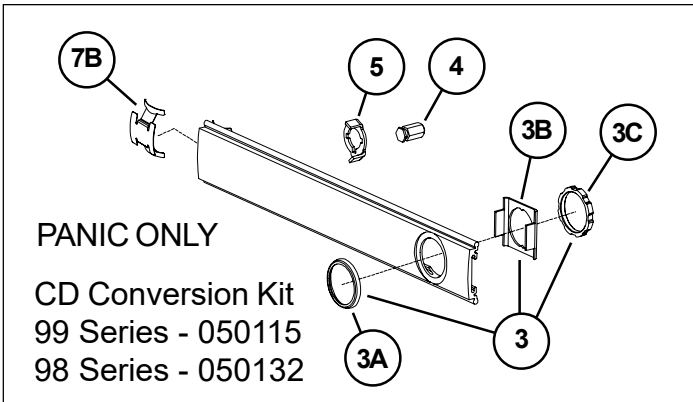
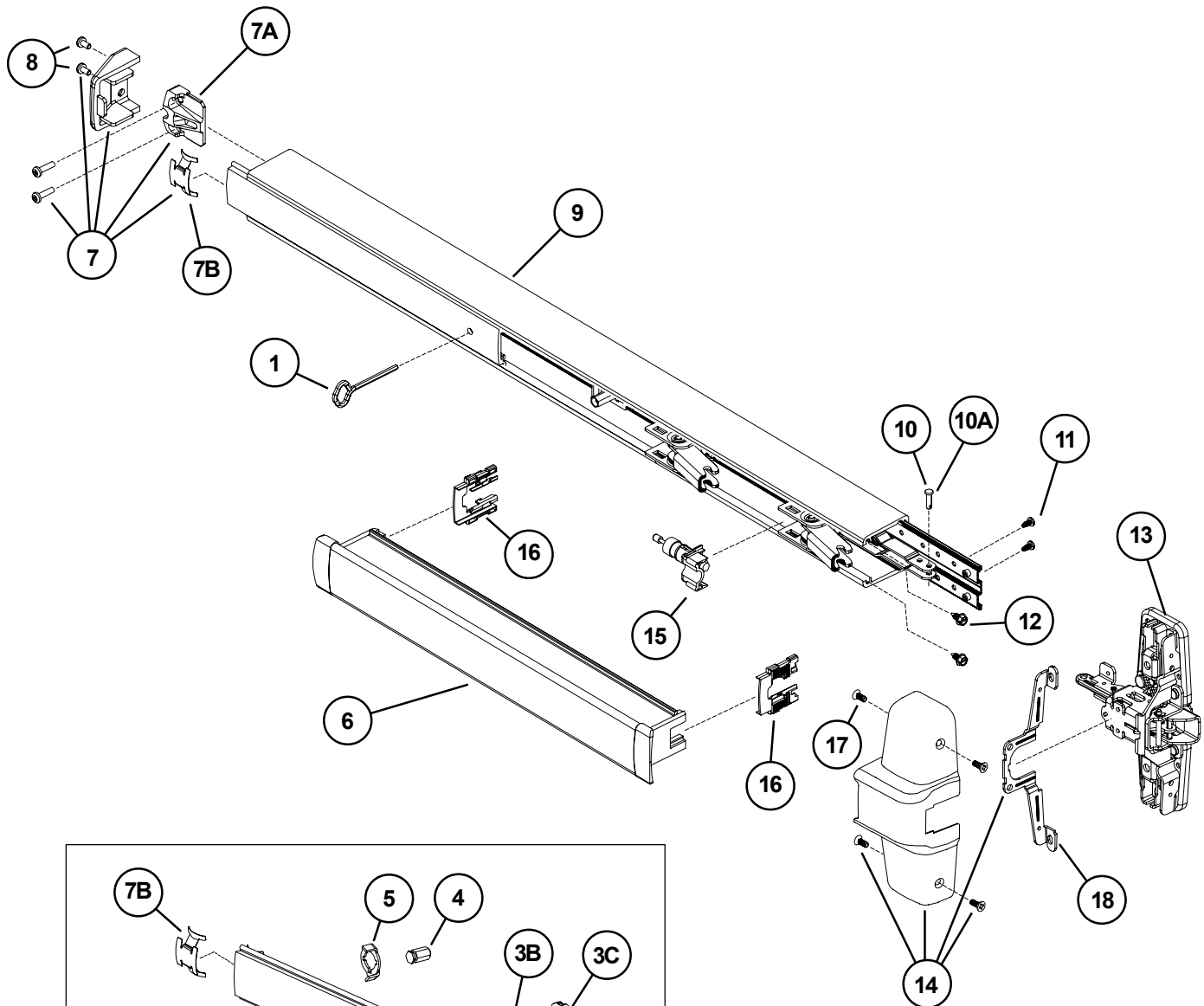
- \* "BE" (Blank Escutcheon) no cylinder used - lever always active
- \*\* "NL" (Night Latch) rigid lever - key retracts latch bolt
- \*\*\* "DT" (Dummy Trim) rigid lever for pull operation
- \*\*\*\* Optional Pull needs to be added

- ① Metal Door Screw Package PKGSRV.1023 (Pkg of 10)
- ① Wood Door Screw 964291 (Qty of 1)

### STRIKES

|   |  |   |   |  |
|---|--|---|---|--|
| <p>Adjusting Shim 970321</p> <p>Strike Plate 970323</p> <p><b>299 Strike - Standard Single or Double Door Panic Exit Hardware</b></p>           | <p>Adjusting Shim 945521</p> <p><b>299F Strike - Single Door Fire Exit Hardware</b></p>                                    | <p>Adjusting Shim 945521</p> <p><b>264 Strike - Single Door Panic Exit Hardware</b></p>   | <p>Adjusting Shim 945521</p> <p>Strike Hook 969300</p> <p><b>499F Strike - Double Door w/Mullion Fire Exit Hardware</b></p> | <p><b>1609 Strike - Double Door Rim/Vertical Rod Combination (Consult Factory)</b></p> |
| <p>Wear plate 960012</p> <p>Rivets 963074</p> <p>Screw Pkg 900254</p> <p><b>1410 Strike - Single Door Integral Stop Panic Exit Hardware</b></p> | <p>Adjusting Shim 961084</p> <p>Screw Pkg 900263</p> <p><b>1606 Strike - Single or Double Door Panic Exit Hardware</b></p> | <p>Adjusting block 971995</p> <p>Wear plate 971998</p> <p>Drive nuts 4299101022</p> <p><b>1439 Strike - Single door Panic Exit Hardware</b></p> | <p>Screw Pkg 900253</p> <p><b>1408 Strike - Double Door Used on 5754 Mullions Panic Exit Hardware</b></p>                   |  |

# 98/99 RIM PANIC DEVICE



## 98/99 RIM PANIC DEVICE

| Item No. | Quantity | Part No. | Description                                  | Finish |
|----------|----------|----------|--|--------|
|          | 1        | 900561   | 98/99 Series Mounting Pkg. (1-3/4 & 2-1/4)   |        |
| 1        | 1        | 090085   | 227 Dog Key 5/32" Hex (Pkg of 10)            |        |
| 1        | 1        | 090005   | 227 Dog Key 5/32" Hex (Pkg of 2)             |        |
| 2        | 1        | 090040   | Hex Dog Shaft (Pkg of 2)                     |        |
| 3        | 1        | 107813   | Cylinder Mounting Pkg                        | X      |
| 3A       | 1        | 050525   | Cylinder Collar                              | X      |
| 3B       | 1        | 050490   | Cylinder Locating Washer - CD/SS             |        |
| 3C       | 1        | 050526   | Cylinder Locknut                             |        |
| 4        | 1        | 090046   | CD Dogging Plug (Pkg of 2)                   |        |
| 5        | 1        | 090045   | CD Actuator Arm (Pkg of 2)                   |        |
| 6        | 1        | *PBKIT   | 98/99 Series Push Bar Retrofit Kit - 3' Door | X      |
| 6        | 1        | *PBKIT   | 98/99 Series Push Bar Retrofit Kit - 4' Door | X      |
| 7        | 1        | 050014   | 98/99 Series End Cap Kit                     | X      |
| 7A       | 1        | 050524   | Impact Resistant End Cap Bracket             |        |
| 7B       | 1        | 090036   | Cover Plate Anti-rattle Spring (Pkg of 10)   |        |
| 8        | 1        | 900597   | Device End Cap and C/Case Screw Pkg.         | X      |
| 9        | 1        | 968144   | 99 Series Mechanism Case - 3' Door           | X      |
| 9        | 1        | 968146   | 99 Series Mechanism Case - 4' Door           | X      |
| 9        | 1        | 970191   | 98 Series Mechanism Case - 3' Door           | X      |
| 9        | 1        | 970192   | 98 Series Mechanism Case - 4' Door           | X      |
| 10       | 1        | 050529   | Control Link Pin                             |        |
| 10A      | 1        | 090031   | Control Link Pin (Pkg of 10)                 |        |
| 11       | 2        | 090037   | #8-32 x 3/8" Baseplate Screw (Pkg of 10)     |        |
| 12       | 2        | 090073   | Mechanism Case Bracket Screw (Pkg of 10)     |        |
| 13***    | 1        | 050020   | 98/99 Rim Center Case Less Cover             |        |
| 14**     | 1        | 050071   | 98/99 Rim Center Case Cover Kit              | X      |
| 15       | 1        | 050491   | Shock Absorber & Holder Assembly             |        |
| 16       | 2        | 090049   | Push Bar Guide (Pkg of 10)                   |        |
| 17       | 4        | 900892   | Center Case Cover Screws (Pkg of 4)          | X      |
| 18       | 1        | 050564   | Center Case Cover Bracket                    |        |

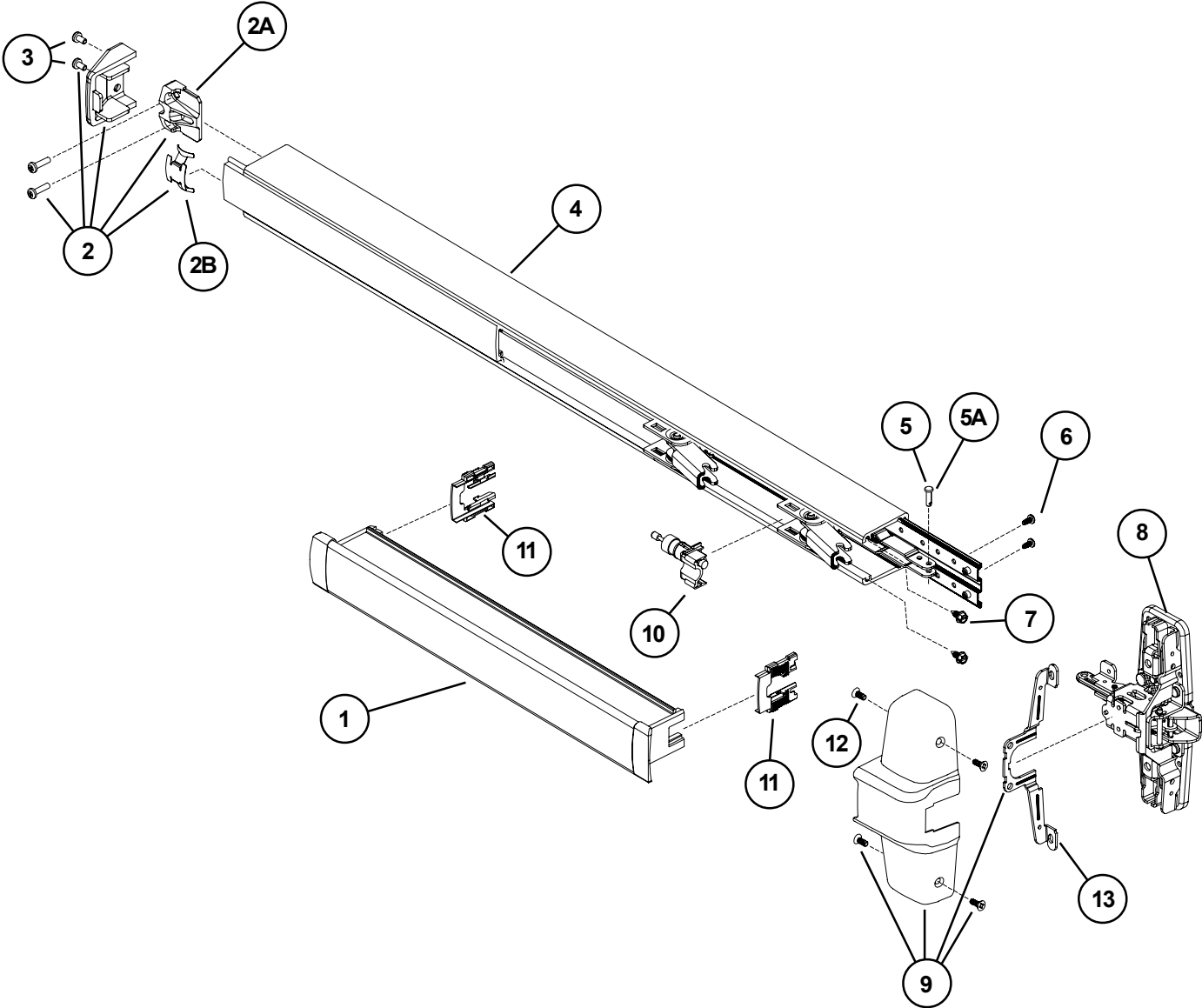
X in "Finish" column designates finished items; finish must be specified when ordering.

\* To order, specify device type, size, and finish. Example: PBKIT 98 3' US28

\*\*Includes parts for three piece cover conversion

\*\*\*Center case assembly parts shown on page 9.

# 98/99-F FIRE DEVICE



**2B**

Fire Cover Plate Kit  
 99 Series - 050589  
 98 Series - 050588

## 98/99-F FIRE DEVICE

| Item No. | Quantity | Part No. | Description                                  | Finish |
|----------|----------|----------|--|--------|
|          | 1        | 900561   | 98/99 Series Mounting Pkg. (1-3/4 & 2-1/4)   |        |
| 1        | 1        | *PBKIT   | 98/99 Series Push Bar Retrofit Kit - 3' Door | X      |
| 1        | 1        | *PBKIT   | 98/99 Series Push Bar Retrofit Kit - 4' Door | X      |
| 2        | 1        | 050014   | 98/99 Series End Cap Kit                     | X      |
| 2A       | 1        | 050524   | Impact Resistant End Cap Bracket             |        |
| 2B       | 1        | 090036   | Cover Plate Anti-rattle Spring (Pkg of 10)   |        |
| 3        | 1        | 900597   | Device End Cap and C/Case Screw Pkg.         | X      |
| 4        | 1        | 968144   | 99 Series Mechanism Case - 3' Door           | X      |
| 4        | 1        | 968146   | 99 Series Mechanism Case - 4' Door           | X      |
| 4        | 1        | 970191   | 98 Series Mechanism Case - 3' Door           | X      |
| 4        | 1        | 970192   | 98 Series Mechanism Case - 4' Door           | X      |
| 5        | 1        | 050529   | Control Link Pin                             |        |
| 5A       | 1        | 090031   | Control Link Pin (Pkg of 10)                 |        |
| 6        | 2        | 090037   | #8-32 x 3/8" Baseplate Screw (Pkg of 10)     |        |
| 7        | 2        | 090073   | Mechanism Case Bracket Screw (Pkg of 10)     |        |
| 8***     | 1        | 050026   | 98/99-F Rim Center Case Less Cover           |        |
| 9**      | 1        | 050071   | 98/99 Rim Center Case Cover Kit              | X      |
| 10       | 1        | 050491   | Shock Absorber & Holder Assembly             |        |
| 11       | 2        | 090049   | Push Bar Guide (Pkg of 10)                   |        |
| 12       | 4        | 900892   | Center Case Cover Screws (Pkg of 4)          | X      |
| 13       | 1        | 050564   | Center Case Cover Bracket                    |        |

X in "Finish" column designates finished items; finish must be specified when ordering.

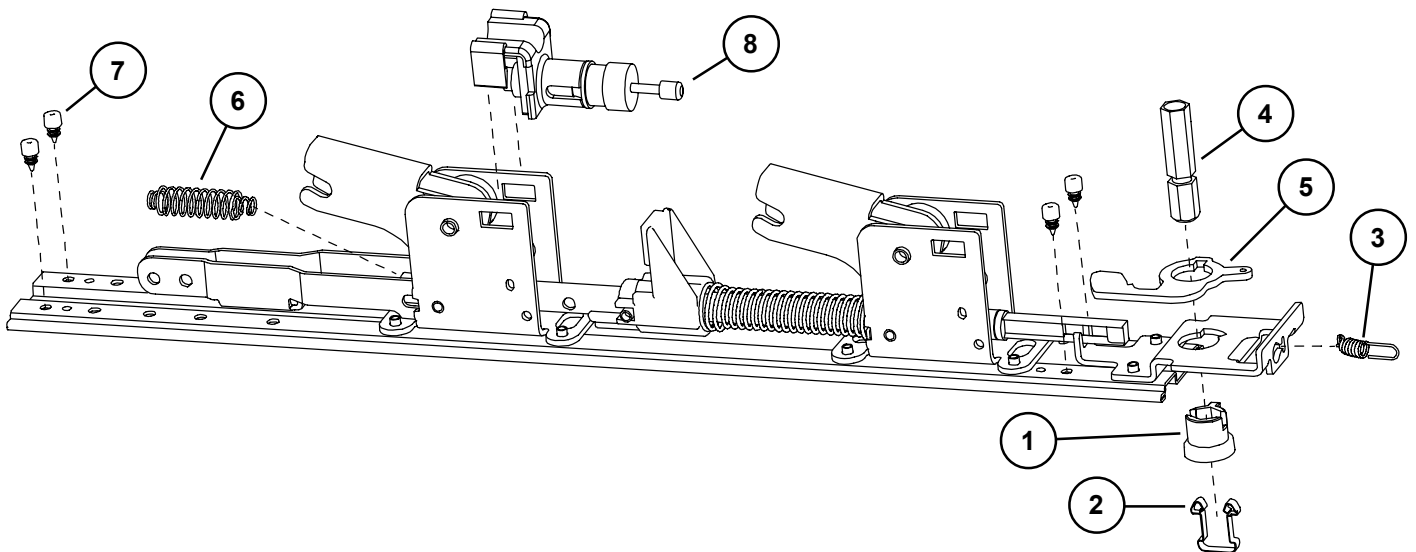
\* To order, specify device type, size, and finish. Example: PBKIT 98 3' US28

\*\*Includes parts for three piece cover conversion

\*\*\*Center case assembly parts shown on page 9.

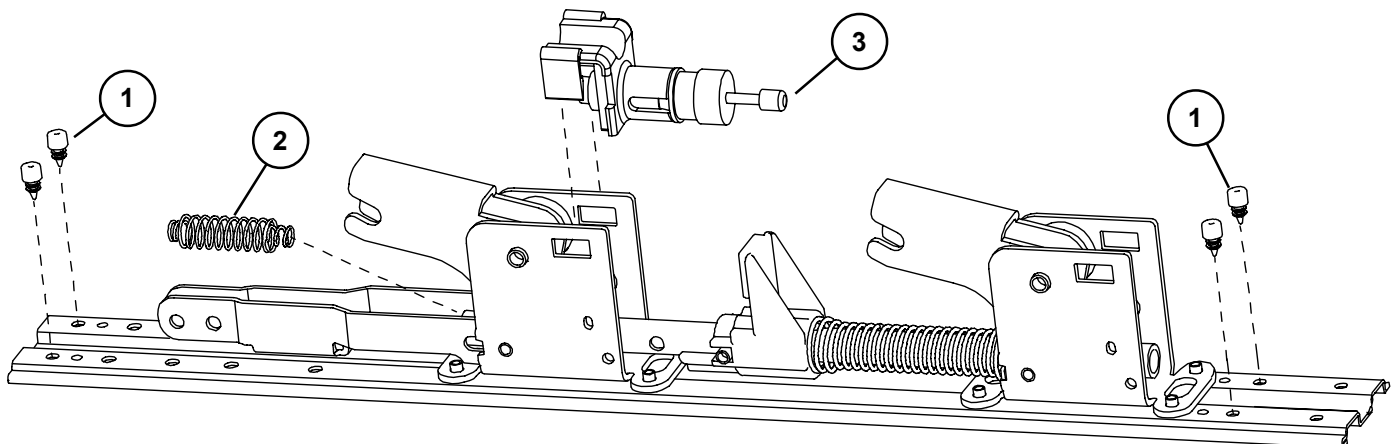
## 98/99 RIM PANIC DEVICE BASEPLATE ASSEMBLY

| Item No. | Quantity | Part No. | Description                       | Finish |
|----------|----------|----------|-----------------------------------|--------|
| 1        | 1        | 090043   | Dogging adapter (Pkg of 2)        |        |
| 2        | 1        | 090042   | Dogging adapter spring (Pkg of 2) |        |
| 3        | 1        | 090041   | Dogging spring (Pkg of 2)         |        |
| 4        | 1        | 090040   | Hex dogging shaft (Pkg of 2)      |        |
| 5        | 1        | 090044   | Dogging hook (Pkg of 2)           |        |
| 6        | 1        | 090039   | Latch return spring (Pkg of 10)   |        |
| 7        | 4        | 090038   | Rubber bumper (Pkg of 4)          |        |
| 8        | 1        | 050491   | Shock absorber                    |        |



## 98/99-F FIRE DEVICE BASEPLATE ASSEMBLY

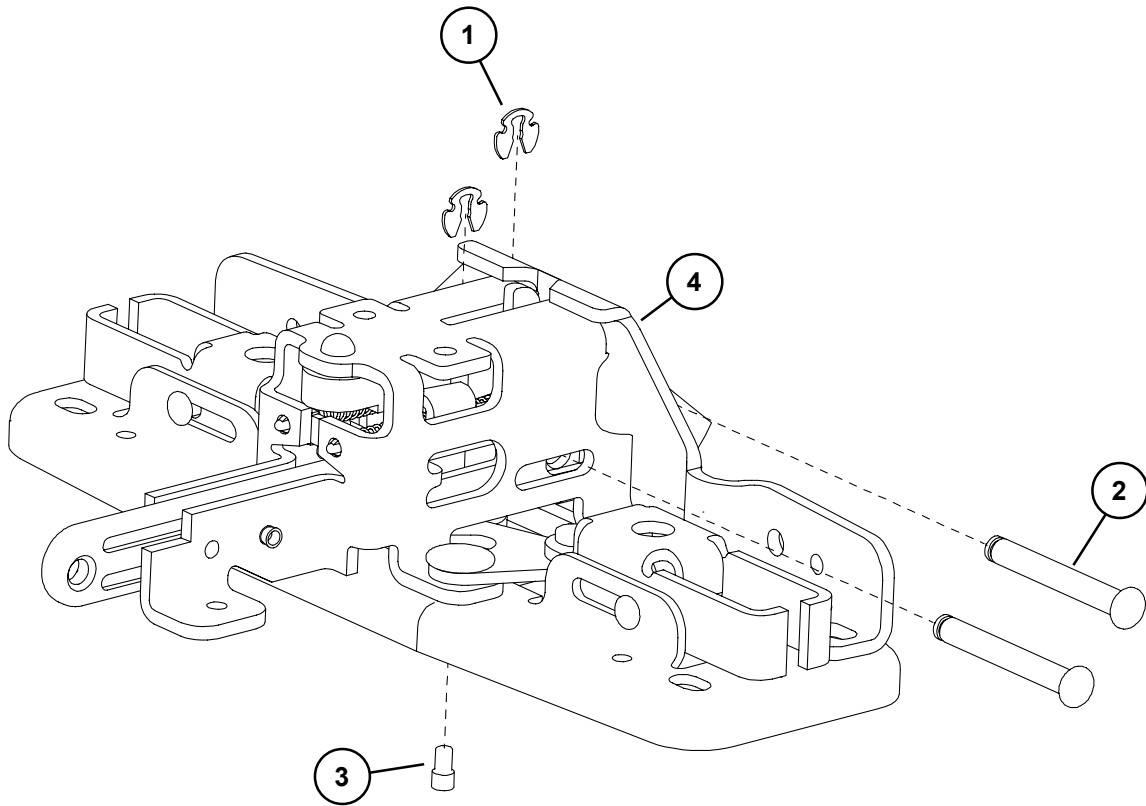
| Item No. | Quantity | Part No. | Description                     | Finish |
|----------|----------|----------|---------------------------------|--------|
| 1        | 4        | 090038   | Rubber bumper (Pkg of 4)        |        |
| 2        | 1        | 090039   | Latch return spring (Pkg of 10) |        |
| 3        | 1        | 050491   | Shock absorber                  |        |





## 98/99 PANIC & 98/99-F FIRE DEVICE CENTER CASE ASSEMBLY

| Item No. | Quantity | Part No. | Description                     | Finish |
|----------|----------|----------|---------------------------------|--------|
| 1        | 2        | 090107   | Retaining Ring (Pkg of 10)      |        |
| 2        | 2        | 090079   | Latch Bolt Pin (Pkg of 10)      |        |
| 3        | 1        | 090074   | NL Drive Screw (Pkg of 10)      |        |
| 4        | 1        | 050565   | Center Case Reinforcing Bracket |        |



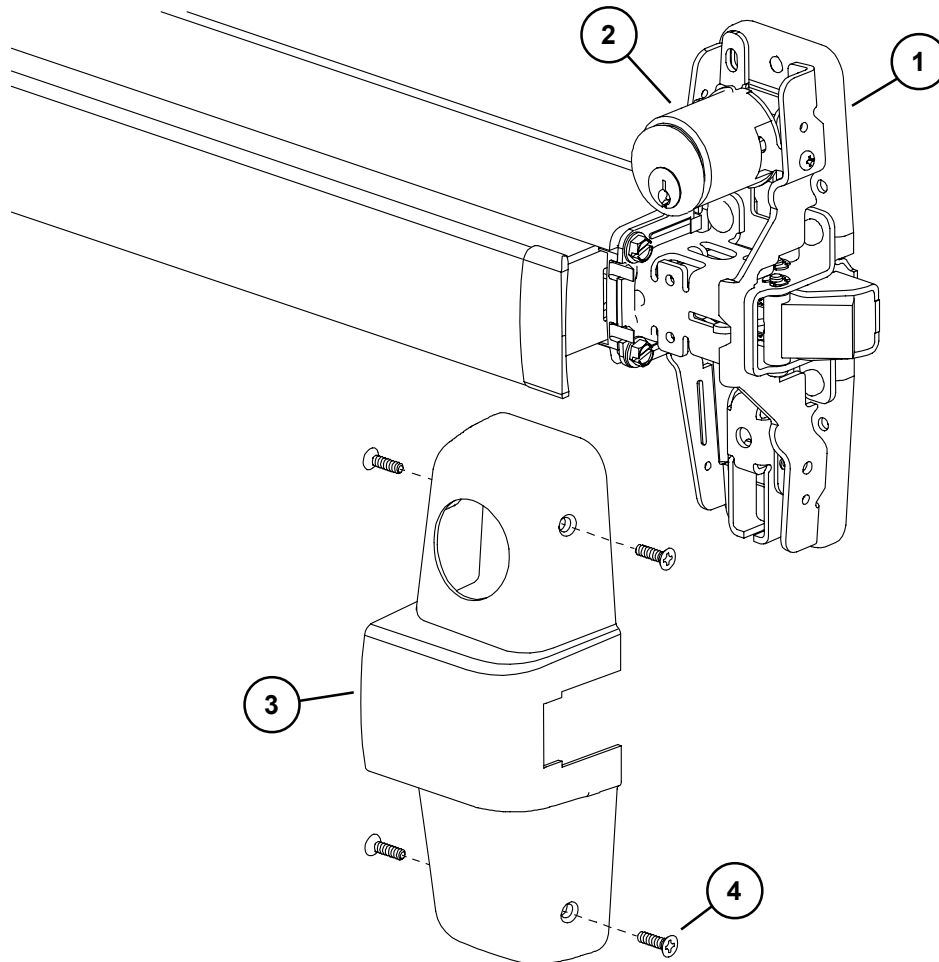
## 98/99-2 & 98/99-F-2 DOUBLE CYLINDER OPTION

| Item No. | Quantity | Part No. | Description                                 | Finish |
|----------|----------|----------|---|--------|
| 1*       | 1        | 050024   | 98/99-2 RHR Center Case Less Cover          |        |
| 1*       | 1        | 050025   | 98/99-2 LHR Center Case Less Cover          |        |
| 1*       | 1        | 050027   | 98/99-F-2 RHR Center Case Less Cover        |        |
| 1*       | 1        | 050028   | 98/99-F-2 LHR Center Case Less Cover        |        |
| 2        | 1        | 113098   | 98/99 Rim Double Cyl. Adapter Assembly -LHR | X      |
| 2        | 1        | 113099   | 98/99 Rim Double Cyl. Adapter Assembly -RHR | X      |
| 3**      | 1        | 050555   | 98/99-2/SD RHR Center Case Cover Kit        | X      |
| 3**      | 1        | 050556   | 98/99-2/SD LHR Center Case Cover Kit        | X      |
| 4        | 4        | 900892   | Center Case Cover Screws (Pkg of 4)         | X      |
| ***      | 1        | 050388   | 98/99-2 Conversion Kit RHR                  | X      |
| ***      | 1        | 050389   | 98/99-2 Conversion Kit LHR                  | X      |

\*Parts shown are for the double cylinder option. For other available center case parts refer to page 9.

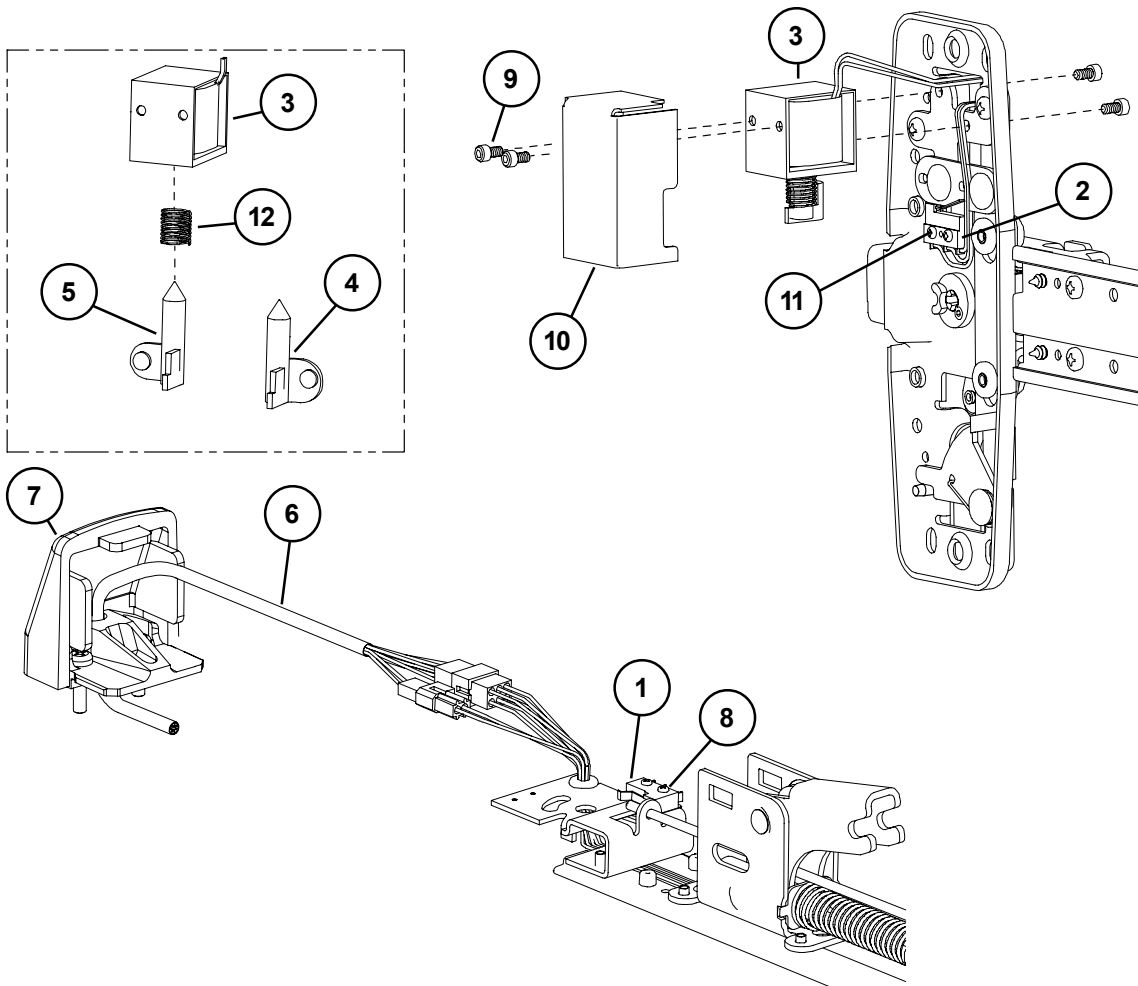
\*\*Includes parts for three piece cover conversion.

\*\*\*Kit includes items 1-4.



## E98/99 & E98/99-F (ELECTRIC LOCKING) OPTION

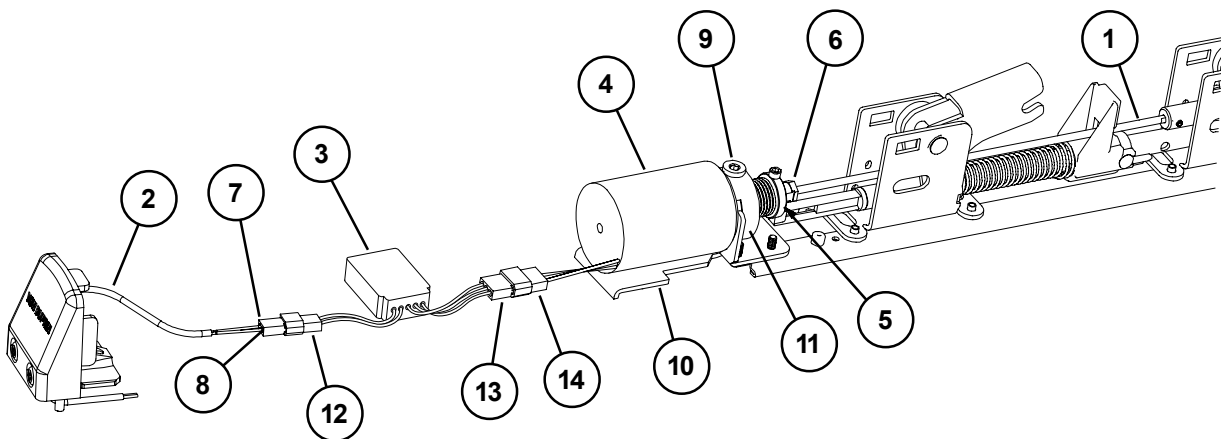
| Item No. | Quantity | Part No. | Description                                     | Finish |
|----------|----------|----------|---|--------|
| 1        | 1        | 106224   | E98/99 Rim Subminiature Switch Assembly (R,Y,B) |        |
| 2        | 1        | 968938   | Subminiature Switch                             |        |
| 3        | 1        | 110389   | E98/99 Rim Solenoid                             |        |
| 4        | 1        | 110392   | E98/99 Solenoid Plunger - FSE RHR               |        |
| 4        | 1        | 110390   | E98/99 Solenoid Plunger - FSE LHR               |        |
| 5        | 1        | 110393   | E98/99 Solenoid Plunger - FS RHR                |        |
| 5        | 1        | 110391   | E98/99 Solenoid Plunger - FS LHR                |        |
| 6        | 1        | 110867   | E98/99 Rim Signal Cable                         |        |
| 7        | 1        | 050014   | 98/99 Series End Cap Kit                        | X      |
| 8        | 2        | 964269   | 2-56 x 3/8" PPHMS Subminiature Switch Screws    |        |
| 9        | 4        | 963761   | 6-32 x 1/4" Socket Cap Solenoid Cover Screws    |        |
| 10       | 1        | 969605   | Solenoid Cover                                  |        |
| 11       | 2        | 964000   | 2-56 x 3/4" PPHMS Subminiature Switch Screws    |        |
| 12       | 1        | 969606   | Solenoid Spring                                 |        |



## HD-EL98/HD-EL99 HEX DOGGING/ELECTRIC LATCH RETRACTION OPTION - PANIC DEVICE ONLY

| Item No. | Quantity | Part No. | Description                          | Finish |
|----------|----------|----------|--------------------------------------|--------|
| 1        | 1        | 050531   | EL Dogging Rod Kit - 3' device       |        |
| 1        | 1        | 050532   | EL Dogging Rod Kit - 4' device       |        |
| 2        | 1        | 110388   | EL 6' Cable and Connector            |        |
| 3        | 1        | 050534   | EL Potted Module                     |        |
| 4        | 1        | 050536   | HD-EL Solenoid                       |        |
| 5        | 1        | 050537   | HD-EL Solenoid Plunger               |        |
| 6        | 1        | 050538   | EL Dogging Rod Retainer              |        |
| 7        | 1        | 050539   | EL Receptacle Connector - 2 Position |        |
| 8        | 2        | 050540   | EL Female Terminal                   |        |
| 9        | 1        | 050541   | HD-EL Dog Screw                      |        |
| 10       | 1        | 050542   | HD-EL Solenoid Bracket               |        |
| 11       | 1        | 050543   | HD-EL Dogging Spring                 |        |
| 12       | 1        | 990599   | EL Plug Connector - 2 Position       |        |
| 13       | 1        | 990857   | EL Receptacle Connector - 3 Position |        |
| 14       | 1        | 990858   | EL Plug Connector - 3 Position       |        |
| *        | 1        | 050384   | HD-EL Conversion Kit - 3'            |        |
| *        | 1        | 050385   | HD-EL Conversion Kit - 4'            |        |

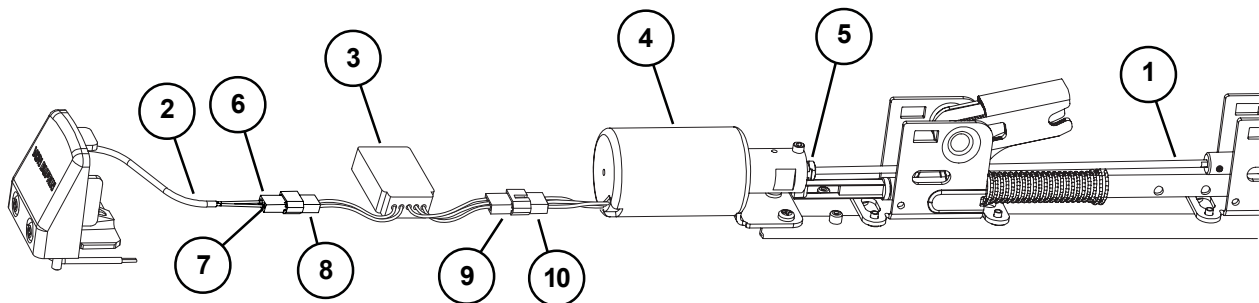
\*Kit includes items 1-11 plus new control link, retaining ring, and baseplate screws.



## EL98/EL99 SERIES ELECTRIC LATCH RETRACTION OPTION

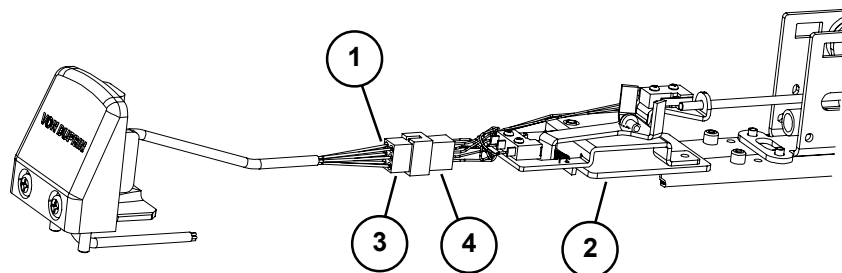
| Item No. | Quantity | Part No. | Description                          | Finish |
|----------|----------|----------|--------------------------------------|--------|
| 1        | 1        | 050531   | EL Dogging Rod Kit - 3' device       |        |
| 1        | 1        | 050532   | EL Dogging Rod Kit - 4' device       |        |
| 2        | 1        | 110388   | EL 6' Cable and Connector            |        |
| 3        | 1        | 050534   | EL Potted Module                     |        |
| 4        | 1        | 050535   | EL Solenoid Assembly                 |        |
| 5        | 1        | 050538   | EL Dogging Rod Retainer              |        |
| 6        | 1        | 050539   | EL Receptacle Connector              |        |
| 7        | 2        | 050540   | EL Female Terminal                   |        |
| 8        | 1        | 990599   | EL Plug Connector - 2 Position       |        |
| 9        | 1        | 990857   | EL Receptacle Connector - 3 Position |        |
| 10       | 1        | 990858   | EL Plug Connector - 3 Position       |        |
| *        | 1        | 050070   | EL Conversion Kit - 3'               |        |
| *        | 1        | 050078   | EL Conversion Kit - 4'               |        |

\*Kit includes items 1-7 plus new control link pin, retaining ring, and baseplate screws.

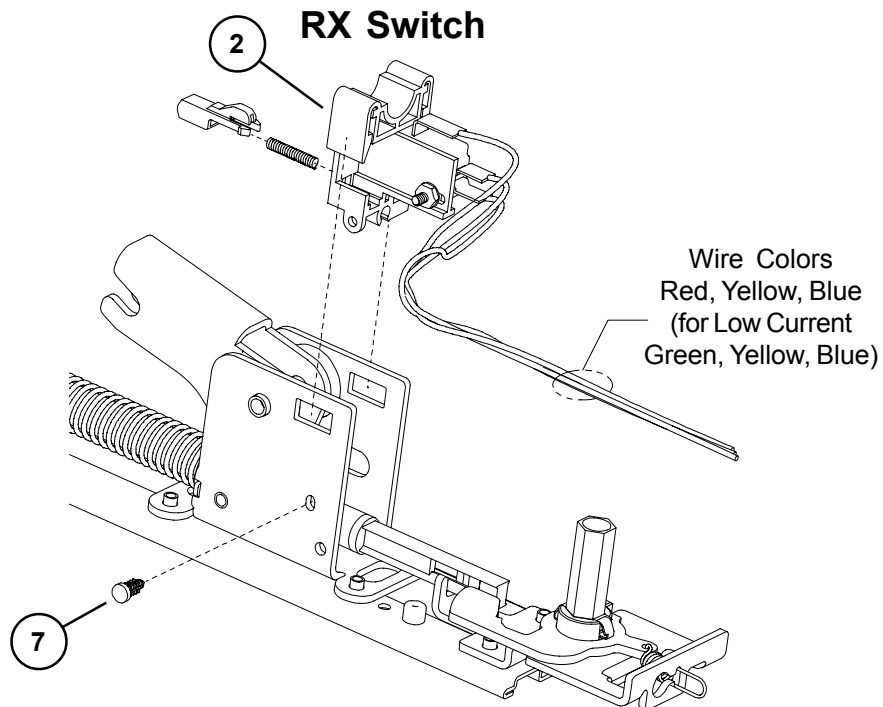
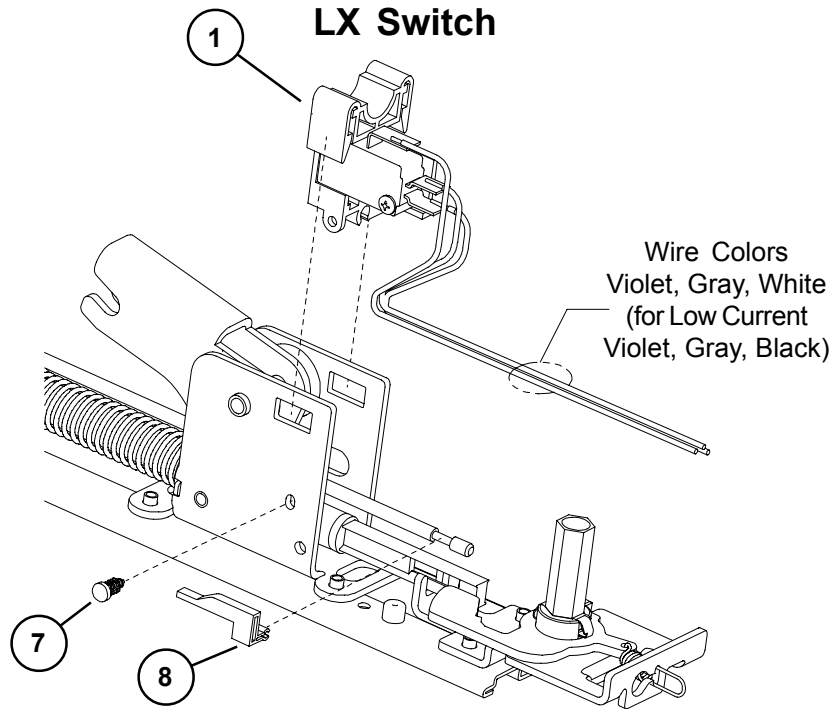


## SS98/SS99 SERIES (SIGNAL SWITCH) OPTION

| Item No. | Quantity | Part No. | Description                          | Finish |
|----------|----------|----------|--------------------------------------|--------|
| 1        | 1        | 050544   | SS Cable                             |        |
| 2        | 1        | 050545   | SS Housing                           |        |
| 3        | 1        | 990601   | SS Plug Connector - 6 Position       |        |
| 4        | 1        | 990602   | SS Receptacle Connector - 6 Position |        |

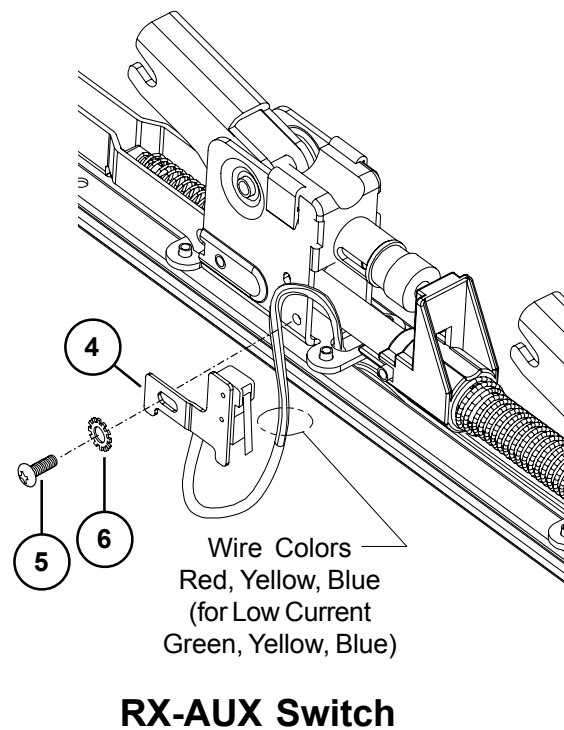
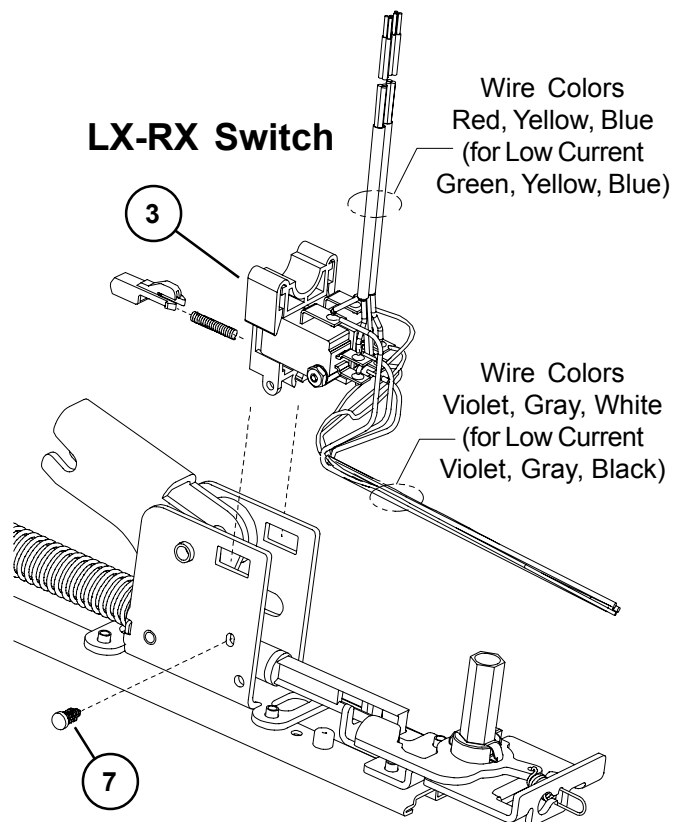


# 98/99 SERIES LX (LATCH BOLT MONITOR) & RX (REQUEST TO EXIT) OPTIONS



## 98/99 SERIES LX (LATCH BOLT MONITOR) & RX (REQUEST TO EXIT) OPTIONS

| Item No. | Quantity | Part No. | Description                              | Finish |
|----------|----------|----------|--|--------|
| 1        | 1        | 050254   | LX Switch Kit 3' Device                  |        |
| 1        | 1        | 050255   | LX Switch Kit 4' Device                  |        |
| 1        | 1        | 050247   | LX-EL Switch Kit                         |        |
| 1        | 1        | 050283   | LX-LC (Low Current) Switch Kit 3' Device |        |
| 1        | 1        | 050285   | LX-LC (Low Current) Switch Kit 4' Device |        |
| 1        | 1        | 050287   | LX-LC-EL (Low Current) Switch Kit        |        |
| 2        | 1        | 050251   | RX Switch Kit                            |        |
| 2        | 1        | 050281   | RX-LC (Low Current) Switch Kit           |        |
| 3        | 1        | 050256   | LX-RX Switch Kit 3' Device               |        |
| 3        | 1        | 050257   | LX-RX Switch Kit 4' Device               |        |
| 3        | 1        | 050259   | LX-RX-EL Switch Kit                      |        |
| 3        | 1        | 050289   | LX-RX-LC (Low Current) Sw. Kit 3' Device |        |
| 3        | 1        | 050291   | LX-RX-LC (Low Current) Sw. Kit 4' Device |        |
| 3        | 1        | 050293   | LX-RX-LC-EL (Low Current) Switch Kit     |        |
| 2 & 4    | 1        | 050270   | RX-2 Switch Kit                          |        |
| 4        | 1        | 050271   | RX-AUX Switch Kit                        |        |
| 5        | 1        | 964558   | 8-32 x 5/16" PPHMS                       |        |
| 6        | 1        | 964019   | #8 Washer                                |        |
| 7        | 1        | 090099   | Pine Tree Clip (Pkg of 10)               |        |
| 8        | 1        | 971091   | LX Actuator                              |        |

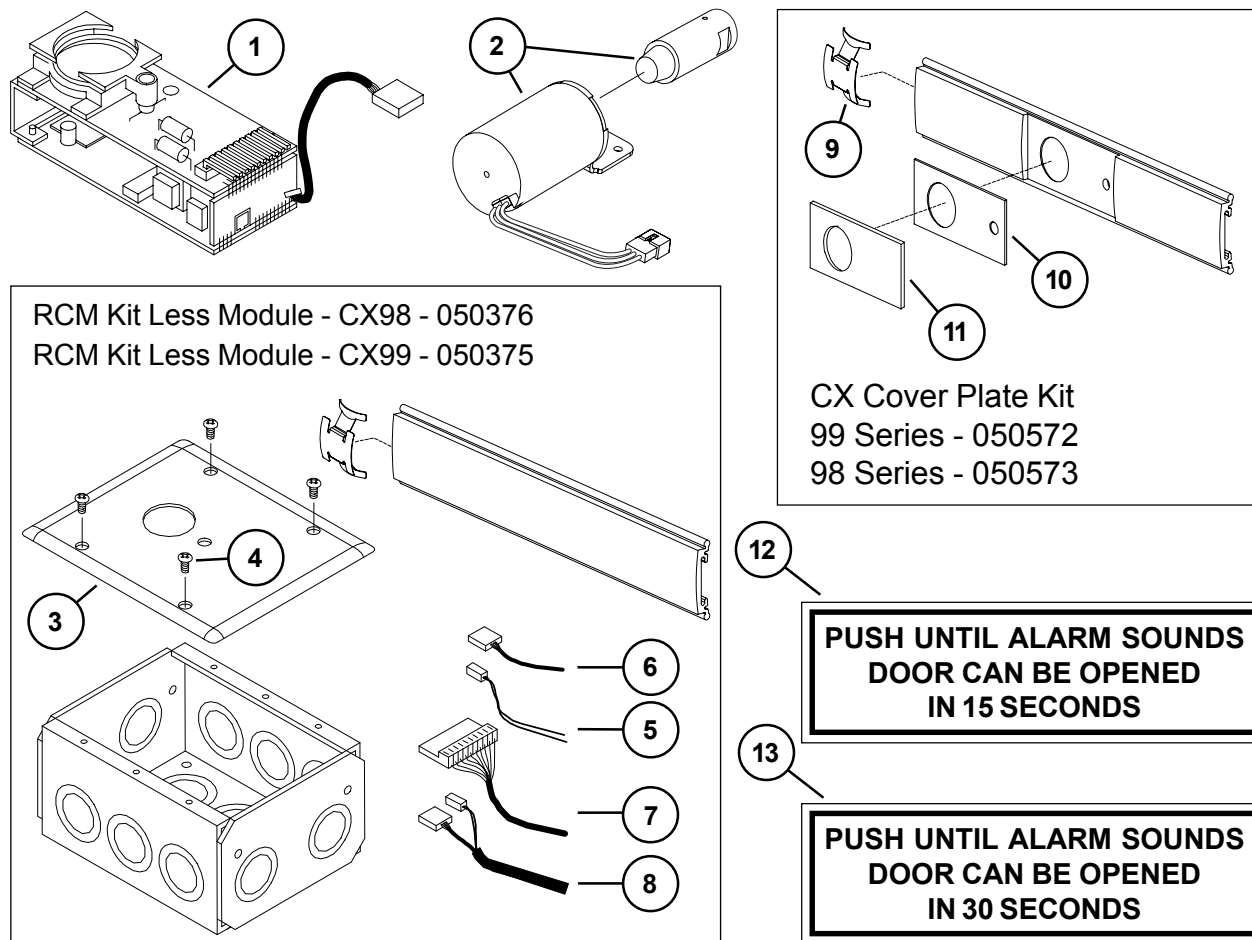


# CX98/99 SERIES CHEXIT AND CX-RCM OPTION

For discontinued Chexit devices made before August, 24 2015

| Item No. | Quantity | Part No. | Description                                | Finish |
|----------|----------|----------|--|--------|
| 1        | 1        | 050228   | Chexit PCB Kit - 15 Second Release         |        |
| 1*       | 1        | 050700   | Chexit PCB Kit - 30 Second Release         |        |
| 1        | 1        | 050701   | Chexit PCB Kit - 0 Second Release          |        |
| 1        | 1        | 050702   | Chexit PCB Kit - Boca 15 Second Release    |        |
| 1*       | 1        | 050703   | Chexit PCB Kit - Boca 30 Second Release    |        |
| 2        | 1        | 050533   | CX Solenoid and Plunger                    |        |
| 3        | 1        | 113111   | Faceplate and Adapter                      | X      |
| 4        | 4        | 963898   | 6-32 x 3/8" OPHMS Faceplate Screw          | X      |
| 5        | 1        | 991338   | RCM 2-Wire RX Cable                        |        |
| 6        | 1        | 991339   | RCM 3-Wire Solenoid Cable                  |        |
| 7        | 1        | 112018   | Chexit Wiring Assembly                     |        |
| 8        | 1        | 991336   | CX-RCM Cable Assy - 5 Wire                 |        |
| 9        | 1        | 090036   | Cover Plate Anti-rattle Spring (Pkg of 10) |        |
| 10       | 1        | 970513   | LED Cover Mask - Chexit                    |        |
| 11       | 1        | 970519   | LED Cover - Chexit                         |        |
| 12       | 1        | 113781   | Sign 15 Second - Chexit                    |        |
| 13       | 1        | 113782   | Sign 30 Second - Chexit                    |        |

\*Over 15 second delay requires a letter of approval from the authority having local jurisdiction over the premises prior to the installation of the device. Allegion cannot grant such approval nor does it warrant local jurisdiction compliance.



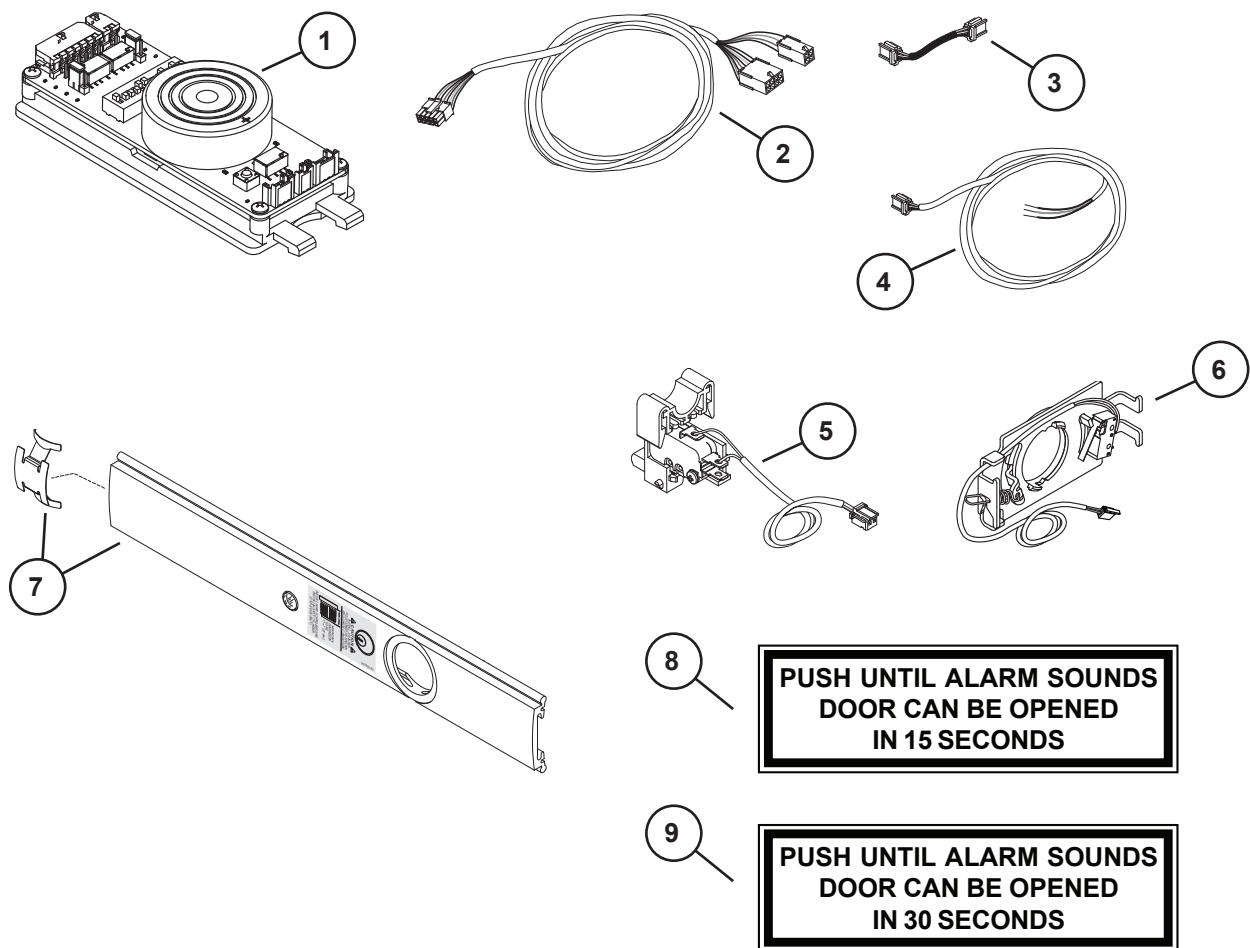


# CX98/99 SERIES CHEXIT

For new Chexit devices made after August, 24 2015

| Item No. | Quantity | Part No. | Description                          | Finish |
|----------|----------|----------|--------------------------------------|--------|
| 1        | 1        | 040086   | Standard - 15 Second Release Delay   |        |
| 1*       | 1        | 040087   | Special Infinite Release Delay       |        |
| 1*       | 1        | 040088   | Special 30 Second Release Delay      |        |
| 1        | 1        | 040089   | Special 0 Second Release Delay       |        |
| 1        | 1        | 040090   | Special Mute 15 Second Release Delay |        |
| 1        | 1        | 040091   | BOCA 15 Second Release Delay         |        |
| 2        | 1        | 040191   | CX Field Wiring Cable                |        |
| 3        | 1        | 040192   | CX Motor Cable                       |        |
| 4        | 1        | 040193   | CX Trim Device Cable                 |        |
| 5        | 1        | 116717   | CX RX Switch Assembly                |        |
| 6        | 1        | 040170   | CX Key Switch Assembly 3'            |        |
| 6        | 1        | 040189   | CX Key Switch Assembly 4'            |        |
| 7        | 1        | 040093   | CX33/99 Cover Plate Kit              | X      |
| 7        | 1        | 040094   | CX35/98 Cover Plate Kit              | X      |
| 8        | 1        | 113781   | Sign 15 Second                       |        |
| 9        | 1        | 113782   | Sign 30 Second                       |        |

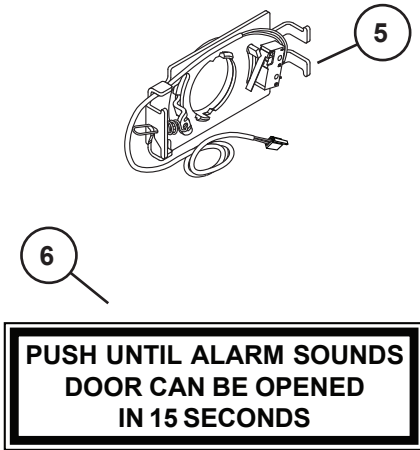
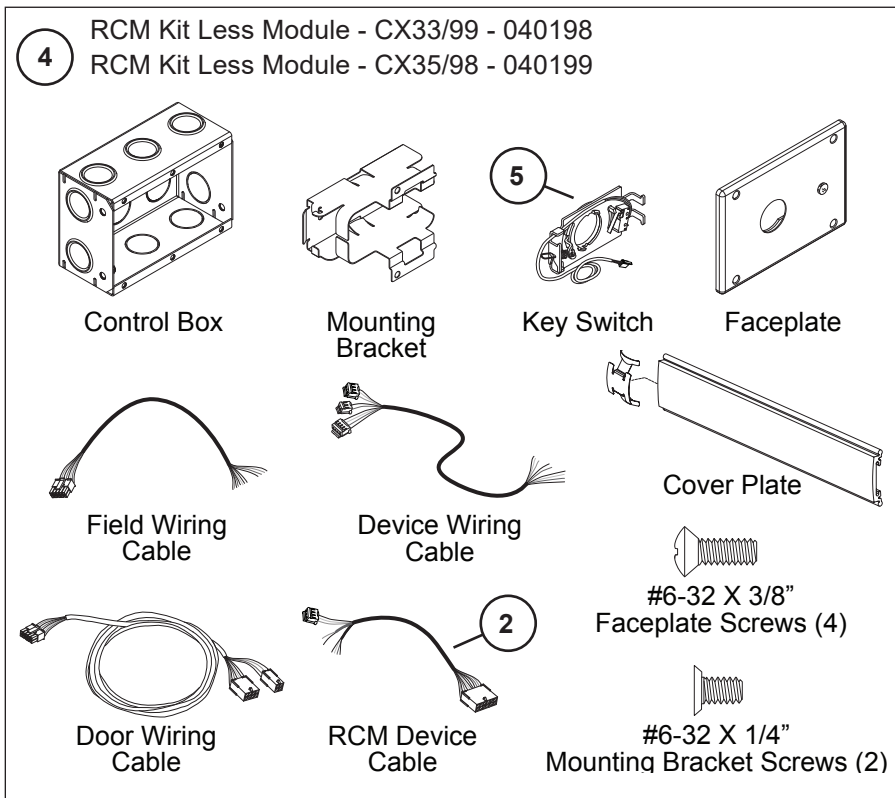
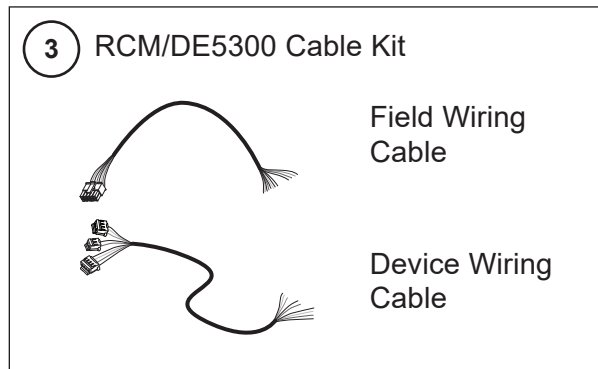
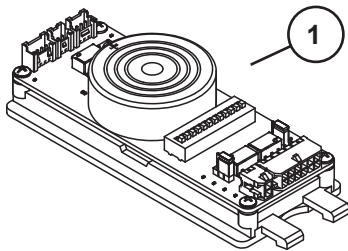
\*Over 15 second delay requires a letter of approval from the authority having local jurisdiction over the premises prior to the installation of the device. Allegion cannot grant such approval nor does it warrant local jurisdiction compliance.



# CX-RCM/DE5300 OPTIONS

For new RCM/DE5300 devices made after August, 24 2015

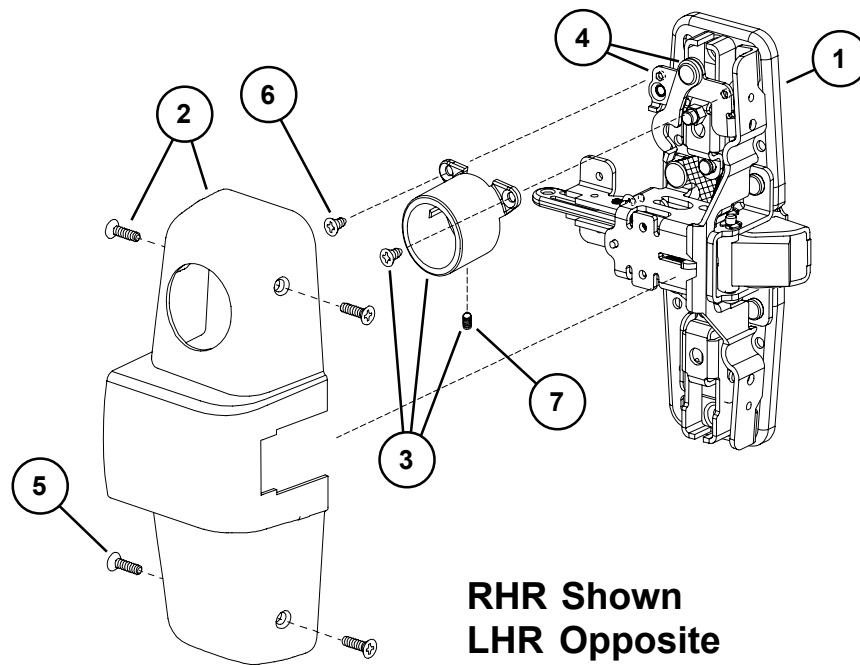
| Item No. | Quantity | Part No. | Description                        | Finish |
|----------|----------|----------|------------------------------------|--------|
| 1        | 1        | 116711   | Standard - 15 Second Release Delay |        |
| 2        | 1        | 040092   | RCM Device Cable                   |        |
| 3        | 1        | 040188   | DE5300/RCM Cable Kit               |        |
| 4        | 1        | 040198   | RCM Kit Less Module - CX33/99      | X      |
| 4        | 1        | 040199   | RCM Kit Less Module - CX35/98      | X      |
| 5        | 1        | 040169   | DE5300/RCM Key Switch Assy         |        |
| 6        | 1        | 113781   | Sign 15 Second                     |        |



## CX-CD/SD98/99 SERIES OPTION

| Item No. | Quantity | Part No.     | Description                            | Finish |
|----------|----------|--------------|--|--------|
| 1*       | 1        | 050548       | SD98/99 RHR Center Case Kit Less Cover |        |
| 1*       | 1        | 050549       | SD98/99 LHR Center Case Kit Less Cover |        |
| 2        | 1        | 050555       | SD98/99 RHR Center Case Cover Kit      | X      |
| 2        | 1        | 050556       | SD98/99 LHR Center Case Cover Kit      | X      |
| 3        | 1        | 112409       | CD-CX/SD Cylinder Dog Housing          |        |
| 4        | 1        | 112455       | CX-CD/SD Cylinder Dog Bracket Kit RHR  |        |
| 4        | 1        | 112456       | CX-CD/SD Cylinder Dog Bracket Kit LHR  |        |
| 5        | 4        | 900892       | Center Case Cover Screws               | X      |
| 6        | 2        | PkgServ.1018 | 8-32 x 1/4" UFPHMS (Pkg of 20)         |        |
| 7        | 1        | 964240       | Bracket Set Screw                      |        |
| *        | 1        | 050386       | SD98/99 Rim Conversion Kit RHR         | X      |
| *        | 1        | 050387       | SD98/99 Rim Conversion Kit LHR         | X      |

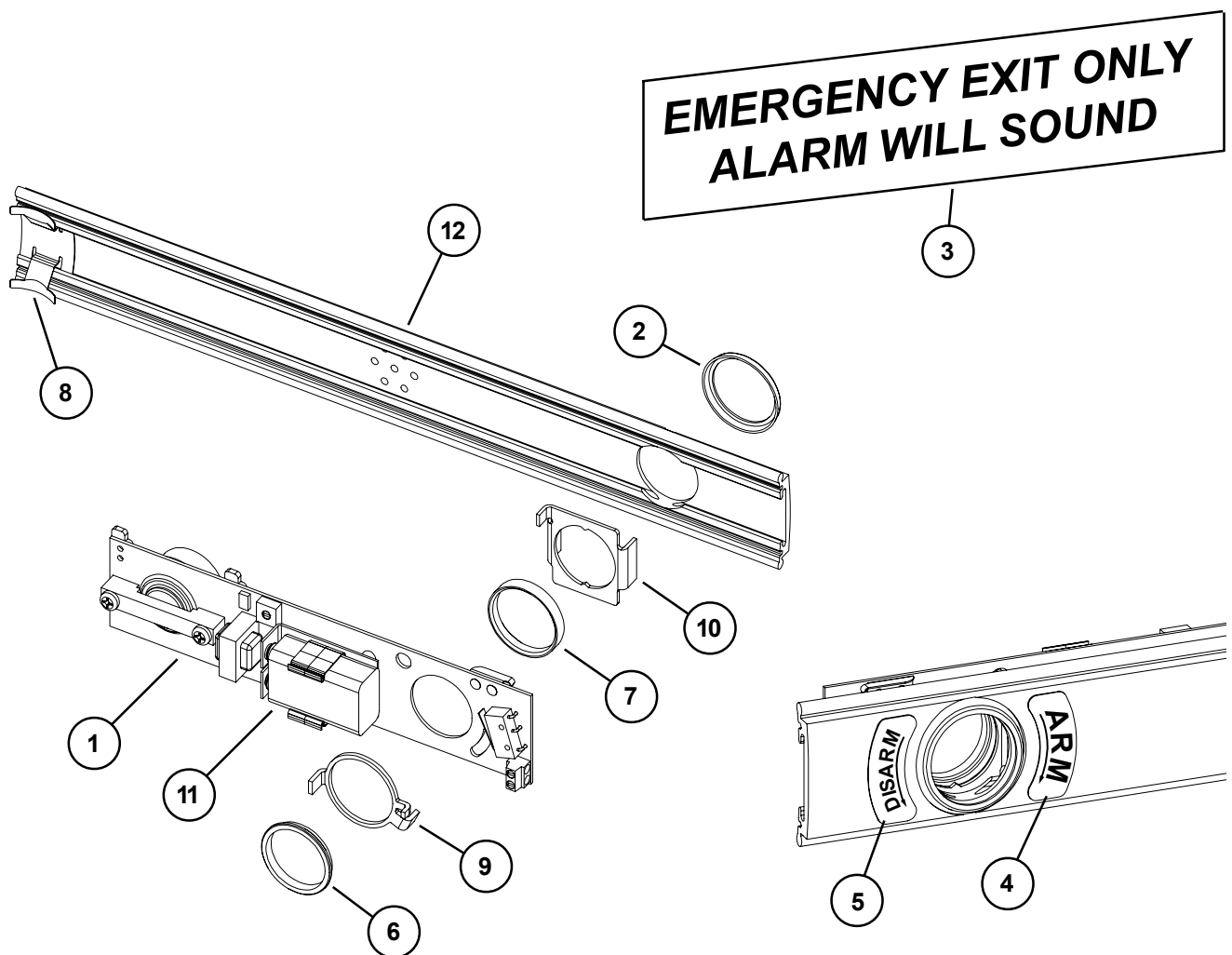
\*Parts shown are for the CX-CD/SD option. For other available center case parts refer to page 9.



## 98/99 ALK EXIT ALARM KIT

| Item No. | Quantity | Part No. | Description                                | Finish |
|----------|----------|----------|--|--------|
| 1        | 1        | 111795   | ALK PCB Assembly                           |        |
| 2        | 1        | 050525   | Cylinder Collar                            | X      |
| 3        | 1        | 969122   | ALK Alarm Device Sign                      |        |
| 4        | 1        | 969349   | ALK Arming Label                           |        |
| 5        | 1        | 969350   | ALK Disarming Label                        |        |
| 6        | 1        | 969354   | Retainer Nut                               |        |
| 7        | 1        | 970594   | ALK Cylinder Spacer                        |        |
| 8        | 1        | 090036   | Cover Plate Anti-rattle spring (Pkg of 10) |        |
| 9        | 1        | 971556   | ALK Switch Actuator                        |        |
| 10       | 1        | 971557   | ALK Cylinder Bracket                       |        |
| 11       | 1        | 990637   | ALK Battery                                |        |
| 12       | 1        | 050569   | 99 Series ALK Cover Plate Kit              | X      |
| 12       | 1        | 050570   | 98 Series ALK Cover Plate Kit              | X      |

X in "Finish" column designates finished items; finish must be specified when ordering.

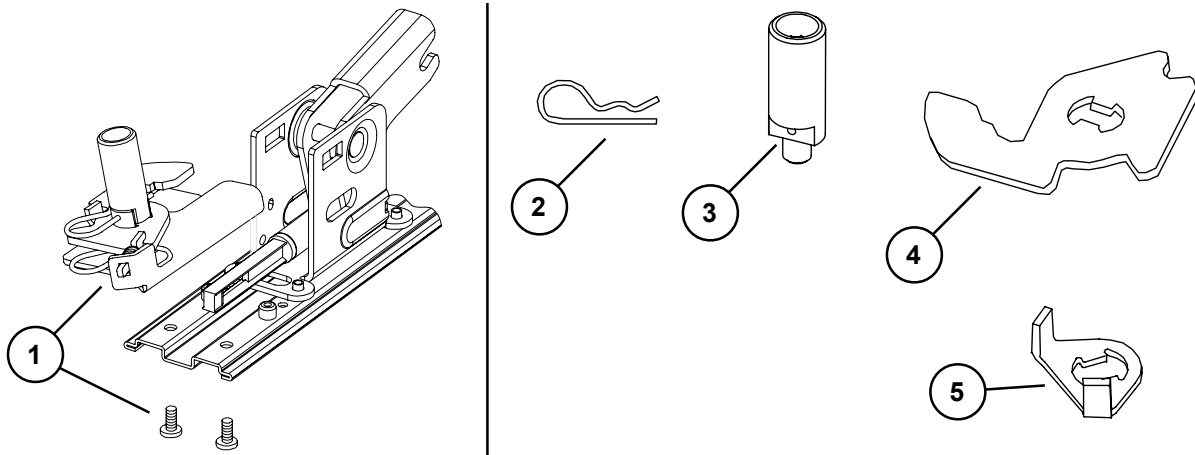


## 98/99 SERIES SERVICE REPLACEMENT ITEMS

| Item No. | Quantity | Part No. | Description                               | Finish |
|----------|----------|----------|---|--------|
| 1        | 1        | 050709   | Old Style Hex Dogging Replacement Kit     |        |
| 2        | 1        | 963909   | #22 Hitch Pin - Hex/CD Dogging Old Style  |        |
| 3        | 1        | 968112   | Old Style Hex Dog Shaft                   |        |
| 4        | 1        | 969941   | Old Style Dogging Hook                    |        |
| 5        | 1        | 968116   | Old Style CD Actuator Arm                 |        |
| 6        | 1        | 900905   | Old Style End Cap and Bracket Assembly    | X      |
| 7        | 1        | 970548   | Old Style Cover Plate Stop - End Cap      |        |
| 8        | 1        | 900901   | Old Style End Cap Screw Package           | X      |
| 9        | 1        | 971082   | Old Style 98/99 End Cap - Stainless Steel | X      |
| 9        | 1        | 971083   | Old Style 98/99 End Cap - Brass           | X      |
| 9        | 1        | 971084   | Old Style 98/99 End Cap - Bronze          | X      |
| 9        | 1        | 971085   | Old Style 98/99 End Cap - Aluminum        | X      |

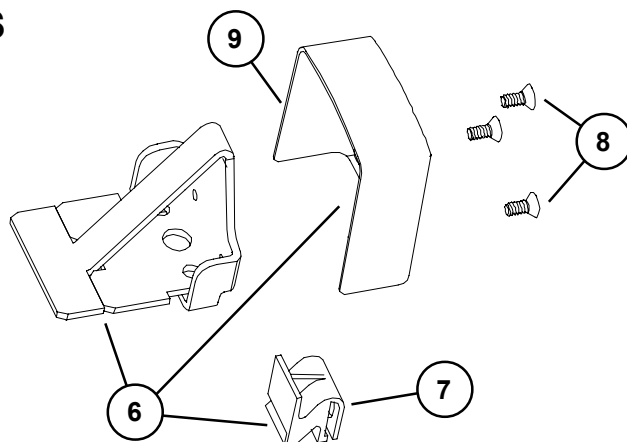
X in "Finish" column designates finished items; finish must be specified when ordering.

### OLD STYLE DOGGING PARTS (FOR DEVICES SHIPPED BEFORE AUGUST 1997)



### OLD STYLE END CAP PARTS (FOR DEVICES SHIPPED BEFORE JANUARY 2002)

**Note:** Newer style end cap kit shown on pages 4-5. Newer style end cap kit can be used on devices manufactured before January 2002, but mechanism case and cover plate on hinge stile must have a square cut and a clean edge.



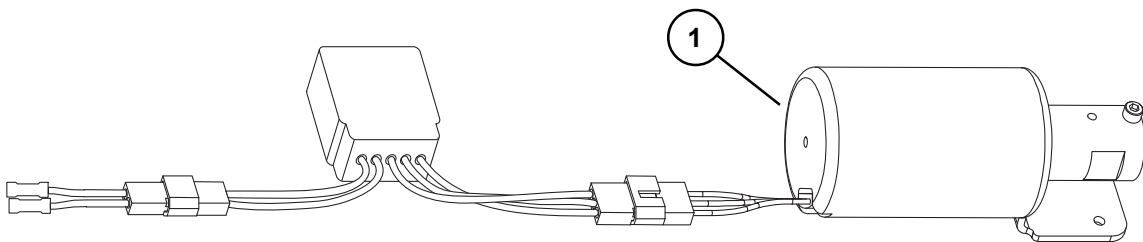
## 98/99 SERIES SERVICE REPLACEMENT ITEMS

| Item No. | Quantity | Part No. | Description                 | Finish |
|----------|----------|----------|-----------------------------|--------|
| 1        | 1        | 050218   | EL Solenoid Replacement Kit |        |

X in "Finish" column designates finished items; finish must be specified when ordering.

### EL SOLENOID REPLACEMENT KIT (FOR DEVICES SHIPPED BEFORE JANUARY 1987)

**Note:** This kit replaces the old style EL solenoid parts with the new style.



This page intentionally left blank.

## About Allegion

Allegion (NYSE: ALLE) creates peace of mind by pioneering safety and security. As a \$2 billion provider of security solutions for homes and businesses, Allegion employs more than 8,000 people and sells products in more than 120 countries across the world. Allegion comprises 27 global brands, including strategic brands CISA®, Interflex®, LCN®, Schlage® and Von Duprin®.

For more, visit [www.allegion.com](http://www.allegion.com).

*aptiQ* ■ LCN ■ **SCHLAGE** ■ STEELCRAFT ■ VON DUPRIN