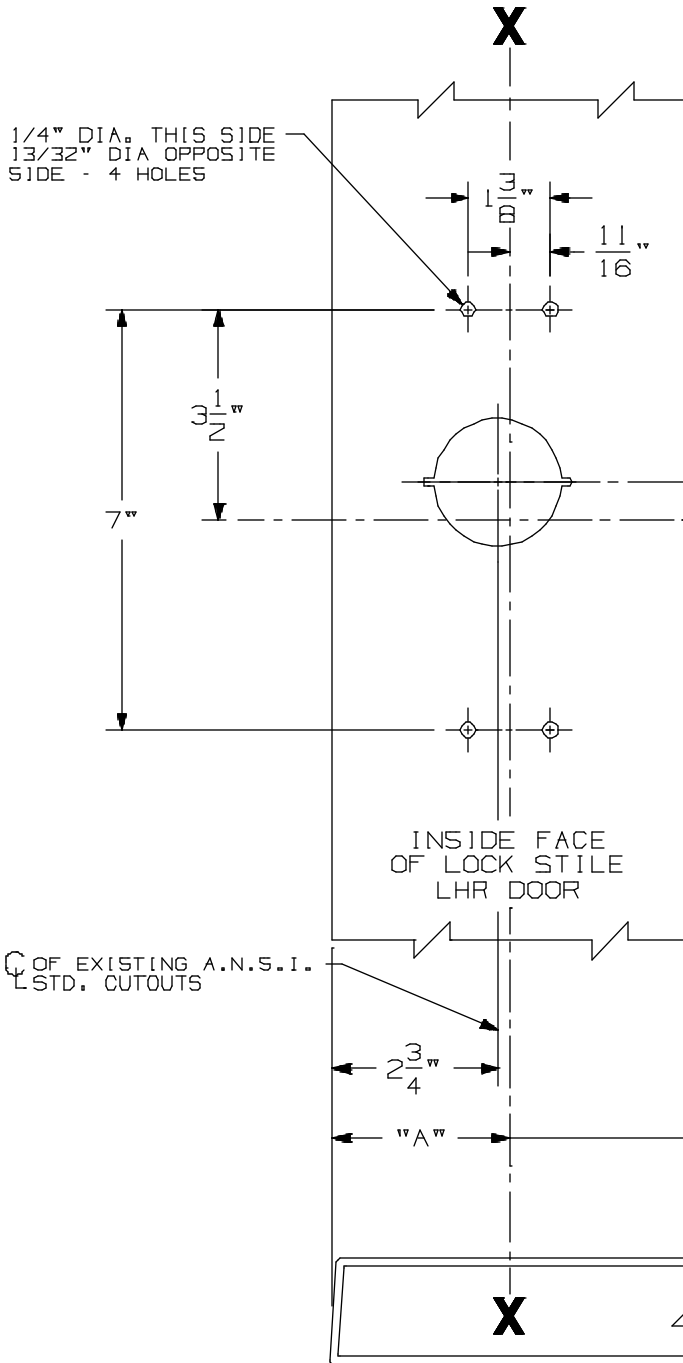
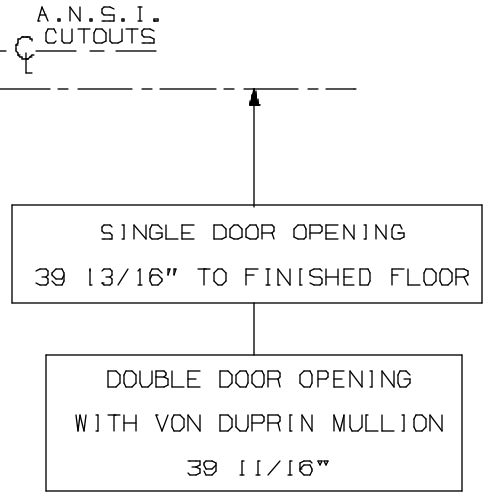


TYPE 161 STOCK HOLLOW METAL DOOR

A.N.S.I. CUTOUTS ARE SHOWN FOR REFERENCE ONLY. SEE A.N.S.I. SPECIFICATION NO. A115 FOR THE SIZE AND LOCATION OF THESE CUTOUTS.



LHR SHOWN
RHR OPPOSITE



☐ OF EXISTING A.N.S.I. STD. CUTOUTS

| SINGLE DOOR APPLICATION | | |
|-------------------------|-----------|----------|
| STRIKE | STOP SIZE | DIM. "A" |
| 299 | 5/8" | 2 15/16" |
| 299 | 1/2" | 2 13/16" |

| DOUBLE DOOR APPLICATION WITH VON DUPRIN MULLIONS | | |
|--|--------|----------|
| MULLION | STRIKE | DIM. "A" |
| 5654 | 299 | 2 7/8" |
| 1654 | 1606 | 2 7/8" |

FOR ADDITIONAL INFORMATION SEE TEMPLATE NO. 10300 AND 10301

FOR OUTSIDE TRIM PREPARATION, WHEN REQUIRED, SEE ADDITIONAL TRIM TEMPLATE.

98/99 EO, DT, NL Rim Devices w/ 990, 991/992DT & Rigid Trim for Type "161" Stock Hollow Metal Applications

VON DUPRIN®

NOTES: SEE MASTER SHEET #10001 FOR SUGGESTED REINFORCING

TEMPLATE NUMBER:

10307_a

DATE: 05-21-13