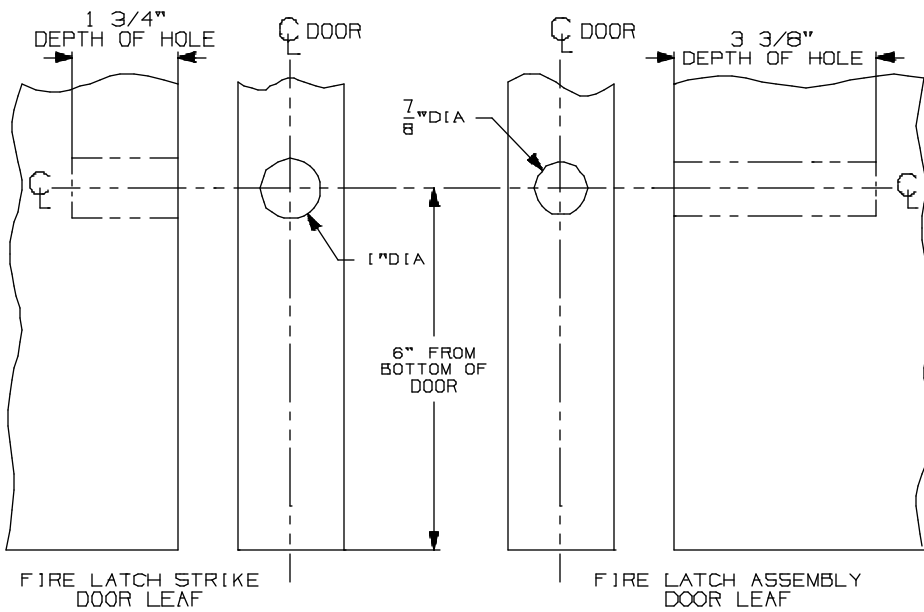
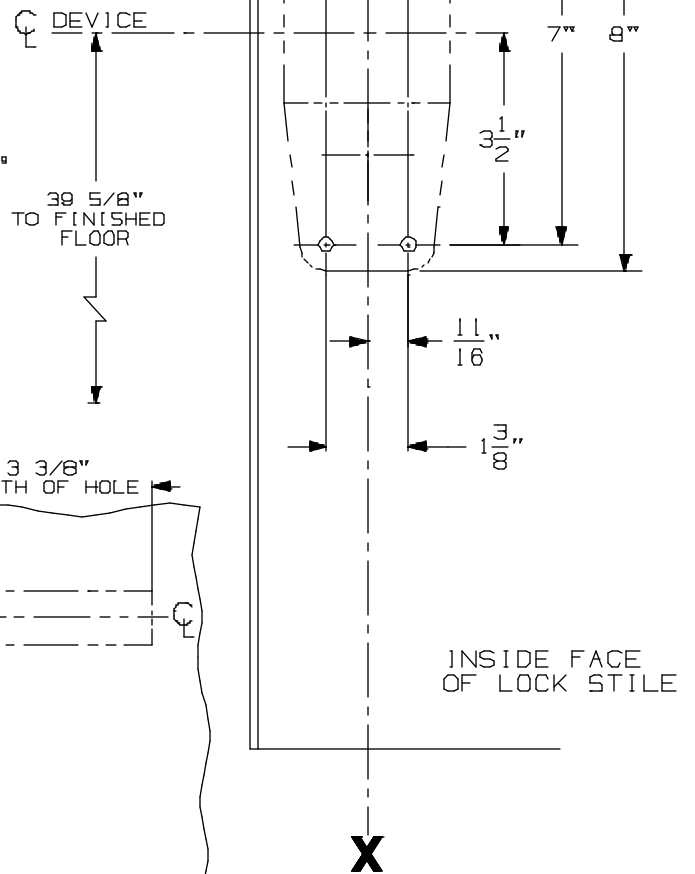


DEVICE APPLICATION SCHEDULE		
INSTALLATION	MIN. STILE	BACKSET
TWO VERT. ROD DEVICES	3 11/16"	2 3/16"

APPLICATION	PREPARATION
SURFACE APPLICATION	#10-24 TAP - 4 PLACES
990 TRIM APPLICATION SEX BOLT APPLICATION (SEE NOTE 1)	1/4" DIA. THIS SIDE 1 3/32" DIA. OPPOSITE SIDE - 4 PLACES

NOTES:

1. THESE FOUR HOLES TO BE PREPARED FOR SURFACE APPLICATION (#10-24 TAP) WHEN USING 696/697 TRIM. DO NOT PREPARE FOR SEX BOLTS.
2. FOR STOCK HOLLOW METAL DOORS SEE TEMPLATE NO. 10310.
3. LATCH CASE PREPARATION TO BE MADE AT INSTALLATION ON DOOR.
4. IT IS RECOMMENDED THE MOUNTING HOLES BE PREPARED IN THE FIELD.
5. FOR OUTSIDE TRIM PREPARATION, WHEN REQUIRED, SEE TRIM TEMPLATE.
6. GLASS BEAD KIT AVAILABLE WHEN REQUIRED.
7. LHR APPLICATION SHOWN, RHR APPLICATION OPPOSITE.
8. THE FIRE LATCH PREP IS FOR FIRE DOORS ONLY.



98/9927-F-LBR EO & DT Series
Vertical Rod Devices

VON DUPRIN®

NOTES: SEE MASTER SHEET #10001 FOR SUGGESTED REINFORCING

TEMPLATE
NUMBER:

10317_a

DATE:
05-21-13