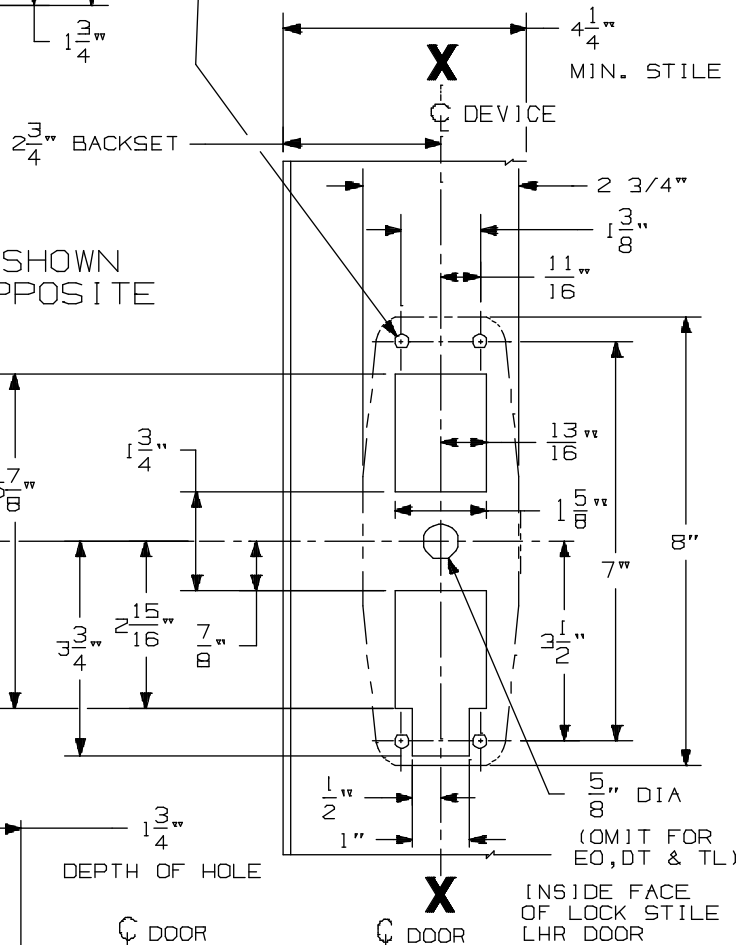


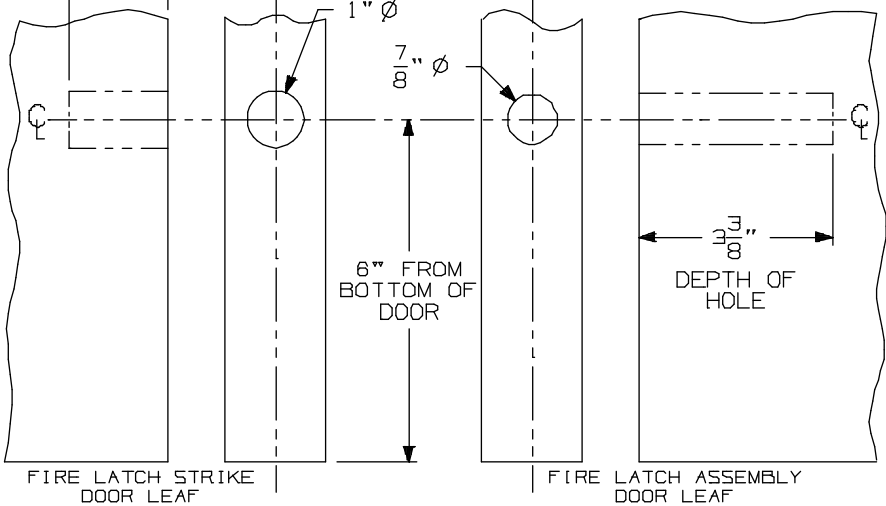
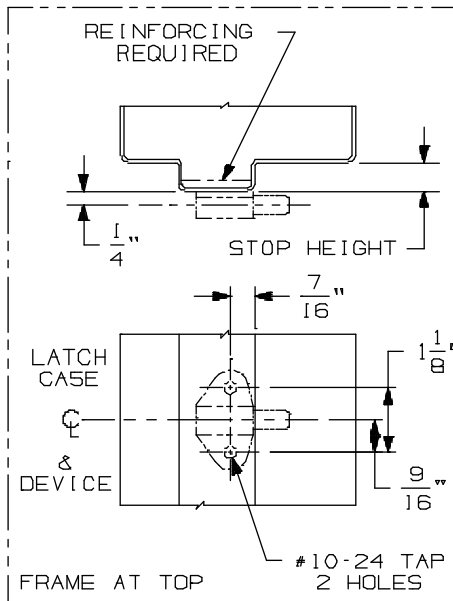
| APPLICATION | PREPARATION |
|-----------------------------------|------------------------------------|
| SURFACE APPLICATION | #10-24 TAP - 4 PLACES |
| 990 TRIM APPLICATION | 1/4 DIA. THIS SIDE |
| SEX BOLT APPLICATION (SEE NOTE 1) | 3/32 DIA. OPPOSITE SIDE - 4 PLACES |

NOTE 1: THESE 4 HOLES TO BE PREPARED FOR SURFACE APPLICATION (#10-24 TAP) WHEN USING 696/697 TRIM. DO NOT PREPARE FOR SEX BOLTS



GLASS BEAD KIT AVAILABLE WHEN REQUIRED

NOTE: IT IS RECOMMENDED THE MOUNTING HOLES BE PREPARED IN THE FIELD. FOR OUTSIDE TRIM PREPARATION, WHEN REQUIRED, SEE ADDITIONAL TRIM TEMPLATE.



98/9947-F-LBR Series Concealed Vertical Rod Device

VON DUPRIN®

NOTES: SEE MASTER SHEET #10001 FOR SUGGESTED REINFORCING

TEMPLATE NUMBER:

10323_a

DATE:
05-21-13