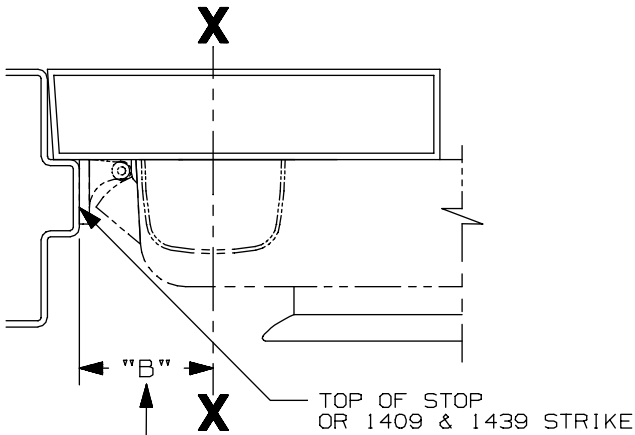
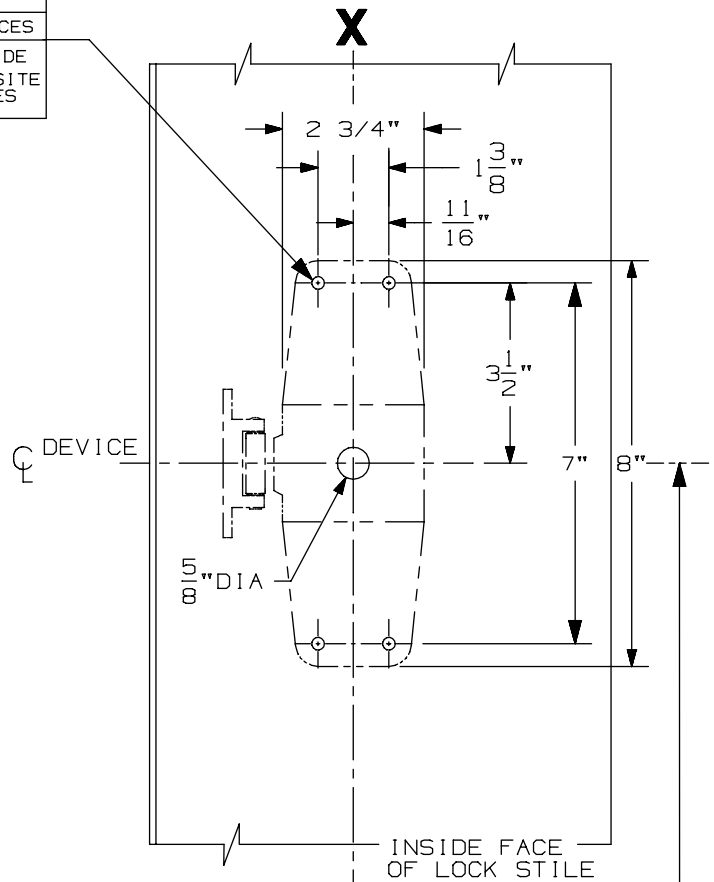


APPLICATION	PREPARATION
SURFACE APPLICATION	#10-24 TAP 4 PLACES
990 TRIM APPLICATION OR SEX BOLT APPLICATION (SEE NOTE 1)	1/4" DIA THIS SIDE 13/32" DIA OPPOSITE SIDE - 4 PLACES



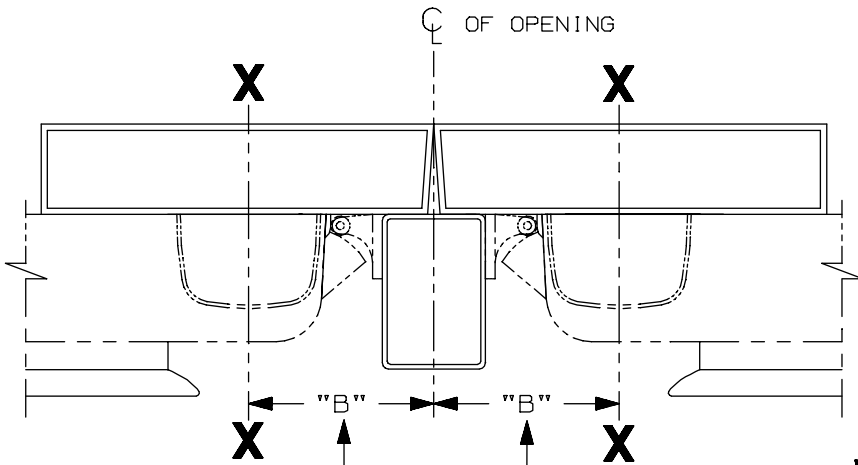
SINGLE DOOR INSTALLATION			
STRIKE	DIM. "B"	MIN. STILE 990/991/992 TRIM	MIN. STILE 696/697 TRIM
299 & 299-F	2 3/8"	4 1/2"	4 3/8"
1409 & 1439	1 9/16"	3 13/16"	3 13/16"
1606	1 15/16"	4 1/16"	3 15/16"



SINGLE DOOR OPENING
39 13/16" TO FINISHED FLOOR

DOUBLE DOOR OPENING
WITH VON DUPRIN MULLION
39 11/16"

NOTE:
RECOMMENDED DOOR UNDERCUT
IS 1/4" FROM FINISHED FLOOR
(PANIC & FIRE) OR 1/8" FROM
THRESHOLD (PANIC ONLY)



DOUBLE DOOR INSTALLATION WITH VON DUPRIN MULLIONS				
MULLION	STRIKE	DIM. "B"	MIN. STILE 990/991/992 TRIM	MIN. STILE 696/697 TRIM
4954	299	3 3/8"	4 7/8"	4 3/4"
9954	499-F	3 1/2"	5"	4 7/8"
5654	299	2 15/16"	4 3/8"	4 1/4"
5754	1408	2 1/8"	3 13/16"	3 13/16"
1654	1606	2 15/16"	4 3/8"	4 1/4"
HH9954	499-F	3 1/2"	5"	4 7/8"

LHR APPLICATION SHOWN,
RHR APPLICATION OPPOSITE

- NOTES:
1. THESE FOUR HOLES TO BE PREPARED FOR SURFACE APPLICATION WHEN USING 696/697 TRIM. DO NOT PREPARE FOR SEX BOLTS.
 2. GLASS BEAD KIT AVAILABLE WHEN REQUIRED.
 3. FOR OUTSIDE TRIM PREPARATION, WHEN REQUIRED, SEE TRIM TEMPLATE.
 4. LATCH CASE PREPARATION TO BE MADE AT INSTALLATION ON DOOR.
 5. IT IS RECOMMENDED THE MOUNTING HOLES BE PREPARED IN THE FIELD.

STD & CX9857/9957 & 9857-F/9957-F NL
Series 3 Point Latching Device

VON DUPRIN®

NOTES: SEE MASTER SHEET #10001 FOR SUGGESTED REINFORCING

TEMPLATE
NUMBER:

10361_b

DATE:
05-24-21