

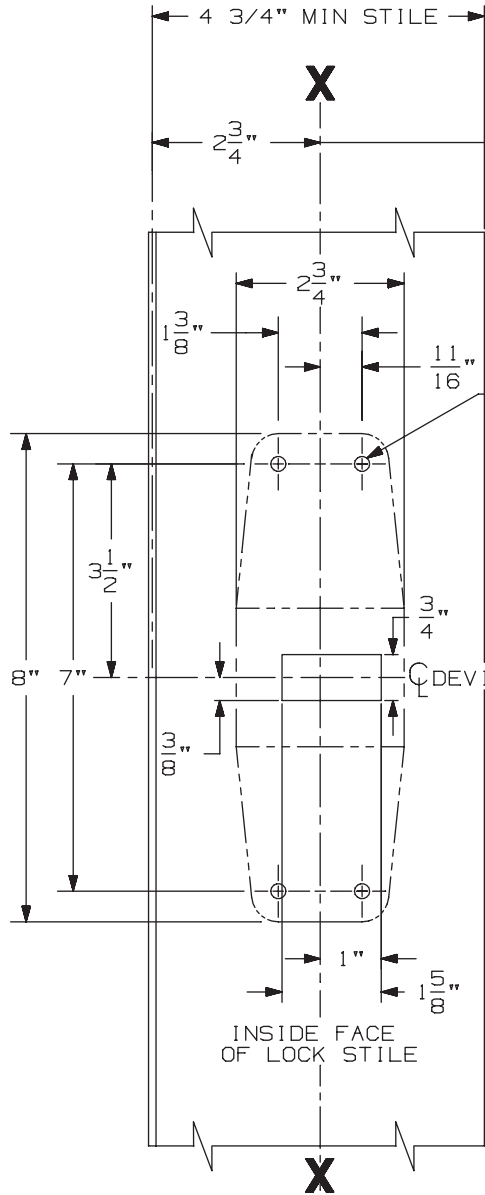
9875/9975 & 9875-F/9975-F Series Mortise
Lock Devices

TEMPLATE
NUMBER:

10305_a

DATE:
05-21-13

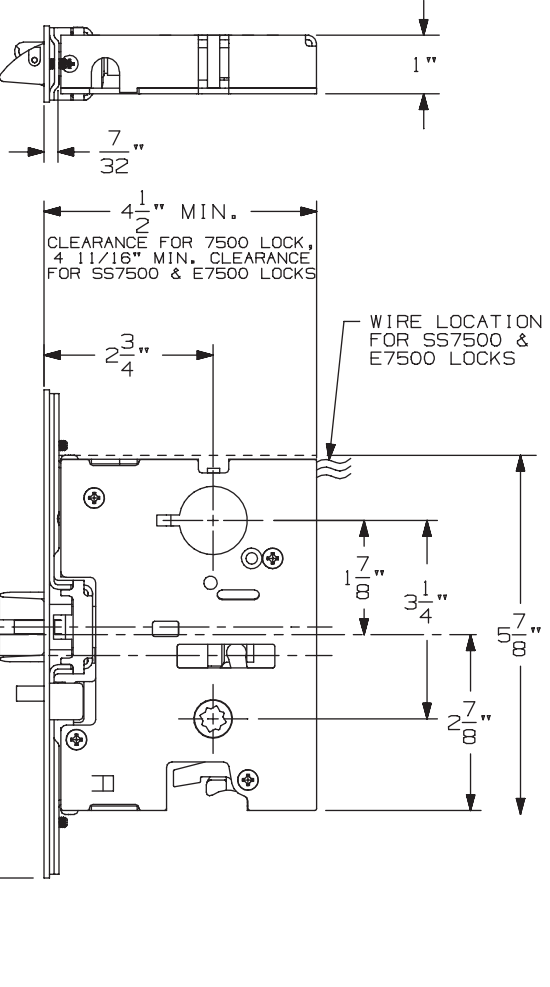
VON DUPRIN®



BACKSET FROM CENTER OF DOOR EDGE

APPLICATION	PREPARATION
SURFACE APPLICATION	#10-24 TAP, 4 PLACES
990 TRIM APPLICATION OR SEX BOLT APPLICATION (SEE NOTE 1)	1/4" DIA THIS SIDE 13/32" DIA OPPOSITE SIDE 4 PLACES

- NOTES:
1. THESE FOUR HOLES TO BE PREPARED FOR SURFACE APPLICATION WHEN USING 696/697 TRIM. DO NOT PREPARE FOR SEX BOLTS.
 2. FOR STOCK HOLLOW METAL DOORS SEE TEMPLATE NUMBER 10312 FOR TYPE '86' CUTOUT.
 3. GLASS BEAD KIT AVAILABLE WHEN REQUIRED.
 4. WIRING TO SS7500 & E7500 LOCKS GO THROUGH DOOR NOT DEVICE.
 5. FOR OUTSIDE TRIM PREPARATION, WHEN REQUIRED, SEE TRIM TEMPLATE.
 6. THE SS7500 LOCK MUST BE USED FOR LX98/9975 SERIES DEVICE APPLICATIONS.



LHR APPLICATION SHOWN,
RHR APPLICATION OPPOSITE