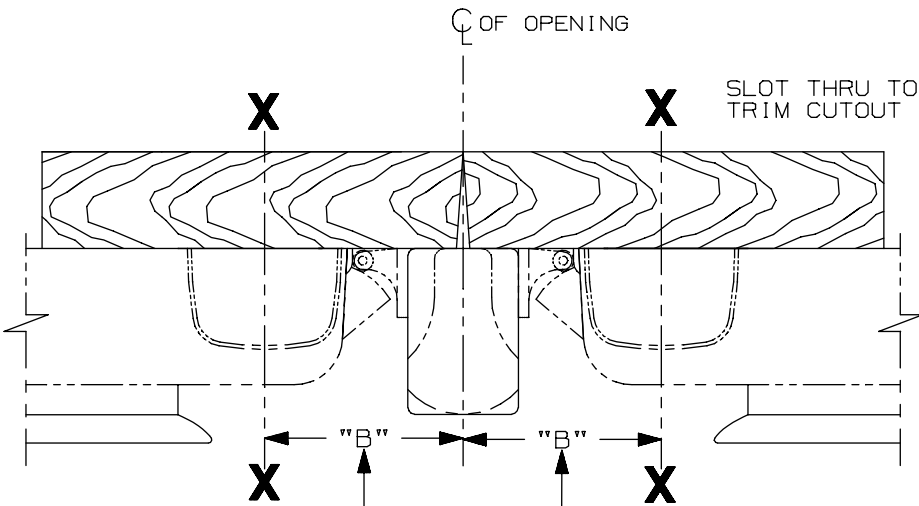
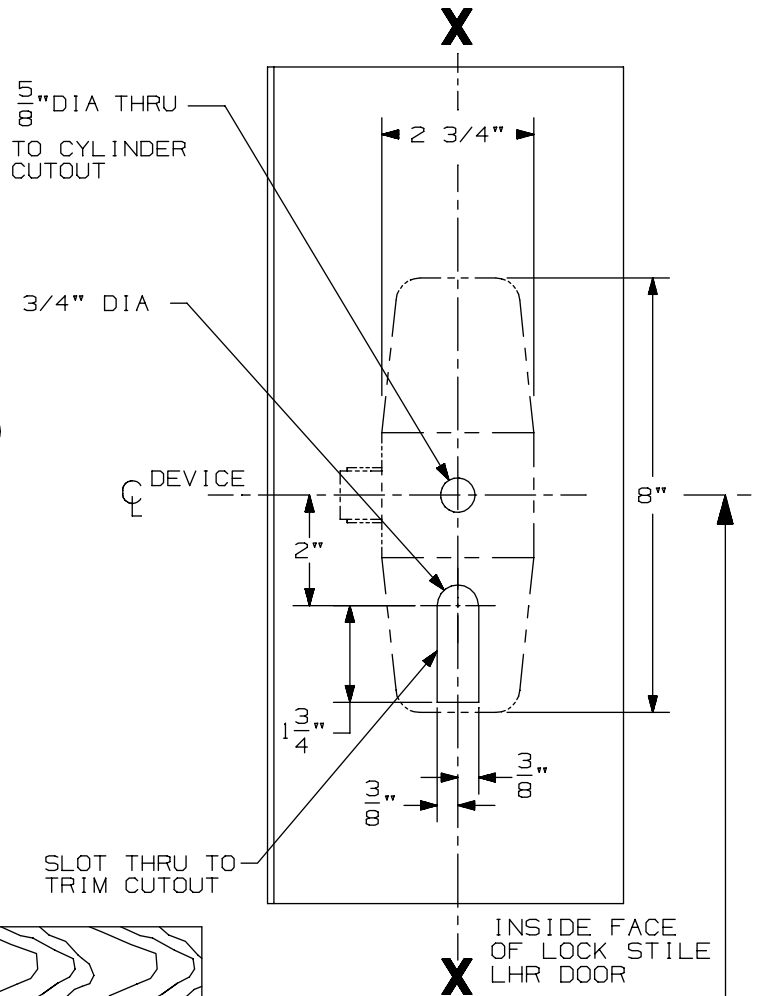


| SINGLE DOOR INSTALLATION |          |            |
|--------------------------|----------|------------|
| STRIKE                   | DIM. "B" | MIN. STILE |
| 299 & 299-F              | 2 3/8"   | 4 1/2"     |
| 1409/1439                | 1 9/16"  | 3 13/16"   |
| 1606                     | 1 15/16" | 4 1/16"    |

⑦



SINGLE DOOR OPENING  
39 13/16" TO FINISHED FLOOR

DOUBLE DOOR OPENING  
WITH VON DUPRIN MULLION  
39 11/16" TO FINISHED FLOOR

| DOUBLE DOOR INSTALLATION WITH VON DUPRIN MULLIONS |        |          |            |
|---|--------|----------|------------|
| MULLION   | STRIKE | DIM. "B" | MIN. STILE |
| 4954  | 299    | 3 3/8"   | 4 7/8"     |
| 9954  | 499-F  | 3 1/2"   | 5 "        |
| 5654  | 299    | 2 15/16" | 4 3/8"     |
| 5754  | 1408   | 2 1/8"   | 3 13/16"   |
| 1654  | 1606   | 2 15/16" | 4 3/8"     |

REMOVE GLASS STOP OR BEAD  
IN AREA OF DEVICE IF REQUIRED  
UNLESS GBK IS USED.

LHR SHOWN  
RHR OPPOSITE

FOR OUTSIDE TRIM PREPARATION, WHEN REQUIRED,  
SEE ADDITIONAL TRIM TEMPLATE

NOTE:  
MOUNTING HOLES TO BE PREPARED  
AT INSTALLATION ON DOOR.

98/99 & 98-F/99-F, TP, K, & L Series  
Rim Device (Wood Door)

**VON DUPRIN**®

NOTES: SEE MASTER SHEET #10001 FOR SUGGESTED REINFORCING

TEMPLATE  
NUMBER:

W10302\_a

DATE:  
05-29-13