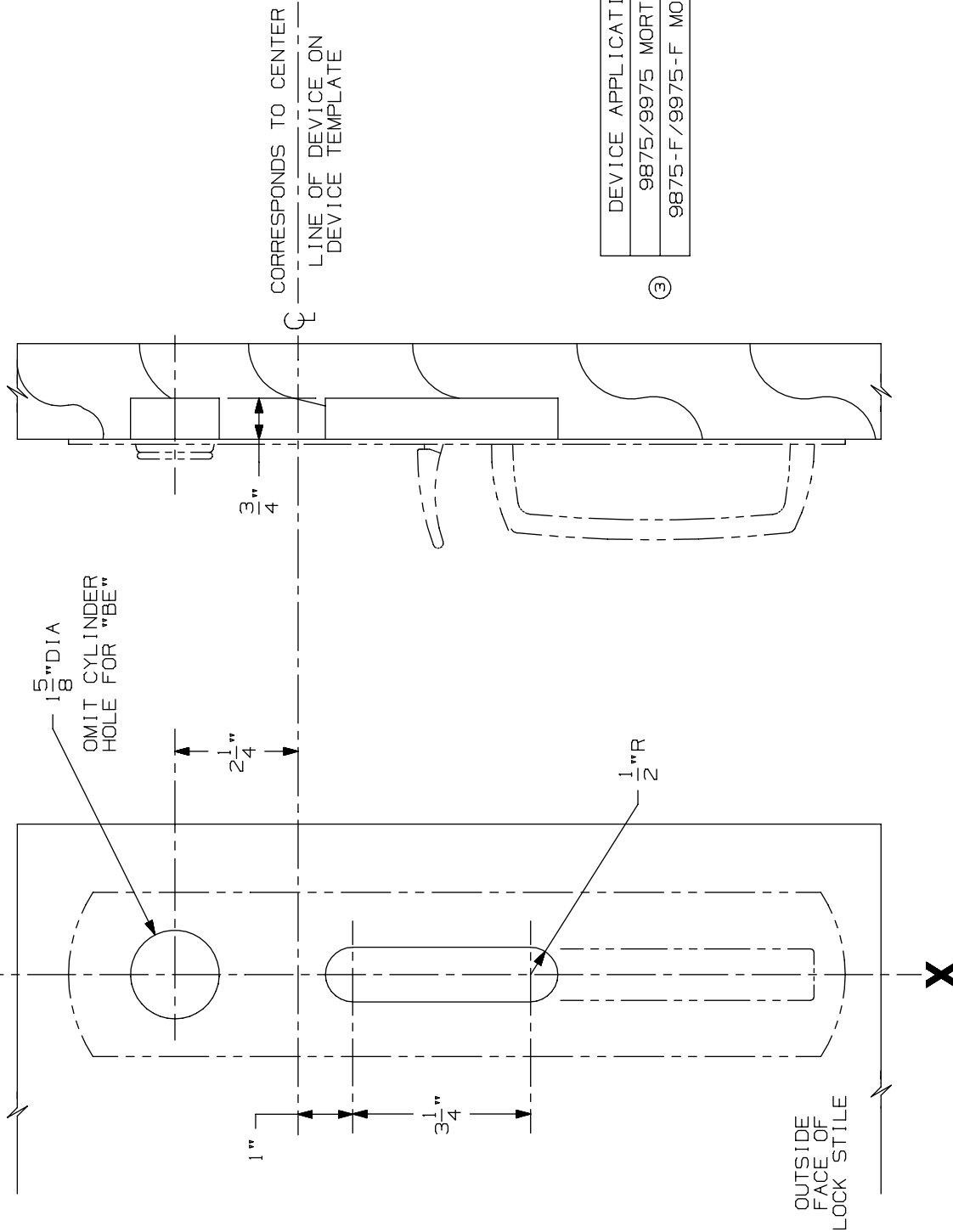


LINE X-X CORRESPONDS TO
LINE X-X ON DEVICE TEMPLATE



CORRESPONDS TO CENTER
LINE OF DEVICE ON
DEVICE TEMPLATE

| |
|------------------------------|
| DEVICE APPLICATION SCHEDULE |
| 9875/9975 MORTISE DEVICE |
| 9875-F/9975-F MORTISE DEVICE |

③

LHR SHOWN
RHR OPPOSITE

NOTE: MOUNTING HOLES TO BE PREPARED
AT INSTALLATION ON DOOR.

FOR CUTOUTS ON INSIDE FACE OF DOOR
SEE DEVICE TEMPLATE.

990TP & 990TP-BE Trim (Wood Door)

VON DUPRIN®

NOTES: SEE MASTER SHEET #10001 FOR SUGGESTED REINFORCING

TEMPLATE
NUMBER:

W20270_a

DATE:
05-29-13