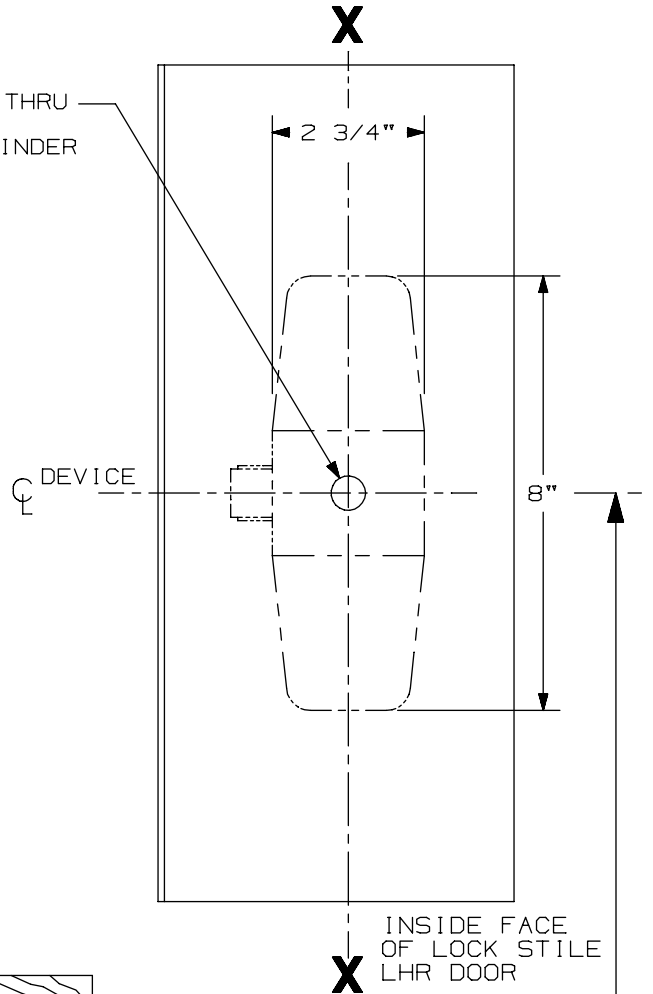


SINGLE DOOR INSTALLATION

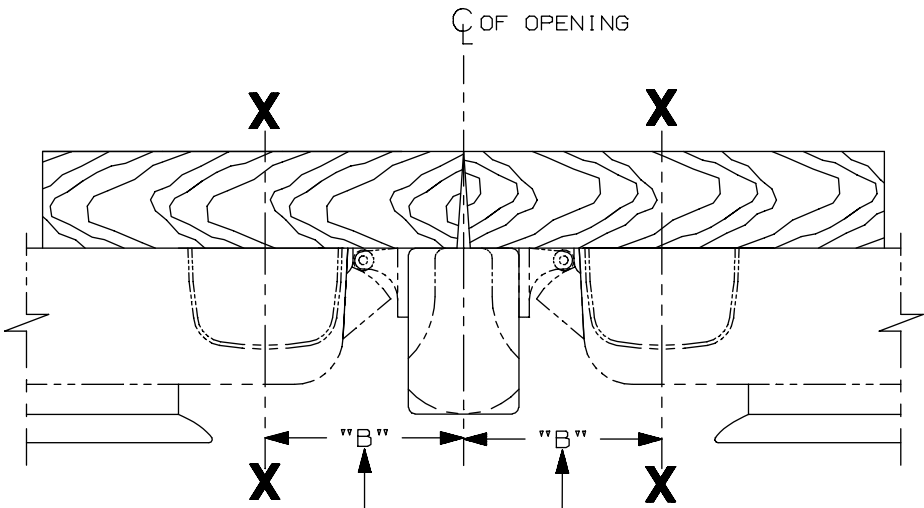
STRIKE	DIM. "B"	MIN. STILE
299 & 299-F	2 3/8"	4 1/2"
(3) 1409/1439	1 9/16"	3 13/16"
1606	1 15/16"	4 1/16"

5/8" DIA THRU
TO CYLINDER
CUTOUT



SINGLE DOOR OPENING
39 13/16" TO FINISHED FLOOR

DOUBLE DOOR OPENING
WITH VON DUPRIN MULLION
39 11/16" TO FINISHED FLOOR



**DOUBLE DOOR INSTALLATION
WITH VON DUPRIN MULLIONS**

MULLION	STRIKE	DIM. "B"	MIN. STILE
4954	299	3 3/8"	4 7/8"
9954	499-F	3 1/2"	5 "
5654	299	2 15/16"	4 3/8"
5754	1408	2 1/8"	3 13/16"
1654	1606	2 15/16"	4 3/8"

REMOVE GLASS STOP OR BEAD
IN AREA OF DEVICE IF REQUIRED
UNLESS GBK IS USED.

LHR SHOWN
RHR OPPOSITE

FOR OUTSIDE TRIM PREPARATION, WHEN REQUIRED,
SEE ADDITIONAL TRIM TEMPLATE

NOTE:
MOUNTING HOLES TO BE PREPARED
AT INSTALLATION ON DOOR.

**CX98/99 NL Series Rim Device
(Wood Door)**

VON DUPRIN®

NOTES: SEE MASTER SHEET #10001 FOR SUGGESTED REINFORCING

TEMPLATE
NUMBER:

W10354_a

DATE:
05-29-13