

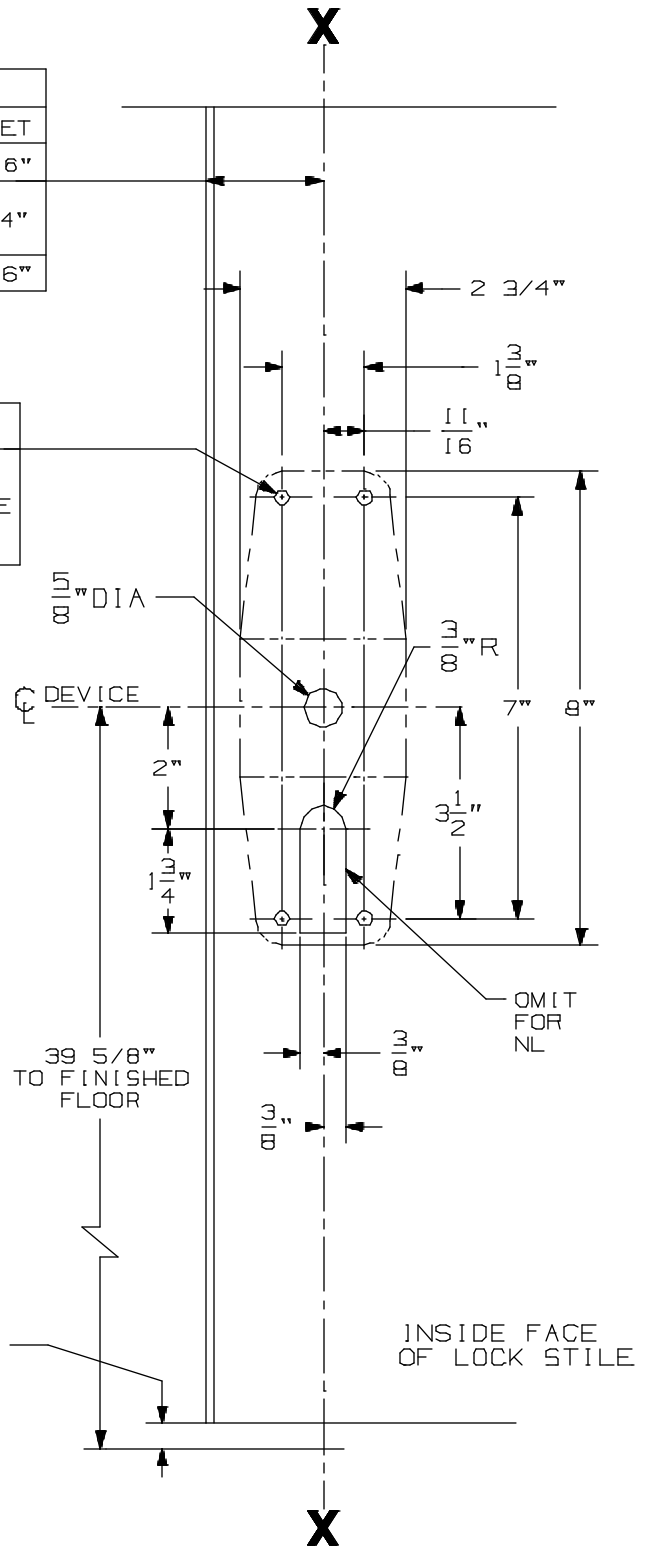
DEVICE APPLICATION SCHEDULE		
INSTALLATION	MIN. STILE	BACKSET
TWO VERT. ROD DEVICES	3 11/16"	2 3/16"
VERT. ROD & MORTISE DEVICE	SEE TEMP. 10305	2 3/4"
SINGLE DOOR	3 11/16"	2 3/16"

APPLICATION	PREPARATION
990 TRIM APPLICATION	1/4" DIA. THIS SIDE
SEX BOLT APPLICATION (SEE NOTE 1)	13/32" DIA. OPPOSITE SIDE - 4 PLACES

NOTES:

1. THESE FOUR HOLES TO BE PREPARED FOR SURFACE APPLICATION (#10-24 TAP) WHEN USING 696/697 TRIM. DO NOT PREPARE FOR SEX BOLTS.
2. FOR STOCK HOLLOW METAL DOORS SEE TEMPLATE NO. 10311.
3. LATCH CASE PREPARATION TO BE MADE AT INSTALLATION ON DOOR.
4. IT IS RECOMMENDED THE MOUNTING HOLES BE PREPARED IN THE FIELD.
5. FOR OUTSIDE TRIM PREPARATION, WHEN REQUIRED, SEE TRIM TEMPLATE.
6. LHR APPLICATION SHOWN, RHR APPLICATION OPPOSITE.
7. BACKSET MAY VARY WHEN USED WITH COORDINATOR.
8. GLASS BEAD KIT AVAILABLE WHEN REQUIRED.

RECOMMENDED DOOR UNDERCUT IS 1/4" FROM FINISHED FLOOR (PANIC & FIRE) OR 1/8" FROM THRESHOLD (PANIC ONLY).



CX9827/CX9927 NL, TP, K, & L Series
Vertical Rod Devices

VON DUPRIN®

NOTES: SEE MASTER SHEET #10001 FOR SUGGESTED REINFORCING

TEMPLATE NUMBER:

10357_a

DATE:
05-22-13