

## Introduction

The XME 9000 is a Standalone Electronic Classroom Security function lock that provides a remote lockdown along with the security afforded by using a grade 1 heavy duty mortise lockset.

Lockdown is accomplished using a Remote Control Unit (RCU) that is paired with one or more locks within the RCU's 75 foot range. The RCU is specific to the paired lock or locks. With a simple push of the RCU button the lock is secured against unauthorized outside entry. Lockdown is further indicated by red LEDs on both inside and outside portions of the lock that signify a lockdown is in progress. The RCU is normally controlled by a teacher or other designated individual that is granted responsibility for the room. The RCU will be carried at all times by the designated individual of the room, much like any other small piece of security or safety equipment.

The room will remain in lockdown until a lockdown cancellation code is entered from outside. The lock is always able to be opened from the inside to allow for a safe evacuation when necessary. During lockdown, a user code, office code or key override may be used to gain access to the room. The locking system is operated by batteries and is not affected by power outages. Overall the system is a secure, safe, practical and simple method to ensure the safety of the room and especially children.

## Features

- Standalone electronic classroom intruder function
- Remote control unit (RCU) for lockdown
- Mechanical key override
- Inside and outside red LED lockdown indicators
- Lockdown cancellation code releases lockdown mode
- Heavy duty Grade 1 cylindrical lockset

## Electronic Specifications

- Application: For classroom lockdown, full indoor and outdoor
- User/Office code capacity per lock : 90
- Emergency code capacity per lock: 9
- RCU verification time: less than 1 second
- Communication: Multi-colored LEDs and Sound
- Power supply: 4AA battery
- Battery life: Up to 2 years
- Operating temperature: -31° to 151° F (-35° to 66°C)
- Certifications: FCC Part 15, UL 10C, ANSI/BHMA A156.13



### Mechanical Specifications

<b>Door Thickness</b>	1-3/4" standard, other upon request
<b>Backset</b>	2-3/4"
<b>Strike</b>	ASA Strike standard, 1-1/4" X 4-7/8"
<b>Latch bolt</b>	Stainless Steel, split, anti-friction, 3/4" projection
<b>Guard bolt</b>	Stainless Steel
<b>Faceplate</b>	Stainless Steel, 1-1/8" x 8"
<b>Strike</b>	ASA Strike, 1-1/4" X 4-7/8"
<b>Escutcheon</b>	Steel or zinc alloy
<b>Lever</b>	Forged brass or zinc
<b>Lever Style</b>	Sentinel (S), Quest (Q) and Gala(G), designer lever styles upon request
<b>Cylinder</b>	<ul style="list-style-type: none"> <li>- 6 pin Schlage® "C" Keyway, standard</li> <li>- Small Format IC with or without core available, 6 or 7 pin core, Best® "A" keyway</li> <li>- Schlage® Large Format IC less core available</li> <li>- Corbin® Large Format IC less core available, for 6 pin core</li> <li>- High Security Cylinder available, 6 pin, TownSteel "L" keyway</li> <li>- High Security SFIC Core available, 7 pin, TownSteel "L" keyway</li> </ul>
<b>Keying</b>	KD standard, KA, MK, GMK, GGМК and construction available
<b>Finish</b>	US26D and US10B stocked, other upon request
<b>Warranty</b>	1-year limited for electronic, 5-year limited for finish, 10-year limited for mechanical

### Code Compliance

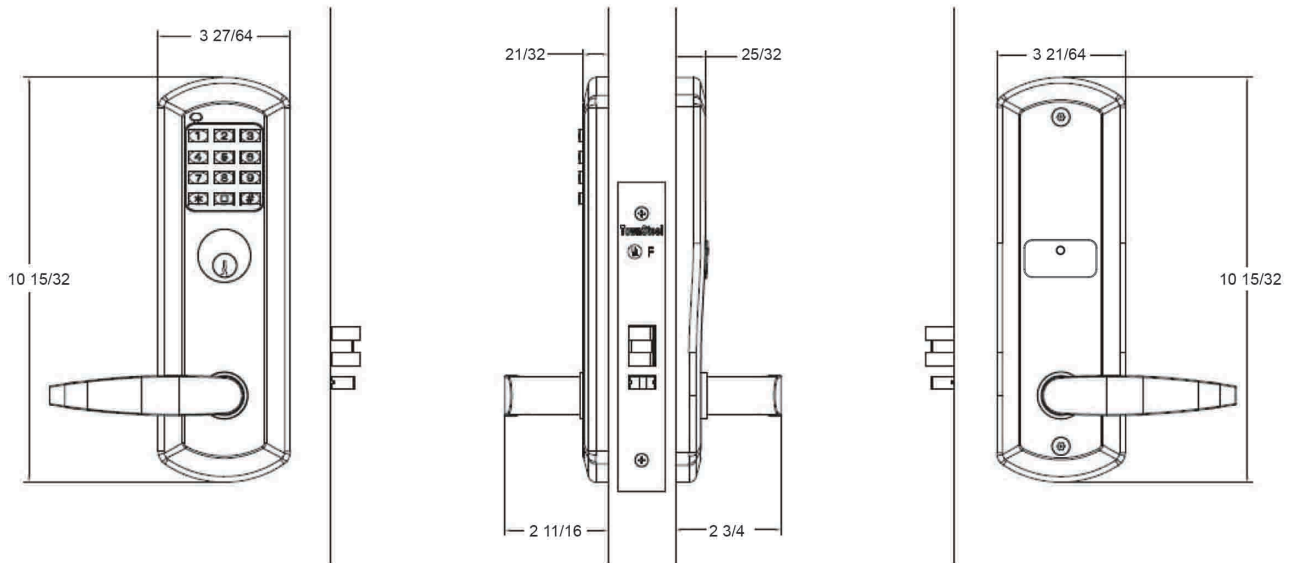
<b>ANSI/BHMA A156.13</b>	A156.13-2005 Grade 1 Certified
<b>ANSI/BHMA A156.25</b>	Meets or exceeds all applicable requirements
<b>UL/ULC</b>	UL 10C 3-hour rated
<b>BAA</b>	Meets guidelines of the Buy American Act
<b>ADA</b>	Meets requirements of the Americans with Disabilities Act
<b>RoHS</b>	Meets requirements of EU RoHS Directive 2002/95/EC
<b>FCC</b>	FCC part 15 certified

# XME-9000



MORTISE WITH KEYPAD

## Profile



## How to order

XME - - - -

**Series:**

- XME-9010 Rigid
- XME-9020 Clutched
- XME-9030 Rigid, High Security
- XME-9040 Clutched, High Security

**Lever Style:**

- S Sentinel
- Q Quest
- G Gala

**Finshes:**

- US26D Satin Chrome
- US10B Powder Coat

**Keying**

Specify when ordering