



Residential Price Book

May 1, 2018 Volume 34



Yale® Designer Finishes

Please check each product's specifications for availability.

nest × **Yale®**

Yale
real
Living®

| | | |
|---------------------------------------|--|--------------------------------------|
| Polished Brass US3 (605) | Oil Rubbed Bronze Permanent 10BP | Satin Nickel US15 (619) |
|---------------------------------------|--|--------------------------------------|

Yale
nexTouch™

Yale
pivot
COLLECTION™

| | | | |
|---------------------------------------|---------------------------------------|--|--------------------------------------|
| Satin Chrome US26D (626) | Polished Brass US3 (605) | Oil Rubbed Bronze Permanent 10BP | Satin Nickel US15 (619) |
| | Satin Chrome US26D (626) | Black Suede BSP | |

YH
COLLECTION™

| | | | | |
|---|---------------------------------------|--|--------------------------------------|--|
| Polished Brass US3 (605) | Antique Brass US5 (609) | Oil Rubbed Bronze Permanent 10BP | Satin Nickel US15 (619) | Antique Nickel US15A (620) |
| Polished Chrome US26 (625) | Satin Chrome US26D (626) | Gun Metal GM | Black Suede BSP | Dark Oxidized Satin Bronze - equivalent 10BE (613E) |

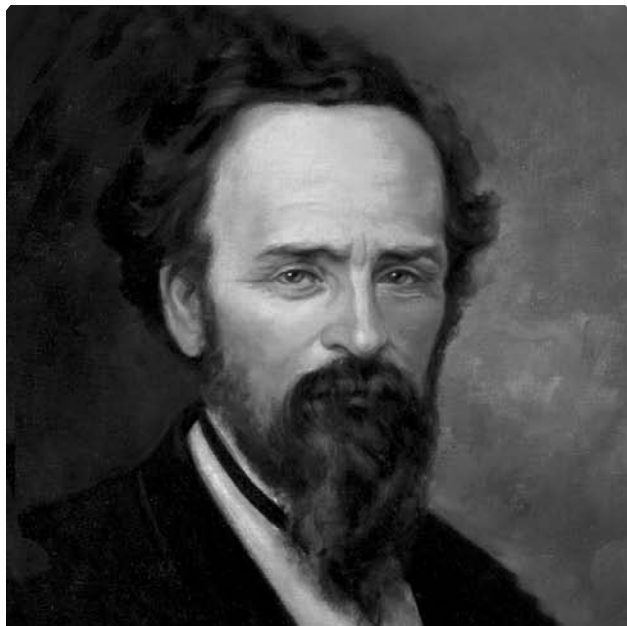
NEW
TRADITIONS®

| | | | | |
|---|---------------------------------------|--|--------------------------------------|--|
| Polished Brass US3 (605) | Antique Brass US5 (609) | Oil Rubbed Bronze Permanent 10BP | Satin Nickel US15 (619) | Antique Nickel US15A (620) |
| Polished Chrome US26 (625) | Satin Chrome US26D (626) | Gun Metal GM | Black Suede BSP | Dark Oxidized Satin Bronze - equivalent 10BE (613E) |

YE
SERIES®

| | | | | |
|---------------------------------------|--|--------------------------------------|--|---|
| Polished Brass US3 (605) | Oil Rubbed Bronze Permanent 10BP | Satin Nickel US15 (619) | Stainless Steel US32D** (632) | ** Stainless Steel US32D available only in the YE Series® Athens knob |
|---------------------------------------|--|--------------------------------------|--|---|

A Complete Range Of Products Set Forth By Linus Yale In 1840



Yale Locks & Hardware is committed to offering a complete range of residential products of exceptional value. Yale Real Living, the next generation of electronic residential locks and digital door viewers from Yale, provides versatility and convenient access. The fine details of engineering refinement in our mechanical product lines are reflected in the Grade 2 YH Collection from Yale, New Traditions from Yale, with its astounding affordability in Grade 3 hardware, to our most competitive edge – Yale Edge Series. For excellent consistency, performance and lasting beauty, look to Yale for residential locksets with features unmatched in hardware.

Contents

| | |
|---|----------------------------|
| Terms of Sale Ordering Information | 4 |
| Yale® QuickShip™ | 7 |
| Nest x Yale Lock | 8 |
| Yale Real Living® | |
| Assure Lock® SL | 12 |
| Assure Lock® | 16 |
| Assure Lock® with Bluetooth® | 20 |
| Assure Lever™ | 24 |
| Keyless Entry Lever Locks | 28 |
| B1L and T1L Locks | 32 |
| Look Door Viewer® | 36 |
| Digital Door Viewers | 39 |
| Assure Lock® Interconnected | 43 |
| Interconnected Mechanical | 46 |
| nexTouch™ Wireless | 50 |
| Pivot Collection™ from Yale® | 53 |
| YH Collection™ from Yale® | |
| Knobs | 55 |
| Levers | 59 |
| Deadbolts | 64 |
| Latches | 67 |
| New Traditions® from Yale® | |
| Knobs | 68 |
| Levers | 71 |
| Deadbolts | 74 |
| Latches | 77 |
| Decorative Handlesets | 78 |
| YE Series® from Yale® | |
| Product Selection | 86 |
| Pocket Door Locks | 91 |
| Accessories | 92 |
| Handing | 63,72,88 |
| Keying Information | 93 |
| UL Ratings | 7 |
| Mounts | 15,19,23,27,31,38,41,42,95 |

Yale® Terms and Conditions of Sale

Terms & Conditions

Minimum freight requirements apply. The Terms and Conditions contained on the Yale Website, as published from time to time, shall apply to all purchases of Goods. To the extent that any terms in any invoice conflict with the terms of the Price List, the terms of the Price List shall govern.

For additional information, see the latest Terms & Conditions at: <http://www.yalehome.com/en/yale/yalehome/terms-and-conditions>

Canada: For Terms & Conditions and Warranty information pertaining to product sales in Canada, please visit www.assaabloydss.ca/terms

Note that some products may not be available in Canada as well as some of the programs offered in this price book may differ between the USA and Canada. Please contact your sales representative for more information.

Applicable Law; Definitions

All sales of Yale branded goods ("Goods") shall be governed by the laws of the State of Connecticut, including the Uniform Commercial Code as in effect in Connecticut on the date of sale (the "Code"). Whenever a term defined by the Code is used in these Terms and Conditions of Sale, the definition contained in the Code shall apply here. The purchaser of the Goods agrees that any proceeding brought in connection with the purchase of the Goods shall be brought in any court of competent jurisdiction in Connecticut.

Purchase Price

The purchase price of the Goods is subject to change without notice, and the prices prevailing at the time the Goods are shipped by Yale shall apply unless Yale has agreed in writing to a different price or has given a prior written quotation which constitutes a firm offer. Yale does not guarantee that the price, terms and conditions for reorders of the Goods will be the same as contained in the Yale Price List. Rebates or refunds for Goods that represent dealer stock on hand or for Goods already shipped by Yale will not be given due to any price reduction. The purchase price for any Goods purchased shall be due as and when specified in the invoice covering such Goods. Title to the Goods shall not pass to purchaser until full payment for the Goods is made to Yale.

Binding for all Purchases

All orders, whether solicited or written by our representatives or delivered by you are deemed offers by you to purchase our products. Our acceptance of each such offer is expressly subject to and conditioned on your assent to the Terms and Conditions of Sale contained herein (assent may be deemed to occur if we do not receive a written objection or retraction of such offer within 48 hours after you receive our confirmation of receipt of such offer). No other terms or conditions shall apply.

Prices and Minimum Charges

All prices are subject to change without notice. Prices prevailing at commencement of shipment apply. Regardless of whether ordered for job shipments or for stock. Only orders in excess of \$1500 net are shipped freight prepaid. Due to the expense involved in entering, handling, packaging, shipping and charging, orders of low value will still be accepted yet are assessed as follows:

Orders Shipped from Guadalajara, Mx. (YH Collection™, New Traditions®)

- Orders of less than \$1500 net are subject to a freight/handling charge of \$100.

No orders of less than \$250 will be accepted as a factory order.

Orders Shipped from Berlin, CT.

- See Yale® QuickShip rules, page 7.

Additional charges may apply for expedited shipping, "project packing", special labeling, or special shipping instructions.

Payment

Standard sales terms are 2/10 net 30. The 2.0% discount only applies for invoices paid in full within 10 days of invoice date. Invoices not paid in full within 30 days of invoice date shall incur a service charge of 1.5% per month for each month or fraction thereof (or the maximum rate permitted by law) until paid in full. All delinquent accounts are subject to credit hold.

Freight

All products are invoiced FOB our factory in Guadalajara, MX. or Berlin, CT. Title and risk of loss and damage pass to you upon our transfer of product to carrier. We pay freight charges only on orders in excess of \$1500 net to a single continental U.S. destination by a carrier and routing of our choice. (See Prices and Minimum Charges above.) You will be invoiced and agree to pay all higher freight charges for extra destinations and for special carrier(s) designated by you. Shipping schedules are estimated only and cannot be guaranteed. We are not liable for any delays in shipments.

Discrepancies must be noted with carrier upon receipt as they are your responsibility to claim.

Minimum Annual Purchase Requirement

We may discontinue direct sales to you if you do not meet the minimum annual purchase requirement (currently \$10,000), based on total accepted, shipped and non-canceled orders within each calendar year.

Limited Warranty

Yale, the "Warrantor", extends the following LIMITED WARRANTY to the original purchaser for a single family home, (herein the "lockset" or "locksets") shipped to, and installed in the U.S. or Canada.:

1. Nest x Yale Lock: TWO (2) YEARS for original purchaser for a single family home, THREE (3) YEARS if installed by a Nest Pro, or an ASSA ABLOY Medeco Security Center (MSC) Certified Security Professional sells and installs the Product.
2. YH Collection™ from Yale®, New Traditions® from Yale®: LIFETIME LIMITED finish and mechanical operation warranty.
3. Yale Real Living®: LIFETIME LIMITED finish and mechanical operation warranty; ONE (1) YEAR electronic warranty.
4. Yale nexTouch™: ONE (1) YEAR electrical warranty; THREE (3) YEAR finish and mechanical warranty.
5. Yale Edge Series®: ONE (1) YEAR finish warranty; FIVE (5) YEAR mechanical operation warranty.
6. Yale Mechanical Interconnected: THREE (3) YEAR finish and mechanical warranty.
7. Yale Electronic Interconnected: ONE (1) YEAR on finish and electronic warranty; THREE (3) YEAR mechanical warranty.

1. MECHANICAL PARTS & FINISH.

Yale warrants to the original purchaser of the locksets manufactured by it to be free of defects in material and workmanship as long as the consumer (as the term "consumer" is defined under United States Code Section 2301(3)) occupies the residential premises upon which the lockset was originally installed. If, after initial installation of the lockset, any of the mechanical parts or the finish should become defective, the Warrantor will repair or replace the locksets, in accordance with this Limited Warranty.

- a. When the lockset has been used for commercial, institutional, industrial or other installations other than single-family dwellings, the finish warranty is reduced to ONE (1) YEAR and the mechanical parts warranty is reduced to THREE (3) YEARS.
- b. The warranty on the replacement lockset will be limited to the unexpired term of the original warranty.

2. CONDITIONS AND EXCEPTIONS.

This Limited Warranty shall apply only when the lockset is properly installed in accordance with local codes, ordinances and regulations, the printed instructions provided with it and good industry practices. THIS WARRANTY DOES NOT COVER defects caused by: modification, alteration, repair or service of the lockset by anyone other than Warrantor or an authorized designee of Warrantor; physical abuse to, or misuse of, the lockset or operation of it in a manner contrary to the accompanying instructions; shipment of the product to anyone other than Warrantor for service; improper installation; acts of God; fire; flood; casualty; failure to exercise normal maintenance; for the consequences of uses for which locksets were not designed or designated, or for defects caused by the use of paints, solvents or other chemicals which come in contact with the lockset. THIS WARRANTY DOES NOT COVER scratches or abrasions. THIS WARRANTY DOES NOT APPLY to locksets or component parts of locksets that were not originally manufactured by Warrantor. THIS WARRANTY SHALL NOT APPLY TO SUBSEQUENT OWNERS.

3. SERVICE AND REPAIR EXPENSE.

Under this Limited Warranty the Warrantor will provide only a replacement lockset or a part of it. Warrantor will pay reasonable shipping costs for surface transportation only for locksets returned to Warrantor's Customer Service Department. Warrantor will ship replacement parts under this Limited Warranty at its expense by surface transportation only. Any special handling, express or expedited service or different method of transportation shall only be provided at the request and expense of the purchaser of the locksets. However, if warrantor determines that a lockset does not qualify for repair or replacement under the applicable Limited Warranty, Warrantor will notify the consumer of the estimated costs of repair or replacement and obtain the consumer's authorization and agreement to pay actual repair or replacement costs before proceeding with non-warranty repair or replacement. Warrantor shall have no liability to pay any costs for repairs performed by anyone other than Warrantor or its designee, unless in each instance Warrantor has given written approval for such repair. Warrantor shall not be responsible for any costs incurred for the removal or reinstallation of locksets covered by this Limited Warranty.

4. LIMITATION ON IMPLIED WARRANTIES.

ANY EXPRESS WARRANTY NOT PROVIDED IN THIS LIMITED WARRANTY, AND ANY REMEDY FOR BREACH OF CONTRACT THAT, BUT FOR THIS PROVISION, MIGHT ARISE BY IMPLICATION OR OPERATION OF LAW, IS EXCLUDED AND DISCLAIMED. THE IMPLIED WARRANTIES OF MERCHANTABILITY AND OF

Yale® Terms and Conditions of Sale

FITNESS FOR ANY PARTICULAR PURPOSE ARE EXPRESSLY LIMITED TO THE DURATION OF EACH EXPRESS WARRANTY PERIOD.

a. Should the locksets be considered a consumer product as may be covered by the Magnusson-Moss Federal Warranty Act, please be advised that some states do not allow limitations on how long an implied warranty lasts, so the above limitation may not apply to you.

5. CLAIM PROCEDURE.

To obtain performance of any obligation under this Limited Warranty, you must contact: Yale Locks & Hardware, Customer Service Department, 225 Episcopal Road, Berlin, CT 06037 USA, Tel 1-800-438-1951 Fax 1-800-338-0965.

a. The Warrantor will only honor replacement with an identical or similar lockset or parts of it which are manufactured or distributed by the Warrantor.

b. Customer service department hours are between 8:00 am and 4:30 pm EST, Monday through Friday, except holidays.

6. DISCLAIMER.

THERE ARE NO WARRANTIES THAT EXTEND BEYOND THE DESCRIPTION ON THE FACE OF THIS DOCUMENT. NO OTHER EXPRESS WARRANTY HAS BEEN MADE OR WILL BE MADE ON BEHALF OF THE WARRANTOR WITH RESPECT TO THE LOCKSET OR THE INSTALLATION, OPERATION, REPAIR OR REPLACEMENT OF THE LOCKSET. THE MAXIMUM LIABILITY OF YALE HEREUNDER IS LIMITED TO THE PURCHASE PRICE OF THE LOCKSET. UNDER NO CIRCUMSTANCES SHALL YALE BE LIABLE TO PURCHASER OR ANY OTHER PERSON FOR ANY SPECIAL OR CONSEQUENTIAL DAMAGES, WHETHER ARISING OUT OF TORT, BREACH OF WARRANTY, BREACH OF CONTRACT OR OTHERWISE.

a. Should the locksets be considered a consumer product as may be covered by the Magnusson-Moss Federal Warranty Act, please be advised that (i) some states do not allow the exclusion or limitation of incidental or consequential damages, so the above limitation or exclusion may not apply to you, and (ii) this Limited Warranty gives you specific legal rights, and you may also have other rights which vary from state to state.

b. Warrantor reserves the right to make changes in designs and specifications or to make additions or improvements on its products without notice and without incurring any obligation to incorporate them on products previously manufactured.

General Conditions

(a) **Shipping; Acceptance; Risk of Loss; Security Interest.** Any shipment date given by Yale is approximate and not a guarantee of delivery on the shipment date. Failure of a purchaser to inspect the Goods and notify Yale or any authorized distributor or factory representative in writing of such purchaser's rejection of any Goods upon completion of inspection within 24 hours after receipt of shipment, in each case setting forth the specific grounds for rejection, shall constitute unconditional acceptance of the Goods. Title to the Goods shall not pass until the full purchase price therefore has been paid in full. If after acceptance, the purchaser fails to pay the full purchase price as and when due, Yale shall be entitled to a writ of immediate possession to recover possession of the Goods. Risk of loss or damage to the Goods passes to the purchaser upon delivery of the Goods to the carrier regardless of who pays the shipping costs for such Goods. The purchaser hereby grants to Yale a continuing security interest in and to the Goods purchased from and/or financed by or through Yale to secure repayment of any debt or obligation owed to Yale by the purchaser.

(b) **Force Majeure.** Under no circumstances shall Yale be liable for failure or delay in delivery occasioned in whole or in part by fire, flood, explosion, casualty, accident, acts of God or natural catastrophe, war, riot, strike, lock-out or other labor dispute or industrial disturbance, embargo, law, regulation, ruling, order or requirement of any government or government agency or authority, court, tribunal or military authority, shortage or failure of, or Yale's inability to obtain, Goods, appropriate supplies, materials, equipment, transport or labor, or any other cause or circumstance beyond Yale's control, including delays due to a purchaser's acts omissions or rush circumstances. Under such circumstances, Yale may extend the date of delivery for a reasonable period of time after the period of the delay, apportion its products among its customers in such manner as it deems equitable and substitute for products which cannot be obtained within a reasonable period of time, and the purchaser shall not be relieved of accepting delivery of such products.

(c) **No Other Warranty.** The only warranty given in connection with any Goods sold by Yale is its Limited Warranty to the first purchaser-user provided in Section 3 of these Terms and Conditions of Sale, and no other representations or warranties of any kind shall be made or given by any distributor or other person in connection with the sale of the Goods.

Enforcement Policy

In the event Yale deems it necessary to collect any amount due it from any purchaser, the purchaser shall pay to Yale, upon demand, all costs and expenses of such collection or enforcement including, without limitation, reasonable attorneys' fees and all other costs of collection. In addition, Yale will assess a 1.5% finance charge per month (18% APR) on amounts not paid when due.

Returned Goods Policy

Yale will not accept returned Goods from purchasers for credit or exchange.

Under limited exceptions the following conditions generally would apply:

(a) Written consent to the return of the Goods must be obtained from the Yale Customer Service Manager prior to returning the Goods (at Yale's discretion); (b) Goods returned must be carried in the current QuickShip™ inventory as shown in the Yale Price Book; (c) Any returned Goods shall be accompanied by a completed Merchandise Return Authorization Form provided to the purchaser by Yale; (d) Shipping charges and insurance must be prepaid by the purchaser; (e) All returned Goods accepted by Yale shall be subject to a minimum charge of twenty-five percent (25%) of the original purchase price or the current price, whichever is lower, to cover the cost of testing and repackaging. Additional charges may be imposed if the returned Goods, in the opinion of Yale, require reconditioning; and (f) Any credit given will be based on the original purchase price or the current price for the returned Goods, whichever is the lower. As an exception to the above rules, if items are purchased from ASSA ABLOY's QuickShip program, they may be returned to the Yale warehouse with a 25% re-stocking fee. Authorization in form of an 'Authorization Return Form', must be issued prior to material being returned. Note: QuickShip goods must be returned within 30 days of purchase.

Terms and Conditions Contained in Yale® Price Book

The Terms and Conditions contained in the Yale Price Book, as published from time to time, shall apply to all purchases of Goods. To the extent that any terms in any invoice conflict with the terms of the Yale Price Book, the terms of the Yale Price Book shall govern.

Dispute Resolution

All disputes, controversies, claims or differences which may arise between the parties out of or in relation to the purchase of Goods covered by any invoice or otherwise made by purchaser from Yale (including questions as to whether a matter is governed by this arbitration provision) shall be solely and exclusively settled by binding arbitration conducted in accordance with the American Arbitration Association (AAA) Rules. All hearings and proceedings regarding arbitration shall take place in Berlin, Connecticut. All disputes involving less than \$250,000 shall be heard by a single arbitrator, and all other disputes shall be heard by panel of three arbitrators. The arbitrators shall be selected in a manner as set forth by the AAA. Reasonable discovery shall be allowed. The costs and fees of the arbitration shall be allocated by the arbitrators. The award rendered by the arbitrators shall be final and binding upon the parties, and judgement may be entered and enforced in accordance with applicable law in any court having jurisdiction thereof. The resolution of the arbitration shall be kept confidential by the parties and the arbitrators. Nothing herein shall bar the right of either party to obtain injunctive relief against conduct that will cause irreparable loss or damages under rules of equity. The parties hereby consent to jurisdiction in any court in the State of Connecticut with respect to the enforcement of any arbitration award or injunctive or other judicial relief.

Changes or Cancellations

Any item additions, quantity changes or specification changes made to accepted orders will generate a new acknowledgment for the entire order and a new shipment date. All sales are final. Quantity reductions or cancellations are accepted only with prior written consent at least 2 weeks prior to the scheduled shipment date. Cancellations or reductions after 2 business days of acknowledgement may be subject to a 25% fee. We may without liability cancel any accepted order before shipment if our credit department does not approve your credit.

Programs

All support programs related to the business are only applicable to customers whose account is current and in good standing.

Customer Service

Yale Locks & Hardware, Customer Service Department
225 Episcopal Road, Berlin, CT 06037 USA, Tel 1-800-438-1951
Fax 1-800-338-0965. Customer service department hours are between 8:00 am and 4:30 pm EST, Monday through Friday, except holidays.



Yale Locks & Hardware
Customer Service Department
225 Episcopal Road
Berlin, CT 06037 USA
1-800-438-1951



Ordering Information

Yale **ORDER FORM**

Yale Locks & Hardware
225 Episcopal Road, Berlin, CT 06037 USA
Tel 1-800-438-1951 Fax 1-800-339-0885

Customer PO# 23455 **1** Job Name: HUNTER'S RUN **3** Order# (FOR Yale INTERNAL USE) **2** Date: 12-30-18

Bill To: **4** BUILDER'S SUPPLY
123 MAIN STREET
YOUR TOWN, USA 24687

Ship to: **5** SAME

Phone: **6**

Notes: MARK BOXES: HUNTER'S RUN. KEY HANDLESETS AND DEADBOLTS TO MATCH ENTRY SETS OF 2.

Discount: (FOR Yale USE) **12**

| ITEM | QTY. | SERIES NUMBER | FINISH | LATCH | STRIKE | KEYING | KEYING SYSTEM | PRICE |
|------|------|---------------|--------|------------------|------------------|--------|-----------------|-------|
| 1. | 96 | 100H-SP | 3 | 014123 | 020003 | | | |
| 2. | 72 | 200H-SP | 3 | 014123 | 020003 | | | |
| 3. | 24 | 226H-SP | 3X26 | 014123 | 020003 | | | |
| 4. | 48 | 700H-SP | 3 | 014223 | 020003 | KA2 | Yale®-1BK#77677 | |
| 5. | 6 | 622H-SP | 3 | 014423 015023 | 020653 020003 | KD | Yale®-1BK#77677 | |
| 6. | 48 | 820-SP | 3 | 014423 | 020653 | KD | Yale®-1BK#77677 | |
| 7. | | | | | | | | |
| 8. | | | | | | | | |
| 9. | | | | | | | | |
| 10. | | | | | | | | |
| 11. | | | | | | | | |
| 12. | | | | | | | | |
| 13. | | | | | | | | |
| 14. | | | | | | | | |
| 15. | | | | | | | | |

Buyer Signature **14** Date Yale Company Representative **15** Date

1 Customer Purchase Order Number

Enter the purchase order number that your company has assigned for this order. No order will be processed without a purchase order number and written acknowledgement.

2 Order Date

Enter the date on which you are placing the order.

3 Job Name

Enter job name if applicable.

4 Bill To

Enter the billing name of the company and the full mailing address.

5 Ship To

Enter the company name and the full address to which the order should be shipped. If that information is exactly the same as the "Bill To" information, enter "Same" on the lines provided.

6 Special Instructions

Enter any special shipping, packing, product, keying, or delivery requests in this area. For warehouse orders (non job orders) full case quantities should be ordered.

7 Quantity (Units Only)

Enter the exact number of individual units required. As an example: If there are 24 units in a case and you require 1 case, enter 24 in this space. See below for an example of standard case quantities.

Standard Case Quantities

| | Yale Real Living & Nest x Yale Lock | YH Collection™ Box Pack(SP) | YH Collection™ Clear View (CV) | New Traditions® Box Pack(SP) | New Traditions® Clear View (CV) | Yale Edge Series® Box Pack(SP) |
|---------------------------------|-------------------------------------|-----------------------------|--------------------------------|------------------------------|---------------------------------|--------------------------------|
| Dummy | | 12 | 6 | 12 | 6 Pair | 30 |
| Knobs | | 24 | 6 | 24 | 6 | 30 |
| Levers | 6 | 12 | 6 | 12 | 6 | 20 |
| Deadbolts | 6 | 12 | 6 | 12 | 6 | 30 |
| Combosets | | 12 | 6 | 12 | 6 | 10 |
| Handlesets | | 6 | N/A | 6 | N/A | 6 |
| Handlesets Interior Pack | | 6 | N/A | 6 | N/A | N/A |
| Digital Door Viewers | 2 | | | | | |

8 Function/Design/Packaging/Handing

FUNCTION: Function numbers and descriptions are noted with each series throughout this Yale Price Book.

DESIGN: Indicate by using the two letter designation of the names, listed on price pages.

PACKAGING: All locks are shipped Box Packed as standard unless otherwise specified. SP: Box Packed (Standard Packed) / CV: Clear View / BP: Bulk Pack – Lock trim individually boxed and packed 24 per case. Latches, strikes, screws packed separately. For Retail Packaging (color sleeves), place an R in front of the part number. Retail Packaging is available for select Yale Real Living products only.

HANDING: The hand of a door is always determined by facing the outside of a door. See diagram on page 63,72,88 for further details.

LH: If the hinge is on the left side of the door, then the door is left-handed.

RH: If the hinge is on the right side of the door, then the door is right-handed.

9 Finish Codes

| US | BHMA | Description |
|-------------|------|---------------------------------------|
| 3 | 605 | Polished Brass |
| 5 | 609 | Antique Brass |
| 10BE | 613E | Dark Oxidized Satin Bronze-equivalent |
| 10BP | | Oil Rubbed Bronze Permanent |
| 15 | 619 | Satin Nickel |
| 15A | 620 | Antique Nickel |
| 26 | 625 | Polished Chrome |
| 26D | 626 | Satin Chrome |
| 32D | 632 | Stainless Steel |
| BSP | | Black Suede |
| GM | | Gun Metal |

Split Finishes: Print as stated in current price book

10 Latch Options

Specify 2³/₈" , 2³/₄" , or Adjustable along with latch face type.

See Examples:

SC (Square Corner)

RC (Round Corner)

DI (Drive-In)

ADJ-SC (Adjustable Square Corner)

See pages 67 (YH), and 77 (NT) for more details.

11 Strike Options

Specify strike type. See page 89 for more details.

12 Specifying Keying

Keying requirements must be specified at time of order.

KD: Keyed Different

KA: Keyed Alike

MK: Master Keyed* (A single master key operates all locks within the system.)

BK: Builder Key* (Builder key operates all locksets within a system. Use of homeowner's key cancels the builder key.)

BMK: Builder Keyed and Master Keyed*

(Builder key and master key operates all locksets within a system. Use of tenants key cancels the builder key.)

K-T-P: Keyed To Pass (For apartment vestibules or laundry rooms. All tenant keys will operate.)

GMK: Grand Master Keyed* (More than 1 master key system operated by a single master key.)

BGMK: Builder Keyed and Grand Master Keyed*

(Combination of BK and GMK.) *Builder and/or master keys are sent certified mail to the "Bill To" address, referencing the purchase order number and the original order number. All Master Keyed orders shipped with three (3) master keys at no extra charge. All Builder Keyed orders are shipped with ten (10) builder keys at no extra charge.

13 Keyway / Key System Specifications

KEYWAY: All locks will be shipped with our New Traditions KW 5-Pin cylinder or YH Collection 6-Pin cylinder as standard depending upon the locks ordered. If SC keyway is specified it will ship as 5 pin standard. Para keyway will ship as 6 pin standard. See the available options sections in this Price Book.

KEY SYSTEMS: Note the specific key system to be used if any. This is particularly important if the order is an extension of an existing system.

14 UL Listing

UL RATING REQUIREMENTS: Underwriters



Laboratories requires that the Fire Shield packed with each UL listed products, UL listed latches and the correct strike to be used.

15 Buyer Signature

No order will be processed without an authorized signature.

16 Yale Company Representative

If the order is written by someone other than the authorized buyer, the full name of the person placing the order.

17 Faxing Orders

Fax number for Yale Real Living and all QuickShip orders:

1-877-888-2772

Fax number for Factory Direct New Traditions and YH Series orders: **1-800-338-0965**

18 Emailing Orders

Email all orders to **orders.yaleres@assaabloy.com**.

IMPORTANT: Indicate whether order is a **QuickShip** or **Factory Direct** order.

Yale QuickShip Program

**Order by 11:00AM (EST)
and get SAME DAY SHIPPING***

***Available only with Yale Residential products.
Orders requiring keying or non-standard changes
will delay ship time.**

(examples: cylinders, latches, etc.)

RULES OF ENGAGEMENT:

- **Order by 11:00 AM (EST)
and the order ships the same day**
- **Order after 11:00 AM (EST)
and the order ships the next day**
- **Make NO additional investment
and expand your offering**

ADDITIONAL CHARGES:

- **Item is always a chargeable addition to product cost.**
- **Item is a chargeable addition to Berlin, CT orders only.**
- **Freight charge will be applied to orders less than \$150.00 (contiguous 48 states only, Alaska and Hawaii are 'plus freight')**
- **Yale reserves the right to limit quantities**
- **Net keying charges:
\$1.00 per cylinder for keyed-alike (KD over 4 locks)
\$3.00 for BK and MK**

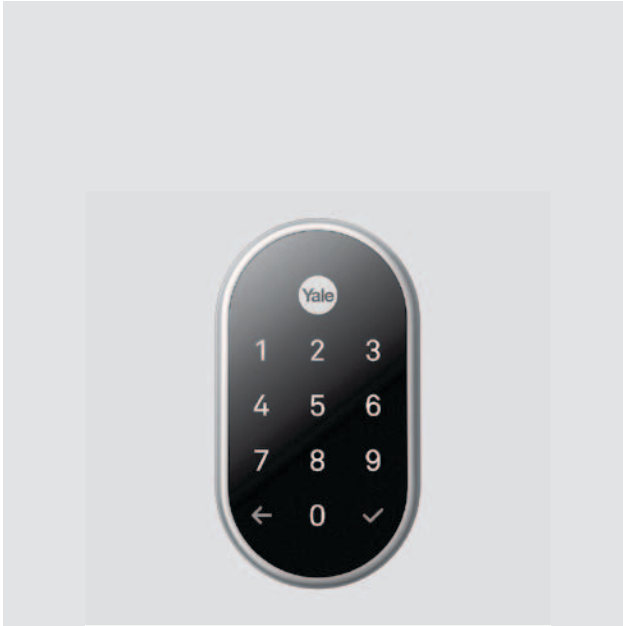
HOW to ORDER:

Look for **BOLD** prices throughout all Yale product listings for **Yale QuickShip** availability.

- **Email Yale QuickShip orders to:
orders.yaleres@assaabloy.com**
- **Fax ALL Yale QuickShip orders to:
1-877-888-2772**
- **Call Yale Customer Service for details:
1-800-438-1951**

Nest x Yale Lock

NEW!



Nest x Yale Lock

The lock for a more secure Nest home.

Nest x Yale Lock combines Yale's 178 years of experience making the world's strongest locks with Nest's industry-leading connected home technology. The result? A lock that's secure, convenient and connected.

- Never worry about keys getting lost, copied or stolen again.
- Create passcodes for friends and family and revoke them anytime.
- Alerts keep you posted on comings and goings.
- Forget to lock the door? No problem. Nest x Yale Lock can lock itself.
- Lock and unlock your door from your phone, from anywhere.
- Hands full? Lock the door with a quick tap



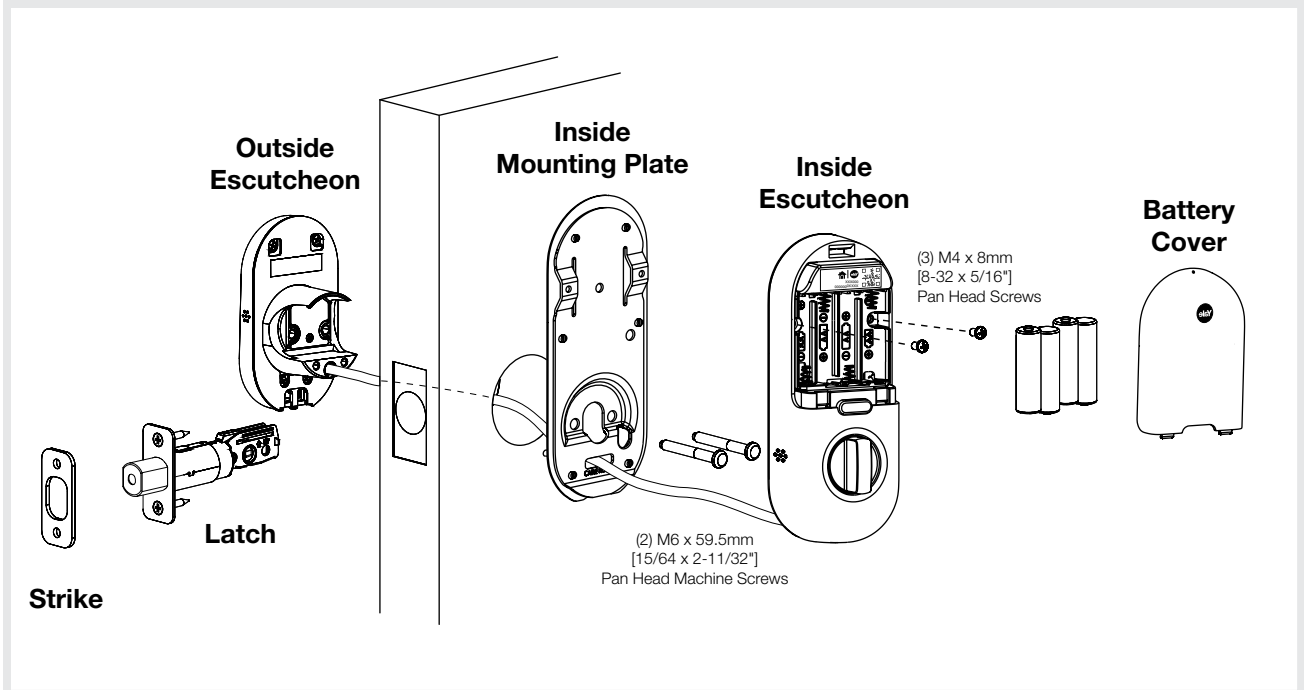
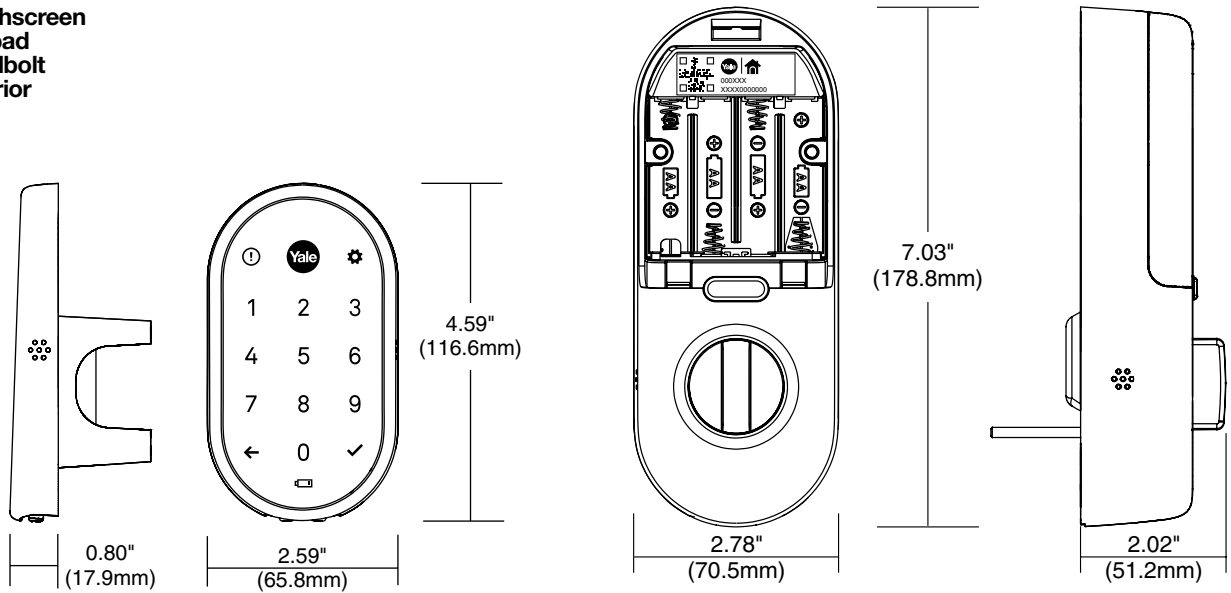
Nest Connect - available with bundle

- Nest Connect translates Weave radio signals into Wi-Fi for cloud access
- Pair multiple Nest x Yale locks to Nest Connect for remote access
- Must be within 40' of the lock

Works with Nest Secure

- Nest Secure is Nest's out of box home security solution
- Arm and disarm the Nest Secure from the Nest x Yale Lock
- Pair multiple Nest x Yale locks to Nest Secure for remote access

**Touchscreen
Keypad
Deadbolt
Exterior**



Nest x Yale Lock


Functions

| NO. | DESCRIPTION |
|---------|---|
| YRD 540 | KEY FREE TOUCHSCREEN DEADBOLT: Latch operated from outside by electronic touchscreen interaction, or inside by T-turn. Use a 9V battery backup on the outside as a override in case the batteries die. |

Standard Case Quantities

| | Box Pack |
|---|----------|
| YRD540 Deadbolt | 6 |
| YRD540 Deadbolt Bundled with Nest Connect | 2 |

Product Specifications

| | |
|-------------------------------|--|
| Door Specs | 2 $\frac{1}{8}$ " Face Bore, 1" Edge Bore 2 $\frac{3}{8}$ " or 2 $\frac{3}{4}$ " Backset |
| Door Thickness | 1 $\frac{3}{8}$ " to 2 $\frac{1}{4}$ " thick |
| Strike | 1" x 2 $\frac{1}{4}$ " RC (Round Corner) |
| Latch | 2 $\frac{3}{8}$ " or 2 $\frac{3}{4}$ " Adjustable |
| Latch Faceplate | 1" x 2 $\frac{1}{4}$ " RC (Round Corner) |
| Certified ANSI/BHMA | A156.36 Grade 2  |
| Temperature Range | Outside Temperature Range: -30°C to 60°C = -22°F to 140°F Inside Temperature Range: -15°C to 70°C = 5°F to 158°F Battery Temperature Range: -10°C to 55°C = 14°F to 131°F Storage Temperature Range: -40°C to 85°C = -40°F to 185°F |
| Communication Protocol | Weave |

Product Order String for Nest x Yale Lock

Sample: **YRD540-WV-619**

| | |
|-----------------------|---|
| Keypad Style | 540: Nest x Yale Lock RB: Bundled with Nest Connect |
| Network Module | WV: Weave |
| Finish | 619: Satin Nickel 0BP: Oil Rubbed Bronze Permanent 605: Polished Brass |

| DESIGN | NO | PRODUCT LIST PRICE | | | MODULE |
|---|--------------|--------------------|--------|-------------|--------|
| | | US3 605 | 10BP | US15 619 | |
| Nest x Yale Lock Weave | YRD540-WV | 600.00 | 600.00 | 600.00 | WV |
| Nest x Yale Lock Weave; Bundled with Nest Connect | RB-YRD540-WV | 670.00 | 670.00 | 670.00 | WV |

ACCESSORY / REPLACEMENT PART LIST PRICE

| DESCRIPTION | PART NO./LIST NO. | FINISH | LIST PRICE |
|---|-------------------|--------|------------|
| Adjustable Drive-In Latch | AYRDB-DRIVE-26 | US26 | 14.90 |
| Adjustable Radius Corner Latch | AYRDB2-619 | US15 | 14.90 |
| Adjustable Radius Corner Latch | AYRDB-0BP | US10BP | 14.90 |
| Adjustable Radius Corner Latch | AYRDB-605 | US3 | 14.90 |
| I/S & O/S ESCUTCHEONS (2 PIECES) | | | |
| 4 1/4" Wide Plexiglass YRL Mount | AYR-425-MNT | | 120.00 |



Yale Real Living® Assure Lock® SL

NEW!

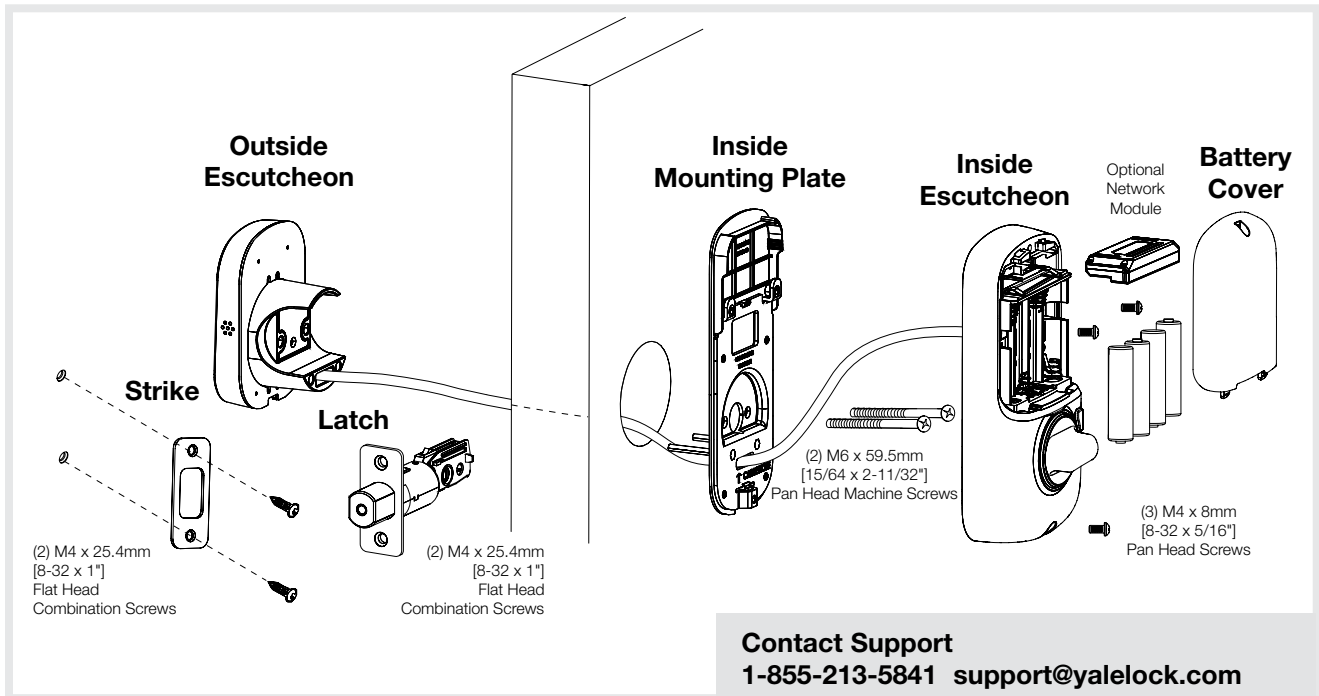
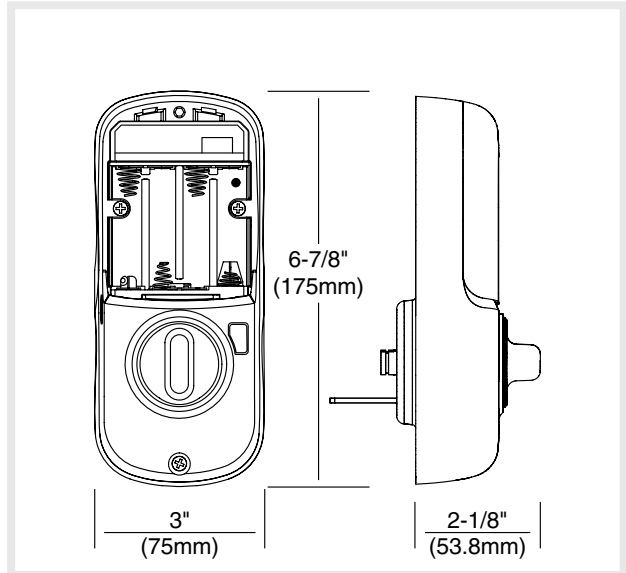
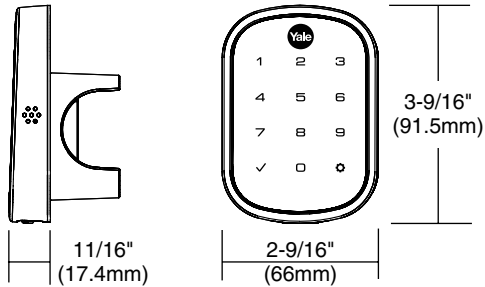
Assure Lock SL Deadbolt
YRD256



The Yale Real Living Assure Lock SL is the sleekest, slimmest electronic door lock on the market. Lock and unlock your home using the touchscreen keypad and a 4-8 digit pin code.

- Create up to 250 unique pin codes to share with friends and family (25 without a Network Module).
- Keypad wakes with a touch and features backlit numbers that won't wear off.
- Key free model features a 9V battery back-up to prevent lockouts.
- Upgrade with a Yale Network Module.
 - Available Network Modules include Z-Wave, Zigbee and iM1 (HomeKit-enabled).
 - Enroll with most home automation and alarm systems with just the push of a button.
 - Lock and unlock remotely, view access history and share access rights from your smartphone.*

*Features may vary based on integration system.



Yale Real Living® Assure Lock® SL





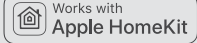
Functions

| NO. | DESCRIPTION |
|--------|--|
| YRD256 | SLIM KEY FREE TOUCHSCREEN DEADBOLT: Latch operated from outside by electronic touchscreen interaction, or inside by T-turn. Use a 9V battery backup on the outside as a override in case the batteries die. |

Standard Case Quantities

| | Box Pack |
|-----------------|----------|
| YRD256 Deadbolt | 6 |

Product Specifications

| | |
|-------------------------------|---|
| Door Specs | 2 1/8" Face Bore, 1" Edge Bore 2 3/8" or 2 3/4" Backset |
| Door Thickness | 1 3/8" door thickness |
| Strike | 1 3/8" to 2 1/4" RC (Round Corner) |
| Latch | 2 3/8" or 2 3/4" Adjustable |
| Latch Faceplate | 1" x 2 1/4" RC (Round Corner) |
| Certified ANSI/BHMA | A156.36 Grade 2  |
| UL/cUL | Listed for 20 minute fire doors  |
| Temperature Range | Outside Temperature Range: -30°C to 60°C = -22°F to 140°F Inside Temperature Range: -15°C to 70°C = 5°F to 158°F Battery Temperature Range: -10°C to 55°C = 14°F to 131°F Storage Temperature Range: -40°C to 85°C = -40°F to 185°F |
| Communication Protocol | Control4 and Crestron require unique network modules.    |

Product Order String for Yale Real Living Assure Lock

| | |
|-------------------------------|--|
| Sample: YRD256-ZW2-619 | |
| Keypad Style | YRD256: Slim Key Free Touchscreen Deadbolt |
| Network Module | NR: No Network Module (Standalone) ZW2: Z-Wave Network Module iM1: iM1 Network Module (HomeKit-enabled) HA2: Zigbee Network Module* *Note: Control4 and Crestron require unique network modules. |
| Finish | 619: Satin Nickel OBP: Oil Rubbed Bronze Permanent 605: Polished Brass |

PRODUCT LIST PRICE

| DESIGN | NO | US3 605 | 10BP | US15 619 | MODULE |
|---|-------------------|---------------|---------------|---------------|--------|
| Key Free Touchscreen Standalone Slim Key Free | YRD256-NR | 399.00 | 399.00 | 399.00 | NR |
| Key Free Touchscreen Z-Wave Slim Key Free | YRD256-ZW2 | 524.00 | 524.00 | 524.00 | ZW2 |
| Key Free Touchscreen Zigbee* Slim Key Free | YRD256-HA2 | 524.00 | 524.00 | 524.00 | HA2 |
| Key Free Touchscreen iM1 Slim Key Free | YRD256-iM1 | 524.00 | 524.00 | 524.00 | iM1 |

*Not Control4 or Crestron compatible.

ACCESSORY / REPLACEMENT PART LIST PRICE**

| DESCRIPTION | PART NO./LIST NO. | FINISH | LIST PRICE |
|--|-------------------|--------|---------------|
| Adjustable Drive-In Latch | AYRDB-DRIVE-26 | US26 | 14.90 |
| Adjustable Radius Corner Latch | AYRDB2-619 | US15 | 14.90 |
| Adjustable Radius Corner Latch | AYRDB-0BP | US10BP | 14.90 |
| Adjustable Radius Corner Latch | AYRDB-605 | US3 | 14.90 |
| 4 1/4" Wide Plexiglass YRL Mount | AYR-425-MNT | | 120.00 |
| Technology Options: Upgrade a standalone lock | | | |
| HA2 Zigbee Network Module | AYR202-ZB-HA | | 125.00 |
| ZW2 Z-Wave Plus Network Module | AYR202-ZWV-USA | | 125.00 |
| iM1 HomeKit Network Module | AYR202-iM1-USA | | 125.00 |

**Item is an upcharge to product list price.



Yale Real Living® Assure Lock®

Assure Lock Push Button Deadbolt
YRD216



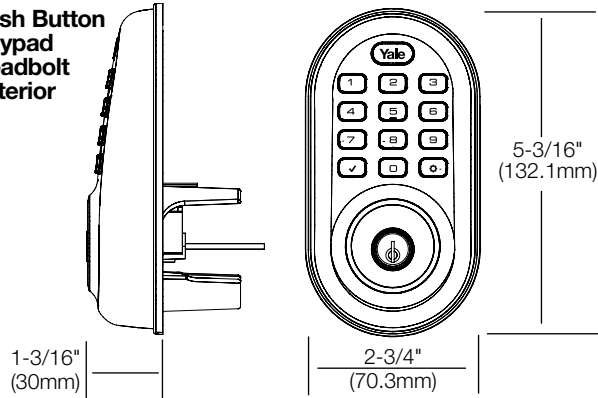
Assure Lock Touchscreen Deadbolt
YRD226



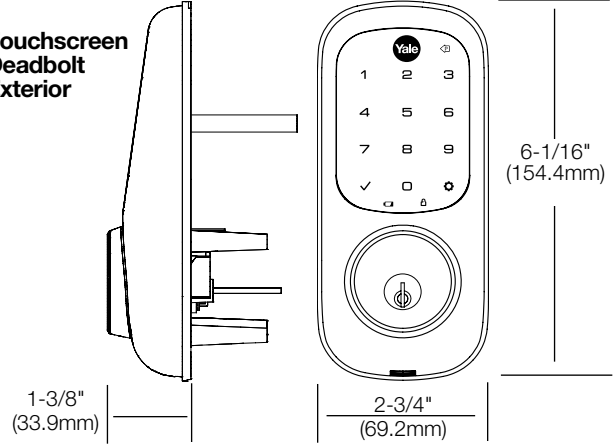
Yale Real Living Assure Lock deadbolts provide versatility and convenience for securing your home. The locks can operate as standalone electronic deadbolts or be upgraded with a Z-Wave, Zigbee or iM1 Network Module to work with your smart home.

- Create up to 250 unique pin codes to share with friends and family (25 without a controller).
- Keypads wake with a touch and feature backlit numbers that won't wear off.
- Key free model features a 9V battery back-up to prevent lockouts.
- Available Network Modules include Z-Wave, Zigbee and iM1 (HomeKit-enabled).
- When upgraded with a Yale Network Module:
 - Enroll with most home automation and alarm systems with just the push of a button.
 - Lock and unlock with Siri® voice commands or from your iPhone, iPad or Apple Watch with the Yale iM1 Network Module.
 - Lock and unlock remotely, view access history and share access rights from your smartphone with most Z-Wave and Zigbee systems.

Push Button Keypad Deadbolt Exterior

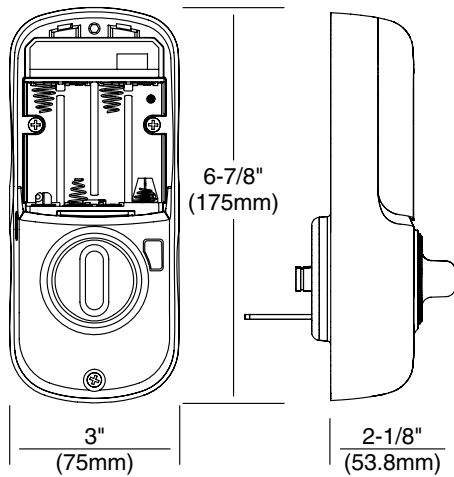


Touchscreen Deadbolt Exterior

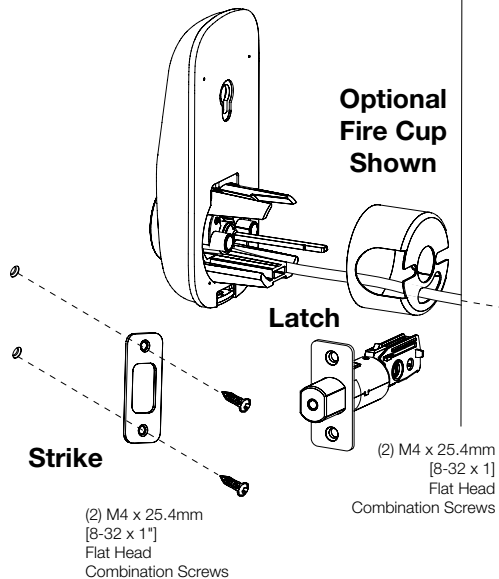


Push Button & Touchscreen Interior

shown with battery cover removed



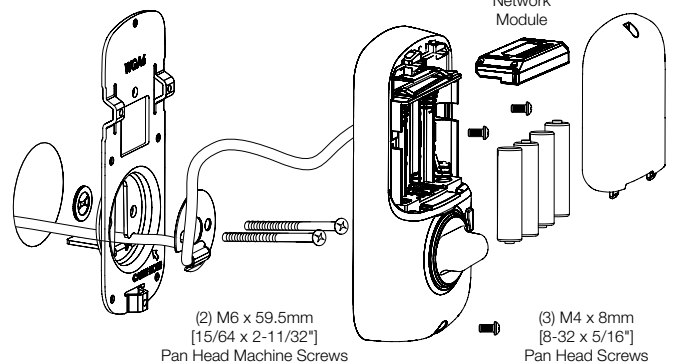
Outside Escutcheon



Inside Mounting Plate

Inside Escutcheon

Battery Cover



Contact Support

1-855-213-5841 support@yalelock.com

Yale Real Living® Assure Lock®





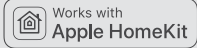
Functions

| NO. | DESCRIPTION |
|--------|--|
| YRD216 | SINGLE CYLINDER PUSH BUTTON DEADBOLT: Latch operated from outside by electronic keypad interaction, or outside by key, inside by T turn. |
| YRD226 | SINGLE CYLINDER TOUCHSCREEN DEADBOLT: Latch operated from outside by electronic touchscreen interaction, or outside by key, inside by T turn. |

Standard Case Quantities

| | Box Pack |
|----------------------|----------|
| Push Button Deadbolt | 6 |
| Touchscreen Deadbolt | 6 |

Product Specifications

| | |
|-------------------------------|---|
| Door Specs | 2 1/8" Face Bore, 1" Edge Bore 2 3/8" or 2 3/4" Backset |
| Door Thickness | 1 3/8"* to 2 1/4" *Yale thin door gasket converts 1 3/8" door to a proper thickness for deadbolt lock installation |
| Strike | 1" x 2 1/4" RC (Round Corner) |
| Latch | 2 3/8" or 2 3/4" Adjustable |
| Latch Faceplate | 1" x 2 1/4" RC (Round Corner) |
| Keyway | Standard: Yale KW-1 5 Pin Brass Cylinder Optional: SC-1, Para 6 pin, SFIC-LC 5 Pin Brass Cylinder |
| Keys* | Quantity: 2 |
| Keying* | Standard: KD (Keyed Different) Optional: KA (Keyed Alike) |
| Certified ANSI/BHMA | A156.36 Grade 2  |
| UL/cUL | Listed for 20 minute fire doors  |
| Temperature Range | Outside Temperature Range: -30°C to 60°C = -22°F to 140°F Inside Temperature Range: -15°C to 70°C = 5°F to 158°F Battery Temperature Range: -10°C to 55°C = 14°F to 131°F Storage Temperature Range: -40°C to 85°C = -40°F to 185°F |
| Communication Protocol |   Control4 and Crestron require unique network modules.  |

Product Order String for Yale Real Living Assure Lock Deadbolts

Sample: YRD226-ZW2-619

| | |
|-----------------------|--|
| Keypad Style | YRD216: Push Button Deadbolt Keypad YRD226: Touchscreen Deadbolt Keypad |
| Network Module | NR: No Network Module (Standalone) ZW2: Z-Wave Network Module iM1: iM1 Network Module (HomeKit enabled) HA2: Zigbee Network Module* *Note: Control4 and Crestron require unique network modules. |
| Finish | 619: Satin Nickel 0BP: Oil Rubbed Bronze Permanent 605: Polished Brass |
| Cylinder | NOTE: ALL PRODUCTS SHIP WITH CYLINDER KWKD KWKD - Kwikset Keyway, multiple locks all keyed differently FOR OPTIONAL CYLINDERS - DESIGNATE AN ALTERNATIVE CYLINDER AS SECOND LINE ITEM KWKA - Kwikset Keyway, multiple locks all keyed alike SCKD - Schlage C keyway, multiple locks all keyed differently SCKA - Schlage C keyway, multiple locks all keyed alike |

| | | PRODUCT LIST PRICE | | | | |
|----------------------|------------|--------------------|------------|--------|-------------|--------|
| DESIGN | | NO | US3 605 | 10BP | US15 619 | MODULE |
| Push Button Deadbolt | Standalone | YRD216 | 299.00 | 299.00 | 299.00 | NR |
| Push Button Deadbolt | Z-Wave | YRD216 | 424.00 | 424.00 | 424.00 | ZW2 |
| Push Button Deadbolt | Zigbee* | YRD216 | 424.00 | 424.00 | 424.00 | HA2 |
| Push Button Deadbolt | iM1 | YRD216 | 424.00 | 424.00 | 424.00 | iM1 |
| Touchscreen Deadbolt | Standalone | YRD226 | 349.00 | 349.00 | 349.00 | NR |
| Touchscreen Deadbolt | Z-Wave | YRD226 | 474.00 | 474.00 | 474.00 | ZW2 |
| Touchscreen Deadbolt | Zigbee* | YRD226 | 474.00 | 474.00 | 474.00 | HA2 |
| Touchscreen Deadbolt | iM1 | YRD226 | 474.00 | 474.00 | 474.00 | iM1 |

*Not Control4 or Crestron compatible.

| CYLINDER / ACCESSORY / REPLACEMENT PART LIST PRICE** | | | |
|---|-------------------|--------|------------|
| DESCRIPTION | PART NO./LIST NO. | FINISH | LIST PRICE |
| Brass SC1-5-Pin & 2 Brass Keys, Tailpiece, High Stack, Deadbolt, KD, 26 | AYRD200-SCKD-26 | US26 | 14.10 |
| Brass SC1-5-Pin & 2 Brass Keys, Tailpiece, High Stack, Deadbolt, KD, 03 | AYRD200-SCKD-03 | US3 | 14.10 |
| Brass SC1-5-Pin & 2 Brass Keys, Tailpiece, High Stack, Deadbolt, KA, 26 | AYRD200-SCKA-26 | US26 | 14.10 |
| Brass SC1-5-Pin & 2 Brass Keys, Tailpiece, High Stack, Deadbolt, KA, 03 | AYRD200-SCKA-03 | US3 | 14.10 |
| Brass KW1-5-Pin & 2 Brass Keys, Tailpiece, High Stack, Deadbolt, KD, 26 | AYRD200-KWKD-26 | US26 | 14.10 |
| Brass KW1-5-Pin & 2 Brass Keys, Tailpiece, High Stack, Deadbolt, KD, 03 | AYRD200-KWKD-03 | US3 | 14.10 |
| Brass KW1-5-Pin & 2 Brass Keys, Tailpiece, High Stack, Deadbolt, KA, 26 | AYRD200-KWKA-26 | US26 | 14.10 |
| Brass KW1-5-Pin & 2 Brass Keys, Tailpiece, High Stack, Deadbolt, KA, 03 | AYRD200-KWKA-03 | US3 | 14.10 |
| Adjustable Drive-In Latch | AYRDB-DRIVE-26 | US26 | 14.90 |
| Adjustable Radius Corner Latch | AYRDB2-619 | US15 | 14.90 |
| Adjustable Radius Corner Latch | AYRDB-0BP | US10BP | 14.90 |
| Adjustable Radius Corner Latch | AYRDB-605 | US3 | 14.90 |
| Thin Door Gasket Touchscreen I/S & O/S ESCUTCHEONS (2 PIECES) | AYRDT226-TS-GSK | Black | 3.50 |
| Thin Door Gasket Push Button I/S & O/S ESCUTCHEONS (2 PIECES) | AYRDT210-PB-GSK | Black | 3.50 |
| Touchscreen SFIC Cylinder Housing | AYRD220-1-605 | US3 | 26.00 |
| Touchscreen SFIC Cylinder Housing | AYRD220-1-0BP | US10BP | 26.00 |
| Touchscreen SFIC Cylinder Housing | AYRD220-1-619 | US15 | 26.00 |
| 4 1/4" Wide Plexiglass YRL Mount | AYR-425-MNT | | 120.00 |
| Deadbolt Para Cylinder, KD | AYRD200-PAKD-26 | US26 | 26.00 |
| Deadbolt Para Cylinder, KA | AYRD200-PAKA-26 | US26 | 26.00 |
| Deadbolt Para Cylinder, KD | AYRD200-PAKD-03 | US3 | 26.00 |
| Deadbolt Para Cylinder, KA | AYRD200-PAKA-03 | US3 | 26.00 |
| Technology Options: Upgrade a standalone lock | | | |
| HA2 Zigbee Network Module | AYR202-ZB-HA | | 125.00 |
| ZW2 Z-Wave Plus Network Module | AYR202-ZWV-USA | | 125.00 |
| iM1 HomeKit Network Module | AYR202-iM1-USA | | 125.00 |



NOTE: The SFIC housing option is shipped less core. Small Format Interchangeable Cores can be ordered from the Yale Commercial Catalog. Yale Real Living cylinders are not Builder Key compatible.

**Item is an upcharge to packaged list pricing

Yale Real Living® Assure Lock® with Bluetooth®

Assure Lock Push Button with Bluetooth
YRD416



Assure Lock Touchscreen with Bluetooth
YRD426



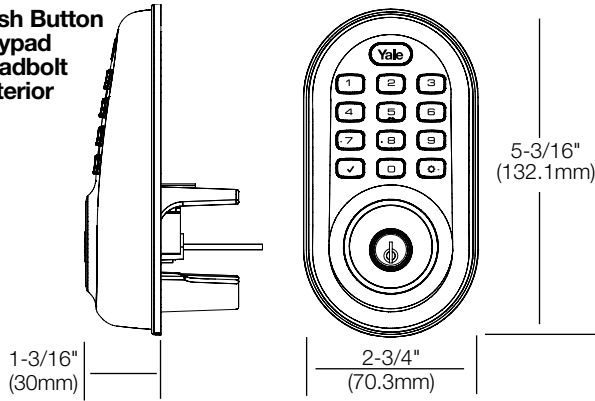
Use your phone to unlock your home and manage who has access, with the free app.



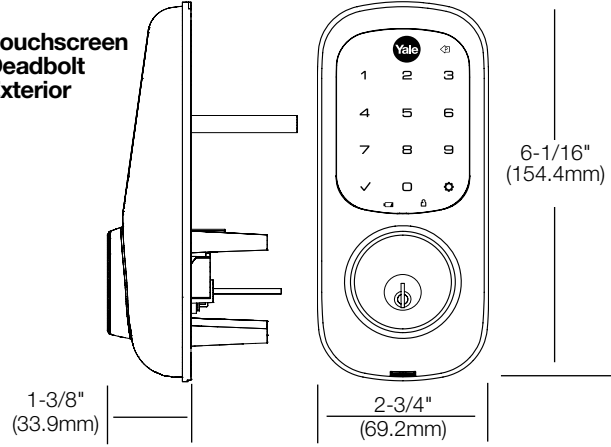
Lose Your Keys. For Good.® Lock and unlock your home without the hassle of keys by rotating your smartphone and tapping the keypad, or with your 4-8 digit pin code. Forget lending keys; share digital keys with friends and family using the free Yale Assure app on your iOS, Android or Samsung Gear Smartwatch.

- View access history and battery levels, receive notifications, create pin codes and more all from your smartphone.
- Replaces your existing deadbolt in minutes with just a screwdriver and connects to the app in a few easy steps.
- Can be upgraded with a Yale Z-Wave or Zigbee Network Module to integrate into most home automation and security systems.
- Lock and unlock remotely, view access history and share access rights from your smartphone with most Z-Wave and Zigbee systems.

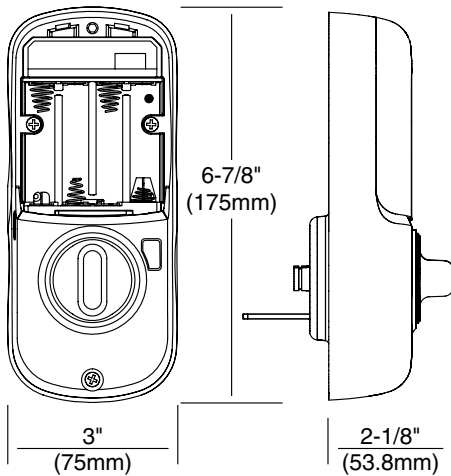
**Push Button
Keypad
Deadbolt
Exterior**



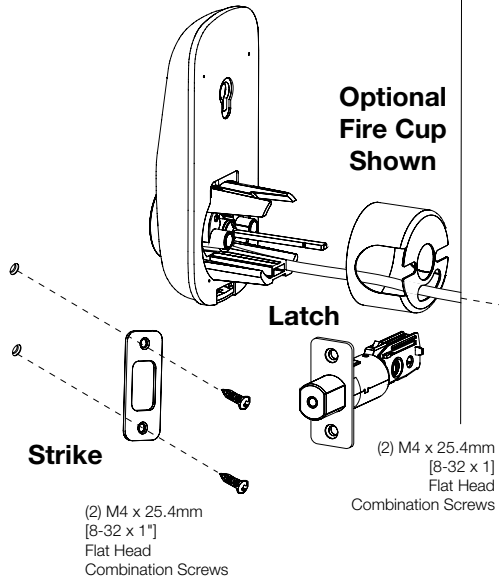
**Touchscreen
Deadbolt
Exterior**



Push Button & Touchscreen Interior
shown with battery cover removed



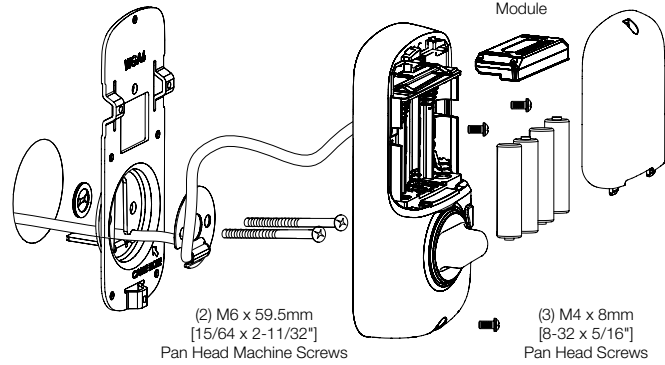
**Outside
Escutcheon**



**Inside
Mounting Plate**

**Inside
Escutcheon**

**Battery
Cover**



Contact Support
1-855-213-5841 support@yalelock.com

Yale Real Living® Assure Lock® with Bluetooth®






Functions

| NO. | DESCRIPTION |
|---------------|---|
| YRD416 | SINGLE CYLINDER PUSH BUTTON DEADBOLT: Latch operated from outside by electronic keypad interaction, or outside by key, inside by T-turn. |
| YRD426 | SINGLE CYLINDER TOUCHSCREEN DEADBOLT: Latch operated from outside by electronic touchscreen interaction, or outside by key, inside by T-turn. |

Standard Case Quantities

| | Box Pack |
|----------------------|----------|
| Push Button Deadbolt | 6 |
| Touchscreen Deadbolt | 6 |

Product Specifications

| | |
|-------------------------------|--|
| Door Specs | 2 1/8" Face Bore, 1" Edge Bore 2 3/8" or 2 3/4" Backset |
| Door Thickness | 1 3/8"* to 2 1/4" *Yale thin door gasket converts 1 3/8" door to a proper thickness for deadbolt lock installation |
| Strike | 1" x 2 1/4" RC (Round Corner) |
| Latch | 2 3/8" or 2 3/4" Adjustable |
| Latch Faceplate | 1" x 2 1/4" RC (Round Corner) |
| Keyway | Standard: Yale KW-1 5 Pin Brass Cylinder Optional: SC-1, Para 6 pin, SFIC-LC 5 Pin Brass Cylinder |
| Keys* | Quantity: 2 |
| Keying* | Standard: KD (Keyed Different) Optional: KA (Keyed Alike) |
| Certified ANSI/BHMA | A156.36 Grade 2  |
| UL/cUL | Listed for 20 minute fire doors  |
| Temperature Range | Outside Temperature Range: -30°C to 60°C = -22°F to 140°F Inside Temperature Range: -15°C to 70°C = 5°F to 158°F Battery Temperature Range: -10°C to 55°C = 14°F to 131°F Storage Temperature Range: -40°C to 85°C = -40°F to 185°F |
| Communication Protocol | Control4 and Crestron require unique network modules. |
| |    |

Product Order String for Yale Real Living Assure Lock with Bluetooth

Sample: **YRD426-ZW2-619**

| | |
|-----------------------|---|
| Keypad Style | YRD416: Keyed Push Button with Bluetooth YRD426: Keyed Touchscreen with Bluetooth |
| Network Module | NR: Bluetooth Only ZW2: Bluetooth and Z-Wave Network Module HA2: Bluetooth and Zigbee Network Module |
| Finish | 619: Satin Nickel 0BP: Oil Rubbed Bronze Permanent 605: Polished Brass |

PRODUCT LIST PRICE

| DESIGN | | NO | US3 605 | 10BP | US15 619 | MODULE |
|----------------------------|------------|--------|------------|--------|-------------|--------|
| Push Button with Bluetooth | Standalone | YRD416 | 349.00 | 349.00 | 349.00 | NR |
| Push Button with Bluetooth | Z-Wave | YRD416 | 474.00 | 474.00 | 474.00 | ZW2 |
| Push Button with Bluetooth | Zigbee | YRD416 | 474.00 | 474.00 | 474.00 | HA2 |
| Touchscreen with Bluetooth | Standalone | YRD426 | 399.00 | 399.00 | 399.00 | NR |
| Touchscreen with Bluetooth | Z-Wave | YRD426 | 524.00 | 524.00 | 524.00 | ZW2 |
| Touchscreen with Bluetooth | Zigbee | YRD426 | 524.00 | 524.00 | 524.00 | HA2 |

CYLINDER / ACCESSORY / REPLACEMENT PART LIST PRICE**

| DESCRIPTION | PART NO./LIST NO. | FINISH | LIST PRICE |
|---|-------------------|--------|------------|
| Brass SC1-5-Pin & 2 Brass Keys, Tailpiece, High Stack, Deadbolt, KD, 26 | AYRD200-SCKD-26 | US26 | 14.10 |
| Brass SC1-5-Pin & 2 Brass Keys, Tailpiece, High Stack, Deadbolt, KD, 03 | AYRD200-SCKD-03 | US3 | 14.10 |
| Brass SC1-5-Pin & 2 Brass Keys, Tailpiece, High Stack, Deadbolt, KA, 26 | AYRD200-SCKA-26 | US26 | 14.10 |
| Brass SC1-5-Pin & 2 Brass Keys, Tailpiece, High Stack, Deadbolt, KA, 03 | AYRD200-SCKA-03 | US3 | 14.10 |
| Brass KW1-5-Pin & 2 Brass Keys, Tailpiece, High Stack, Deadbolt, KD, 26 | AYRD200-KWKD-26 | US26 | 14.10 |
| Brass KW1-5-Pin & 2 Brass Keys, Tailpiece, High Stack, Deadbolt, KD, 03 | AYRD200-KWKD-03 | US3 | 14.10 |
| Brass KW1-5-Pin & 2 Brass Keys, Tailpiece, High Stack, Deadbolt, KA, 26 | AYRD200-KWKA-26 | US26 | 14.10 |
| Brass KW1-5-Pin & 2 Brass Keys, Tailpiece, High Stack, Deadbolt, KA, 03 | AYRD200-KWKA-03 | US3 | 14.10 |
| Adjustable Drive-In Latch | AYRDB-DRIVE-26 | US26 | 14.90 |
| Adjustable Radius Corner Latch | AYRDB2-619 | US15 | 14.90 |
| Adjustable Radius Corner Latch | AYRDB-0BP | US10BP | 14.90 |
| Adjustable Radius Corner Latch | AYRDB-605 | US3 | 14.90 |
| Thin Door Gasket Touchscreen I/S & O/S ESCUTCHEONS (2 PIECES) | AYRDT226-TS-GSK | Black | 3.50 |
| Thin Door Gasket Push Button I/S & O/S ESCUTCHEONS (2 PIECES) | AYRDT210-PB-GSK | Black | 3.50 |
| Touchscreen SFIC Cylinder Housing | AYRD220-1-605 | US3 | 26.00 |
| Touchscreen SFIC Cylinder Housing | AYRD220-1-0BP | US10BP | 26.00 |
| Touchscreen SFIC Cylinder Housing | AYRD220-1-619 | US15 | 26.00 |
| 4 1/4" Wide Plexiglass YRL Mount | AYR-425-MNT | | 120.00 |
| Deadbolt Para Cylinder, KD | AYRD200-PAKD-26 | US26 | 26.00 |
| Deadbolt Para Cylinder, KA | AYRD200-PAKA-26 | US26 | 26.00 |
| Deadbolt Para Cylinder, KD | AYRD200-PAKD-03 | US3 | 26.00 |
| Deadbolt Para Cylinder, KA | AYRD200-PAKA-03 | US3 | 26.00 |
| Technology Options: Upgrade a standalone lock | | | |
| HA2 Zigbee Network Module | AYR202-ZB-HA | | 125.00 |
| ZW2 Z-Wave Plus Network Module | AYR202-ZWV-USA | | 125.00 |



NOTE: The SFIC housing option is shipped less core. Small Format Interchangeable Cores can be ordered from the Yale Commercial Catalog. Yale Real Living cylinders are not Builder Key compatible.

**Item is an upgrade to product list price.

Yale Real Living® Assure Lever™

COMING SOON

Push Button Lever Lock
YRL216



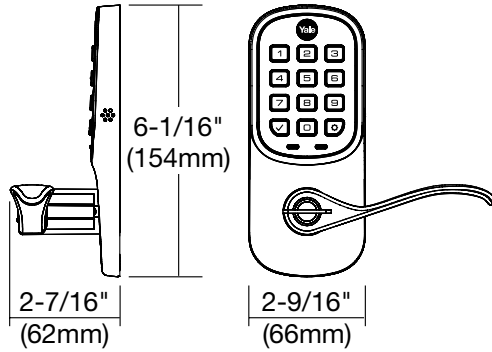
Touchscreen Lever Lock
YRL226



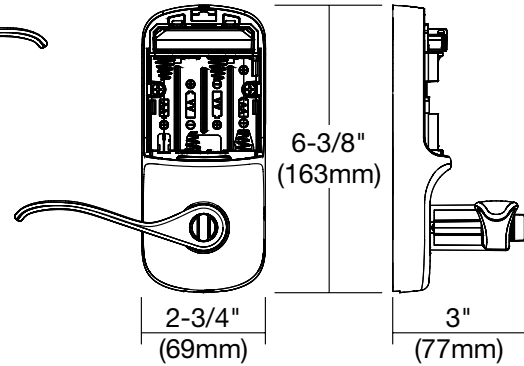
Introducing the new Assure Levers, the sleekest and most convenient electronic lever locks on the market. Available in standalone or with a Yale Network Module for seamless integration into your smart home or security system.

- Available in standalone, Z-Wave or Zigbee or with an iM1 Network Module (HomeKit-enabled).
- Backlit touchscreen and push button keypads make day-to-day access, effortless.
- Simple installation requires only a screwdriver.
- Keypads wake with a touch and feature backlit numbers that won't wear off.
- Features a 9V battery back-up to prevent lockouts.

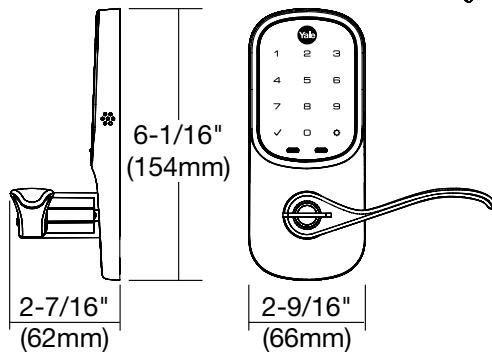
**Push Button
Assure Lever
Exterior**



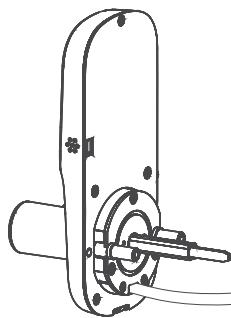
**Push Button & Touchscreen
Lever Interior**
shown with battery cover removed



**Touchscreen
Assure Lever
Exterior**

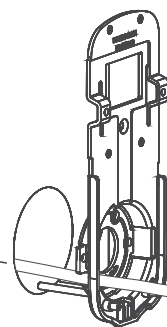


Outside Escutcheon



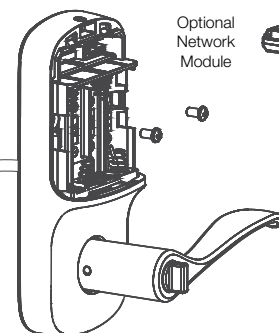
(2) M4 x 25.4mm
[8-32 x 1"]
Flat Head
Combination Screws

Inside Mounting Plate



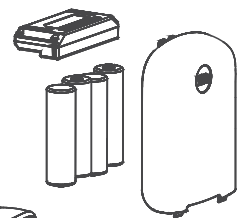
(2) M4 x 25mm
Pan Head Machine Screws

**Inside
Escutcheon**



(3) M4 x 8mm
[8-32 x 5/16"]
Pan Head Screws

Battery Cover



Optional
Network
Module

Contact Support

1-855-213-5841 support@yalelock.com

Yale Real Living® Assure Lever™

COMING SOON


Functions

| NO. | DESCRIPTION |
|--------|---|
| YRL216 | SINGLE CYLINDER PUSH BUTTON LEVER LOCK: Lever operated from outside by electronic keypad interaction, or outside by key, inside by lever. |
| YRL226 | SINGLE CYLINDER TOUCHSCREEN LEVER LOCK: Lever operated from outside by electronic touchscreen interaction, or outside by key, inside by lever. |

Standard Case Quantities

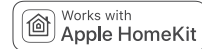
| | Box Pack |
|------------------------|----------|
| Push Button Lever Lock | 6 |
| Touchscreen Lever Lock | 6 |

Product Specifications

| | |
|----------------------------|--|
| Door Specs | 2 1/8" Face Bore, 1" Edge Bore 2 3/8" or 2 3/4" Backset |
| Door Thickness | 1 3/8" to 1 3/4" |
| Strike | 1 1/8" x 2 3/4" RC (Round Corner) |
| Latch | 2 3/8" or 2 3/4" Adjustable |
| Latch Faceplate | 1" x 2 1/4" RC (Round Corner) |
| Keyway | Standard: Yale KW-1 5 Pin Brass Cylinder Optional: SC-1 5 Pin Brass Cylinder |
| Keys | Quantity: 2 |
| Keying | Standard: KD (Keyed Different) Optional: KA (Keyed Alike) |
| Certified ANSI/BHMA | A156.36 Grade 2  |
| Temperature Range | Outside Temperature Range: -30°C to 60°C = -22°F to 140°F Inside Temperature Range: -15°C to 70°C = 5°F to 158°F Battery Temperature Range: -10°C to 55°C = 14°F to 131°F Storage Temperature Range: -40°C to 85°C = -40°F to 185°F |

Communication Protocol

Control4 and Crestron require unique network modules.



PRODUCT LIST PRICE

| DESIGN | NO | US3 605 | 10BP | US15 619 | MODULE |
|--------------------------------------|--------|------------|--------|-------------|--------|
| Push Button Lever Lock Standalone | YRL216 | 349.00 | 349.00 | 349.00 | NR |
| Push Button Lever Lock Z-Wave | YRL216 | 474.00 | 474.00 | 474.00 | ZW2 |
| Push Button Lever Lock Zigbee* | YRL216 | 474.00 | 474.00 | 474.00 | HA2 |
| Push Button Lever Lock iM1 | YRL216 | 474.00 | 474.00 | 474.00 | iM1 |
| Touchscreen Lever Lock Standalone | YRL226 | 399.00 | 399.00 | 399.00 | NR |
| Touchscreen Lever Lock Z-Wave | YRL226 | 524.00 | 524.00 | 524.00 | ZW2 |
| Touchscreen Lever Lock Zigbee* | YRL226 | 524.00 | 524.00 | 524.00 | HA2 |
| Touchscreen Lever Lock iM1 | YRL226 | 474.00 | 474.00 | 474.00 | iM1 |

*HA1.2 not Control4® or Crestron® compatible

PRODUCT LIST PRICE**

| DESIGN | NO | US3 | 10BP | US15 |
|----------------------------------|---------|-------|-------|-------|
| Academy | YR05D87 | 36.00 | 36.00 | 36.00 |
| Marina | YR05D84 | 36.00 | 36.00 | 36.00 |
| McClure | YR05D85 | 36.00 | 36.00 | 36.00 |
| Milan | YR05D83 | 36.00 | 36.00 | 36.00 |
| Norwood (standard) Lever Pair | YR05D88 | 36.00 | 36.00 | 36.00 |
| Pacific Beach | YR05D82 | 36.00 | 36.00 | 36.00 |

++Ships Norwood standard. All other styles are an upcharge addition.

Customize your lever lock with one of these lever styles in Polished Brass, Oil Rubbed Bronze Permanent, or Satin Nickel

ACADEMY



MARINA



MCCLURE



MILAN



NORWOOD
(Standard)



PACIFIC BEACH



CYLINDER / ACCESSORY / REPLACEMENT PART LIST PRICE**

| DESCRIPTION | PART NO./LIST NO. | FINISH | LIST PRICE |
|--|-------------------|--------|------------|
| Brass SC1-5-Pin & 2 Brass Keys, Tailpiece, High Stack, Entry, KD, 26 | AYRL200-SCKD-26 | US26 | 14.10 |
| Brass SC1-5-Pin & 2 Brass Keys, Tailpiece, High Stack, Entry, KD, 03 | AYRL200-SCKD-03 | US3 | 14.10 |
| Brass SC1-5-Pin & 2 Brass Keys, Tailpiece, High Stack, Entry, KA, 26 | AYRL200-SCKA-26 | US26 | 14.10 |
| Brass SC1-5-Pin & 2 Brass Keys, Tailpiece, High Stack, Entry, KA, 03 | AYRL200-SCKA-03 | US3 | 14.10 |
| Brass KW1-5-Pin & 2 Brass Keys, Tailpiece, High Stack, Entry, KD, 26 | AYRL200-KWKD-26 | US26 | 14.10 |
| Brass KW1-5-Pin & 2 Brass Keys, Tailpiece, High Stack, Entry, KD, 03 | AYRL200-KWKD-03 | US3 | 14.10 |
| Brass KW1-5-Pin & 2 Brass Keys, Tailpiece, High Stack, Entry, KA, 26 | AYRL200-KWKA-26 | US26 | 14.10 |
| Brass KW1-5-Pin & 2 Brass Keys, Tailpiece, High Stack, Entry, KA, 03 | AYRL200-KWKA-03 | US3 | 14.10 |
| Adjustable Drive-In Latch | AYRL-DRIVE-26 | US26 | 14.90 |
| Adjustable Radius Corner Latch | AYRL-LATCH-15 | US15 | 14.90 |
| Adjustable Radius Corner Latch | AYRL-LATCH-10B | US10BP | 14.90 |
| Adjustable Radius Corner Latch | AYRL-LATCH-03 | US3 | 14.90 |
| 4 1/4" Wide Plexiglass YRL Mount | AYR-425-MNT | | 120.00 |
| Technology Options: Upgrade a standalone lock | | | |
| HA2 Zigbee Network Module | AYR202-ZB-HA | | 125.00 |
| ZW2 Z-Wave Plus Network Module | AYR202-ZWV-USA | | 125.00 |
| iM1 HomeKit Network Module | AYR202-iM1-USA | | 125.00 |



NOTE: The SFIC (Small Format Interchangeable Core) is not available. Yale Real Living cylinders are not Builder Key compatible.

++ Upcharge option.

Yale Real Living® Keyless Entry Lever Locks

Push Button Lever Lock
YRL210



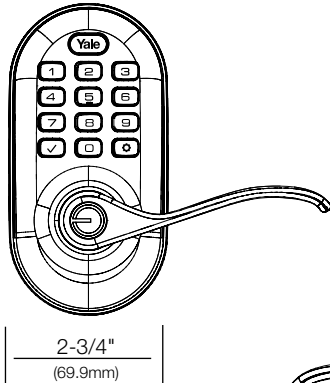
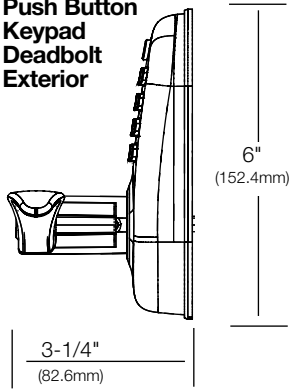
Touchscreen Lever Lock
YRL220



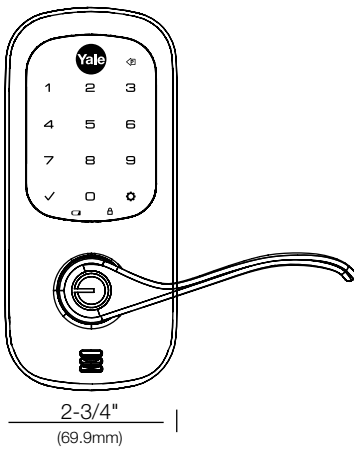
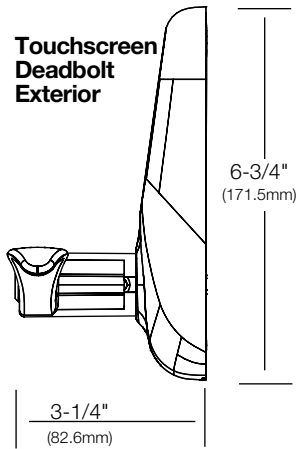
Yale Real Living Keyless Entry Lever Locks, the next generation of electronic residential locks from Yale, provide versatility and convenient access:

- Standalone OR
- Z-Wave or Zigbee enabled, as part of a home control or home security system
- Backlit touchscreen and push button keypads make day-to-day access, effortless.

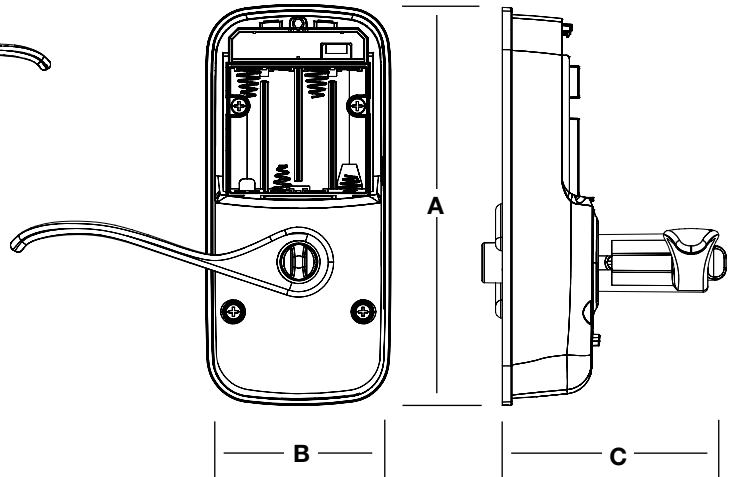
**Push Button
Keypad
Deadbolt
Exterior**



**Touchscreen
Deadbolt
Exterior**



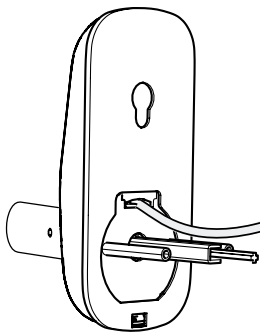
**Push Button &
Touchscreen Lever
Lock Interior**
shown with battery
cover removed



Push Button & Touchscreen Lever Lock Interior

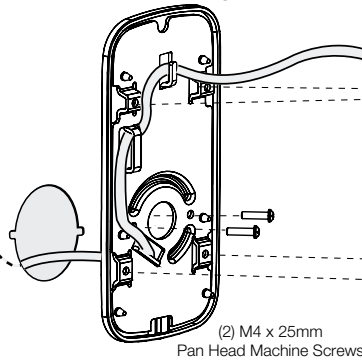
| DIMENSIONS | A | B | C |
|--------------------|------------------|-----------------|-----------------|
| Push Button | 6 1/4" (171.5mm) | 3 1/8" (79.4mm) | 4" (101.6mm) |
| Touchscreen | 6 3/4" (171.5mm) | 3 1/8" (79.4mm) | 3 3/4" (95.3mm) |

**Outside
Escutcheon**



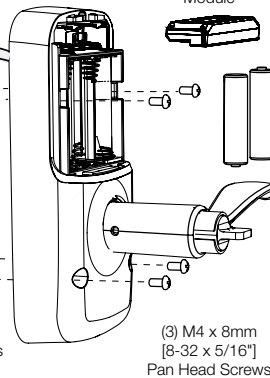
(2) M4 x 25.4mm
[8-32 x 1"]
Flat Head
Combination Screws

Inside Mounting Plate



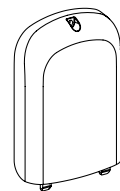
(2) M4 x 25.4mm
[8-32 x 1"]
Flat Head
Combination Screws

**Inside
Escutcheon**



Optional
Network
Module

Battery Cover



Contact Support
1-855-213-5841 support@yalelock.com

Yale Real Living® Keyless Entry Lever Locks


Functions

| NO. | DESCRIPTION |
|---------------|--|
| YRL210 | SINGLE CYLINDER PUSH BUTTON LEVER LOCK: Lever operated from outside by electronic keypad interaction, or outside by key, inside by lever. |
| YRL220 | SINGLE CYLINDER TOUCHSCREEN LEVER LOCK: Lever operated from outside by electronic touchscreen interaction, or outside by key, inside by lever. |

Standard Case Quantities

| | Box Pack |
|-------------------------------|----------|
| Push Button Lever Lock | 6 |
| Touchscreen Lever Lock | 6 |

Product Specifications

| | |
|----------------------------|--|
| Door Specs | 2 1/8" Face Bore, 1" Edge Bore 2 3/8" or 2 3/4" Backset |
| Door Thickness | 1 3/8" to 1 3/4" |
| Strike | 1 1/8" x 2 3/4" RC (Round Corner) |
| Latch | 2 3/8" or 2 3/4" Adjustable |
| Latch Faceplate | 1" x 2 1/4" RC (Round Corner) |
| Keyway | Standard: Yale KW-1 5 Pin Brass Cylinder Optional: SC-1 5 Pin Brass Cylinder |
| Keys | Quantity: 2 |
| Keying | Standard: KD (Keyed Different) Optional: KA (Keyed Alike) |
| Certified ANSI/BHMA | A156.36 Grade 2  |
| Temperature Range | Outside Temperature Range: -30°C to 60°C = -22°F to 140°F Inside Temperature Range: -15°C to 70°C = 5°F to 158°F Battery Temperature Range: -10°C to 55°C = 14°F to 131°F Storage Temperature Range: -40°C to 85°C = -40°F to 185°F |

Communication Protocol

Control4 and Crestron require unique network modules.



PRODUCT LIST PRICE

| DESIGN | NO | US3 605 | 10BP | US15 619 | MODULE |
|---|---------------|---------------|---------------|---------------|-----------|
| Push Button Lever Lock Standalone | YRL210 | 330.00 | 330.00 | 330.00 | NR |
| Push Button Lever Lock Z-Wave | YRL210 | 420.00 | 420.00 | 420.00 | ZW |
| Push Button Lever Lock Zigbee* | YRL210 | 420.00 | 420.00 | 420.00 | HA |
| Touchscreen Lever Lock Standalone | YRL220 | 375.00 | 375.00 | 375.00 | NR |
| Touchscreen Lever Lock Z-Wave | YRL220 | 465.00 | 465.00 | 465.00 | ZW |
| Touchscreen Lever Lock Zigbee* | YRL220 | 465.00 | 465.00 | 465.00 | HA |

*HA1.2 not Control4® or Crestron® compatible

PRODUCT LIST PRICE**

| DESIGN | NO | US3 | 10BP | US15 |
|----------------------------------|---------|-------|-------|-------|
| Academy | YR05D87 | 36.00 | 36.00 | 36.00 |
| Marina | YR05D84 | 36.00 | 36.00 | 36.00 |
| McClure | YR05D85 | 36.00 | 36.00 | 36.00 |
| Milan | YR05D83 | 36.00 | 36.00 | 36.00 |
| Norwood (standard) Lever Pair | YR05D88 | 36.00 | 36.00 | 36.00 |
| Pacific Beach | YR05D82 | 36.00 | 36.00 | 36.00 |

++Ships Norwood standard. Other styles upcharge option.

Customize your lever lock with one of these lever styles in Polished Brass, Oil Rubbed Bronze Permanent, or Satin Nickel

ACADEMY



MARINA



MCCLURE



MILAN



NORWOOD
(Standard)



PACIFIC BEACH



CYLINDER / ACCESSORY / REPLACEMENT PART LIST PRICE**

| DESCRIPTION | PART NO./LIST NO. | FINISH | LIST PRICE |
|---|-------------------|--------|------------|
| Brass SC1-5-Pin & 2 Brass Keys, Tailpiece, High Stack, Entry, KD, 26 | AYRL200-SCKD-26 | US26 | 14.10 |
| Brass SC1-5-Pin & 2 Brass Keys, Tailpiece, High Stack, Entry, KD, 03 | AYRL200-SCKD-03 | US3 | 14.10 |
| Brass SC1-5-Pin & 2 Brass Keys, Tailpiece, High Stack, Entry, KA, 26 | AYRL200-SCKA-26 | US26 | 14.10 |
| Brass SC1-5-Pin & 2 Brass Keys, Tailpiece, High Stack, Entry, KA, 03 | AYRL200-SCKA-03 | US3 | 14.10 |
| Brass KW1-5-Pin & 2 Brass Keys, Tailpiece, High Stack, Entry, KD, 26 | AYRL200-KWKD-26 | US26 | 14.10 |
| Brass KW1-5-Pin & 2 Brass Keys, Tailpiece, High Stack, Entry, KD, 03 | AYRL200-KWKD-03 | US3 | 14.10 |
| Brass KW1-5-Pin & 2 Brass Keys, Tailpiece, High Stack, Entry, KA, 26 | AYRL200-KWKA-26 | US26 | 14.10 |
| Brass KW1-5-Pin & 2 Brass Keys, Tailpiece, High Stack, Entry, KA, 03 | AYRL200-KWKA-03 | US3 | 14.10 |
| Adjustable Drive-In Latch | AYRL-DRIVE-26 | US26 | 14.90 |
| Adjustable Radius Corner Latch | AYRL-LATCH-15 | US15 | 14.90 |
| Adjustable Radius Corner Latch | AYRL-LATCH-10B | US10BP | 14.90 |
| Adjustable Radius Corner Latch | AYRL-LATCH-03 | US3 | 14.90 |
| 4 1/4" Wide Plexiglass YRL Mount | AYR-425-MNT | | 120.00 |
| Technology Options: Upgrade a standalone lock | | | |
| HA2 Zigbee Network Module | AYR202-ZB-HA | | 125.00 |
| ZW2 Z-Wave Plus Network Module | AYR202-ZWV-USA | | 125.00 |

NOTE: Note: The SFIC (Small Format Interchangeable Core) is not available. Yale Real Living cylinders are not Builder Key compatible.

++ Upcharge option.



Yale Real Living® Key Free Entry Deadbolts

B1L Lock Push Button Deadbolt
YRD110



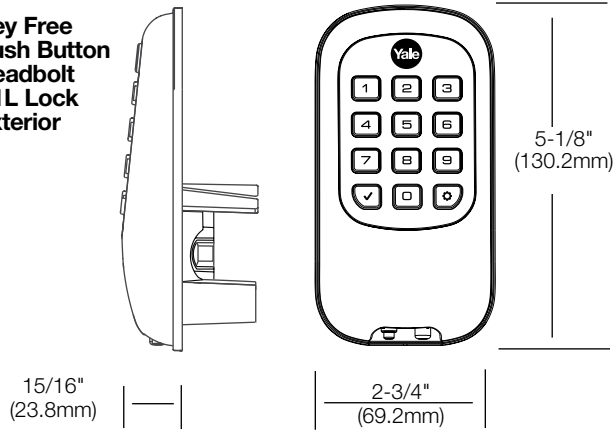
T1L Lock Touchscreen Deadbolt
YRD120



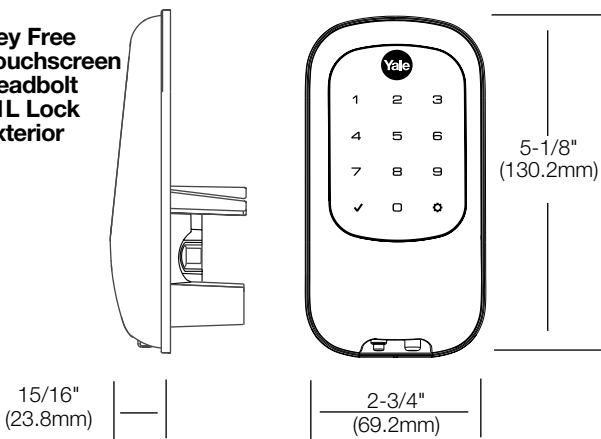
The key free B1L Lock and T1L Lock add critical product options to a growing customer demand for enhanced security with a sleek aesthetic and uncomplicated operation:

- Z-Wave enabled, as part of a home control or home security system.
- Available as standalone.
- Backlit touchscreen and push button keypads make day-to-day access, effortless.

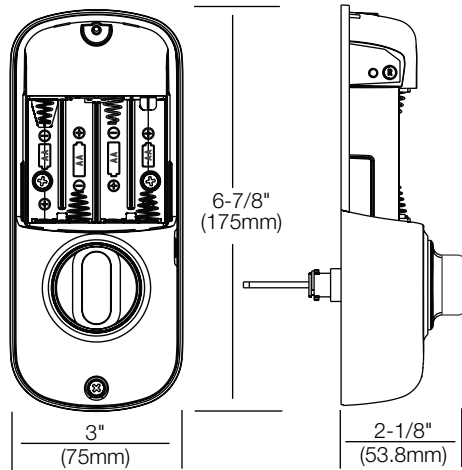
**Key Free
Push Button
Deadbolt
B1L Lock
Exterior**



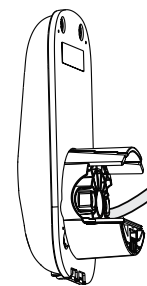
**Key Free
Touchscreen
Deadbolt
T1L Lock
Exterior**



B1L and T1L Lock Interior
shown with battery cover removed

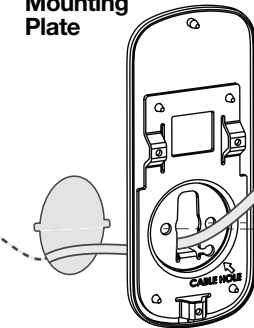


**Outside
Escutcheon**



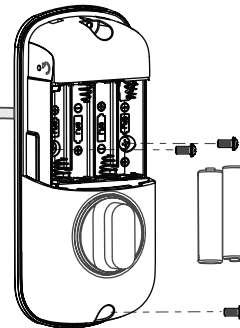
Strike

**Interior
Mounting
Plate**

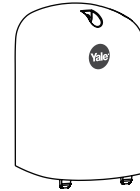


Latch

Inside Escutcheon



Battery Cover



Contact Support
1-855-213-5841 support@yalelock.com

Yale Real Living® Key Free Entry Deadbolts



Functions

| NO. | DESCRIPTION |
|--------|---|
| YRD110 | B1L LOCK PUSH BUTTON DEADBOLT: Latch operated from outside by electronic push button interaction, or inside by T-turn. Use a 9V battery backup on the outside as a override in case the batteries die. |
| YRD120 | T1L LOCK TOUCHSCREEN DEADBOLT: Latch operated from outside by electronic touchscreen interaction, or inside by T-turn. Use a 9V battery backup on the outside as a override in case the batteries die. |

Standard Case Quantities

| | Box Pack |
|---------------|----------|
| B1L/T1L Locks | 6 |

Product Specifications

| | |
|-------------------------------|--|
| Door Specs | 2 1/8" Face Bore, 1" Edge Bore 2 3/8" or 2 3/4" Backset |
| Door Thickness | 1 3/8"* to 2 1/4" |
| Strike | 1" x 2 1/4" RC (Round Corner) |
| Latch | 2 3/8" or 2 3/4" Adjustable |
| Latch Faceplate | 1" x 2 1/4" RC (Round Corner) |
| Keyway | Standard: Yale KW-1 5 Pin Brass Cylinder |
| Certified ANSI/BHMA | A156.36 Grade 2  |
| Temperature Range | Outside Temperature Range: -30°C to 60°C = -22°F to 140°F Inside Temperature Range: -15°C to 70°C = 5°F to 158°F Battery Temperature Range: -10°C to 55°C = 14°F to 131°F Storage Temperature Range: -40°C to 85°C = -40°F to 185°F |
| Communication Protocol |  Z-Wave Network Module Standard |

Product Order String for Yale Real Living B1L/T1L Locks

Sample: **YRD120-ZW-619**

| | |
|-----------------------|--|
| Keypad Style | YRD110: Key Free Push Button Deadbolt Keypad YRD120: Key Free Touchscreen Deadbolt Keypad |
| Network Module | NR: No Network Module (Standalone) ZW: Z-Wave Network Module |
| Finish | 619: Satin Nickel 0BP: Oil Rubbed Bronze Permanent 605: Polished Brass |

PRODUCT LIST PRICE

| DESIGN | NO | US3 605 | 10BP | US15 619 | MODULE |
|--|---------------|--------------------|---------------|---------------------|---------------|
| B1L Lock Push Button Deadbolt Standalone | YRD110 | 249.00 | 249.00 | 249.00 | NR |
| B1L Lock Push Button Deadbolt Z-Wave | YRD110 | 374.00 | 374.00 | 374.00 | ZW |
| T1L Lock Touchscreen Deadbolt Standalone | YRD120 | 299.00 | 299.00 | 299.00 | NR |
| T1L Lock Touchscreen Deadbolt Z-Wave | YRD120 | 424.00 | 424.00 | 424.00 | ZW |

CYLINDER / ACCESSORY / REPLACEMENT PART LIST PRICE⁺⁺

| DESCRIPTION | PART NO./LIST NO. | FINISH | LIST PRICE |
|---|--------------------------|---------------|-------------------|
| Adjustable Drive-In Latch | AYRDB-DRIVE-26 | US26 | 14.90 |
| Adjustable Radius Corner Latch | AYRDB2-619 | US15 | 14.90 |
| Adjustable Radius Corner Latch | AYRDB-0BP | US10BP | 14.90 |
| Adjustable Radius Corner Latch | AYRDB-605 | US3 | 14.90 |
| 4 1/4" Wide Plexiglass YRL Mount | AYR-425-MNT | | 120.00 |

⁺⁺ Upcharge option.


Yale Real Living® Look Door Viewer®

Look Door Viewer with WiFi
YRV740W693
Look Door Viewer with Z-Wave (Coming Soon)
YRV740ZW693



LCD Monitor for Inside



 Yale Look App

See and speak to whoever's at your door, from anywhere, using your smartphone.



HD Camera, Motion Detector,
Microphone and Speaker for Outside



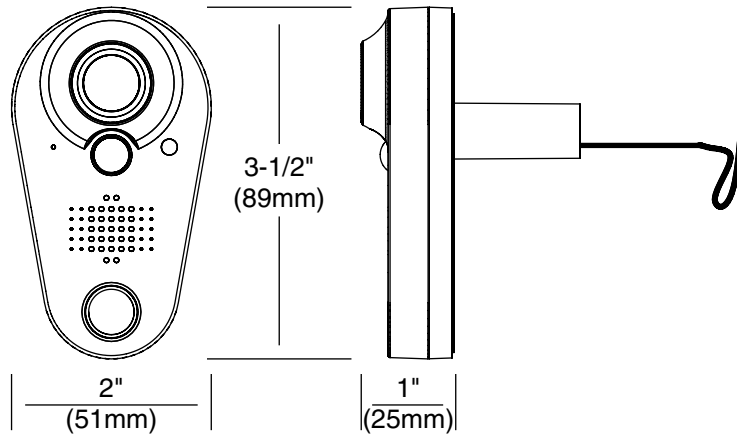
Answer Your Door. Anywhere. Anytime.®
with the Yale Look Door Viewer®.



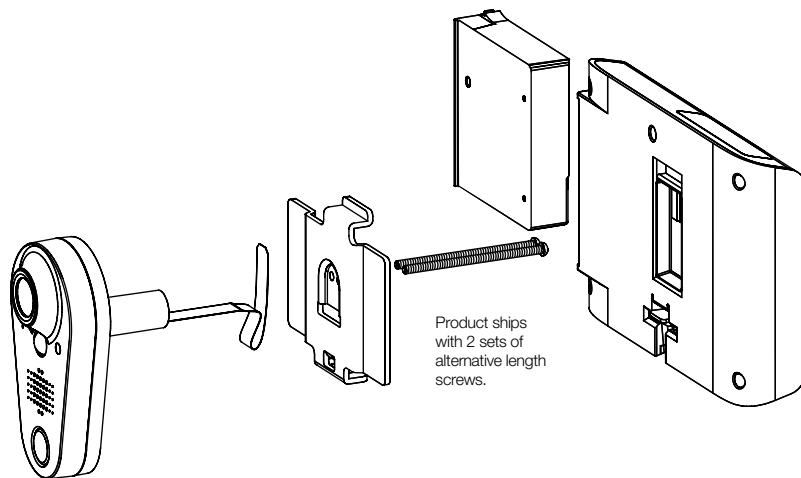
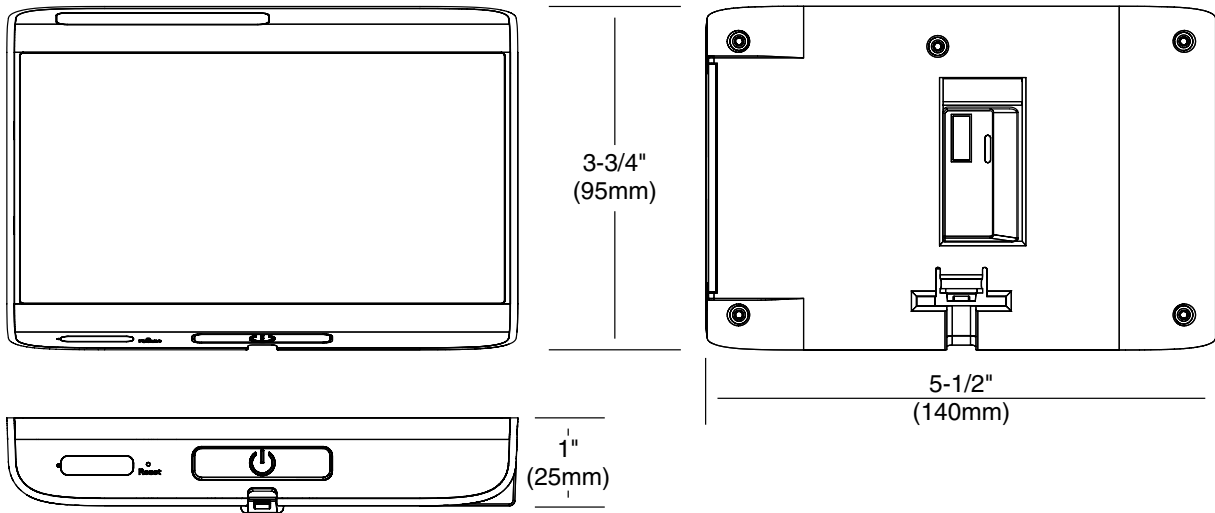
See and speak to visitors at your door, from anywhere, using the free Yale Look app for iOS and Android.

- Receive a notification on your smartphone when motion is detected right outside your door or when the doorbell is pressed.
- See and speak to your visitors right from your smartphone.
- View a time line history with photos and videos to see recent activity.
- Z-Wave version integrates seamlessly into most Z-Wave home automation or alarm systems for added smart home features.

**HD Camera,
Motion Detector,
Microphone
and Speaker for
Outside**



LCD Monitor For Inside



Product ships
with 2 sets of
alternative length
screws.

Contact Support
1-855-213-5841 support@yalelock.com

Yale Real Living® Look Door Viewer®

Features

- View live video or still images of who is at the door
- Built in LED for assisted night viewing
- Images stored in internal memory so you can see who called, even when you were out
- Save video or still images to the internal SD memory card. Remove the card and access data via a hot-pluggable SD micro-card reader.
- Viewer screen can be seen from distances of several feet away
- Includes rechargeable battery pack and micro USB charging cable
- 110° viewing angle while not suffering from image distortion found in traditional door viewers
- 3.2" viewing screen provides large clear images of any visitor (up to 10 times bigger than traditional spy holes)
- Simple installation, fits doors 1³/₄" - 4" (thick)
- Robust, weather resistant construction
- One Year Warranty for original owner

Product Specifications

| | |
|--------------------------------|--|
| Lens | 110° angle |
| LED | Infrared LEDs for night mode |
| Door Chime | 80dB |
| LCD | 3.2" |
| Battery | 4 x AA batteries (supplied) |
| Support Door Thickness | 1 ³ / ₄ " - 4" (thick) |
| Cylinder Drill Diameter | ⁹ / ₁₆ " |
| Dimension, Viewer | 3 ³⁵ / ₆₄ " (H) 5 ²⁵ / ₆₄ " (W) 1" (D) |

STANDARD CASE QUANTITIES

Box Pack

| | |
|-------------------------|---|
| Look Door Viewer | 2 |
|-------------------------|---|

PRODUCT LIST PRICE

| LOOK DOOR VIEWER® | NO | Black 693 |
|------------------------------|-------------|------------------|
| Look Door Viewer with WiFi | YRV740WI693 | 324.00 |
| Look Door Viewer with Z-Wave | YRV740ZW693 | Coming Soon |

ACCESSORY LIST PRICE

| DESCRIPTION | PART NO. | LIST PRICE |
|---|-----------------|-------------------|
| 5 ³ / ₄ " Wide Plexiglass YRL Mount | DDV-619-693-MNT | 120.00 |



Yale Real Living® Digital Door Viewers

Premium

Black: AYRD-DDV7001-693

Silver: AYRD-DDV7001-619



Premium

Door Exterior



Premium

Memory Card

Standard

Black: AYRD-DDV8032-693

Silver: AYRD-DDV8032-619



Standard

Door Exterior



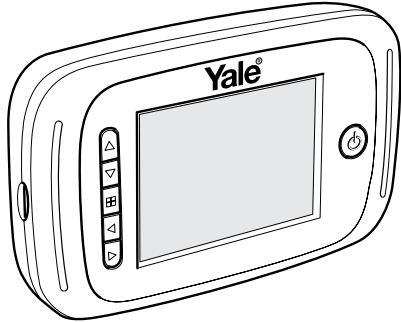
See who is at your door. An innovation in door viewer security. Select the best option and view or take clear still images or video with a 0.3 megapixel camera.

Available in 2 versions:

- Digital Door Viewer | Premium
- Digital Door Viewer | Standard

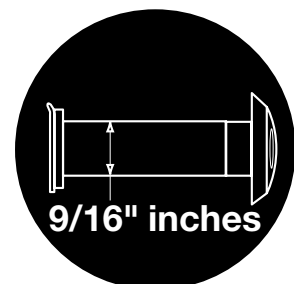
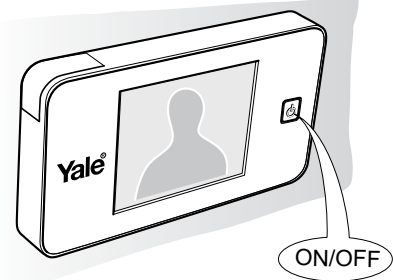
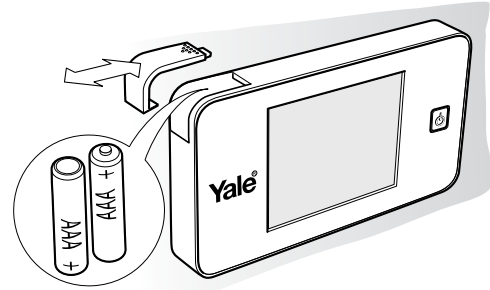
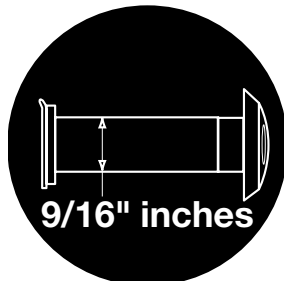
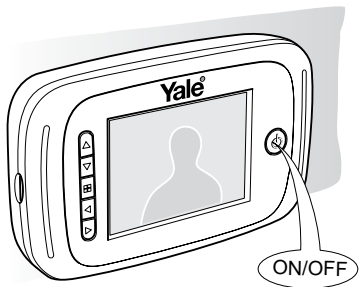
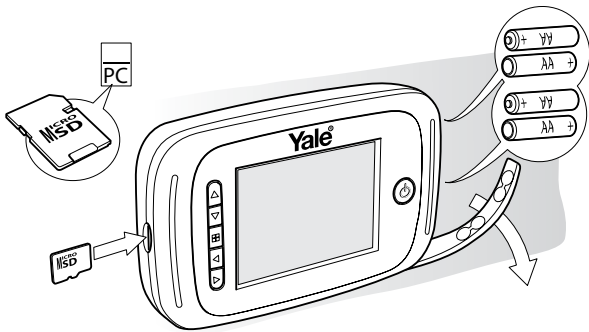
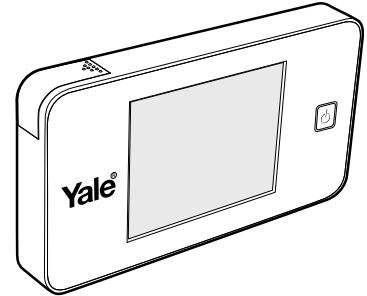
Digital Door Viewer Premium

Dimension, Viewer
3-35/64" (H)
5-25/64" (W)
1" (D)



Digital Door Viewer Standard

Dimension, Viewer
2-43/64" (H)
5" (W)
37/64" (D)



Yale Real Living® Digital Door Viewers

Digital Door Viewer | Premium

Features

- View live video or still images of who is at the door
- Built in LED for assisted night viewing
- Images stored in internal memory so you can see who called, even when you were out
- Save video or still images to the internal SD memory card. Remove the card and access data via a hot-pluggable SD micro-card reader.
- Viewer screen can be seen from distances of several feet away
- Includes 4 x AA batteries
- 110° viewing angle while not suffering from image distortion found in traditional door viewers
- 3.2" viewing screen provides large clear images of any visitor (up to 10 times bigger than traditional spy holes)
- Simple installation, fits doors 1³/₄" - 4" (thick)
- Robust, weather resistant construction
- One Year Warranty for original owner

Product Specifications

| | |
|--------------------------------|--|
| Lens | 110° angle |
| LED | Infrared LEDs for night mode |
| Door Chime | 80dB |
| LCD | 3.2" |
| Battery | 4 x AA batteries (supplied) |
| Support Door Thickness | 1 ³ / ₄ " - 4" (thick) |
| Cylinder Drill Diameter | 9/16" |
| Dimension, Viewer | 3 ³⁵ / ₆₄ " (H) 5 ²⁵ / ₆₄ " (W) 1" (D) |

STANDARD CASE QUANTITIES (Yale Real Living Digital Door Viewers)

| | Box Pack |
|----------------|----------|
| Premium | 30 |

PRODUCT LIST PRICE

| DESIGN | NO | Black 693 | Silver 619 |
|--|-------------|---------------|---------------|
| Digital Door Viewer Premium | AYRDDDV7001 | 200.00 | 200.00 |

ACCESSORY LIST PRICE

| DESCRIPTION | PART NO. | LIST PRICE |
|---|-----------------|---------------|
| 5 ³ / ₄ " Wide Plexiglass YRL Mount | DDV-619-693-MNT | 120.00 |



Digital Door Viewer | Standard

Features

- View live video or still images of who is at the door
- Includes 2 x AA batteries
- 105° viewing angle while not suffering from image distortion found in traditional door viewers
- 3.2" viewing screen provides large clear images of any visitor (up to 10 times bigger than traditional spy holes)
- Viewer screen can be seen from distances of several feet away
- Simple installation, fits doors 1¾" - 4" (thick)
- Robust, weather resistant construction
- One Year Warranty for original owner

Product Specifications

| | |
|--------------------------------|--|
| Lens | 105° angle |
| LCD | 3.2" |
| Battery | 2 x AA batteries (supplied) |
| Support Door Thickness | 1¾" - 4" (thick) |
| Cylinder Drill Diameter | 9/16" |
| Dimension, Viewer | 2 ⁴³ / ₆₄ " (H) 5" (W) 1/16" (D) |

STANDARD CASE QUANTITIES (Yale Real Living Digital Door Viewers)

Box Pack

| | |
|-----------------|----|
| Standard | 30 |
|-----------------|----|

PRODUCT LIST PRICE

| DESIGN | NO | Black 693 | Silver 619 |
|--|-------------|---------------|---------------|
| Digital Door Viewer Standard | AYRDDDV8032 | 140.00 | 140.00 |

ACCESSORY LIST PRICE

| DESCRIPTION | PART NO. | LIST PRICE |
|---|-----------------|---------------|
| 5 ³ / ₄ " Wide Plexiglass YRL Mount | DDV-619-693-MNT | 120.00 |



Yale Real Living® Assure Lock® Interconnected

Assure Lock Interconnected
YRC216/416



Assure Lock Interconnected
YRC226/426






Assure Lock Interconnected
YRC246/446








Yale Real Living Assure Lock Interconnected combines electronic deadbolts with the convenience of a passage lever for panic proof egress. From the inside, both the latchbolt and the deadbolt are retracted simultaneously in a single motion for a quick and easy exit. Available in standalone, Bluetooth, Z-Wave or Zigbee configurations.

Yale Real Living® Assure Lock® Interconnected

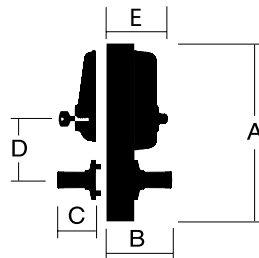
Styles

| STYLE | NO. | DESCRIPTION |
|---|--------------------------------|--|
|  | YRC216 YRC416 | Single point lock. Latchbolt is operated by either lever at all times. Deadbolt activated by touchscreen or key on outside or by thumbturn on inside. Interior lever retracts latch and deadbolt simultaneously. |
|  | YRC226 YRC426 | Single point lock. Latchbolt is operated by either lever at all times. Deadbolt activated by touchscreen or key on outside or by thumbturn on inside. Interior lever retracts latch and deadbolt simultaneously. |
|  | YRC246 YRC446 | Single point lock. Latchbolt is operated by either lever at all times. Deadbolt activated by touchscreen or by thumbturn on inside. Interior lever retracts latch and deadbolt simultaneously. |

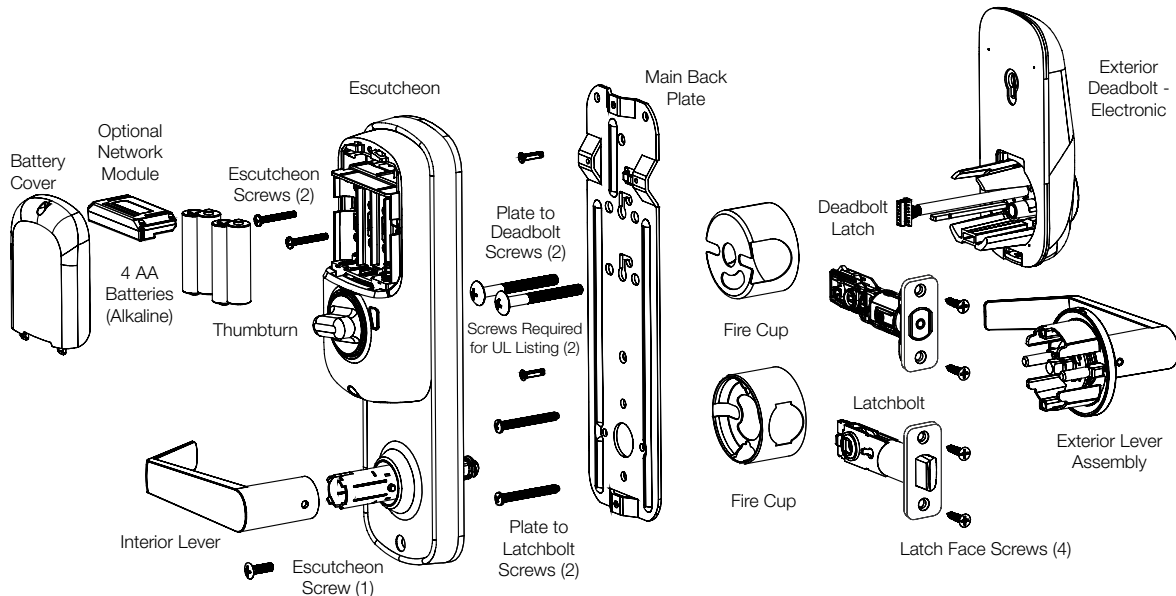
Product Specifications

| | |
|-------------------------------|---|
| Door Specs | 2 ¹ / ₈ " Face Bore, 1" Edge Bore, 4" or 5 ¹ / ₂ " Center to Center* *Must specify |
| Backset | 2 ³ / ₈ " (60mm) or 2 ³ / ₄ " (70mm) |
| Door Thickness | 1 ³ / ₈ " (35mm) to 1 ³ / ₄ " (44mm) |
| Cylinder | KW-1 Compatible standard, other cylinders/keyways available to order. SFIC optional. |
| Keying | KD (Keyed Different) standard, master keying available to order Other Keying options see page 89 |
| Latch Faceplate | 1" (25mm) W x 2 ¹ / ₄ " (57mm) H; Round Corner standard, Square Corner available to order |
| Strike | Lever: 2 ¹ / ₄ " (57mm) Full Lip, Deadbolt Strike: 1" x 2 ¹ / ₄ "; Round Corner standard, other strikes available to order. |
| Certified ANSI/BHMA | A156.12, Grade 2  |
| UL/cUL | Listed for 20 minute fire doors  |
| Communication Protocol | Control4 and Crestron require unique network modules. |
| |    |

Mechanical View



| DIMENSIONS | A | B | C | D | Width |
|-------------------------|----------------------------------|---------------------------------|---------------------------------|---------------------------------|-----------------------------------|
| Based on Woodland Lever | | | | | |
| PASSAGE | | | | | |
| Lever | 10 ⁵ / ₈ " | 2 ⁵ / ₈ " | 2 ¹ / ₂ " | 4" | 2 ¹³ / ₁₆ " |
| | 12 ¹ / ₈ " | | | 5 ¹ / ₂ " | |
| ENTRY | | | | | |
| Lever | 10 ⁵ / ₈ " | 2 ⁵ / ₈ " | 2 ¹ / ₂ " | 4" | 2 ¹³ / ₁₆ " |
| | 12 ¹ / ₈ " | | | 5 ¹ / ₂ " | |



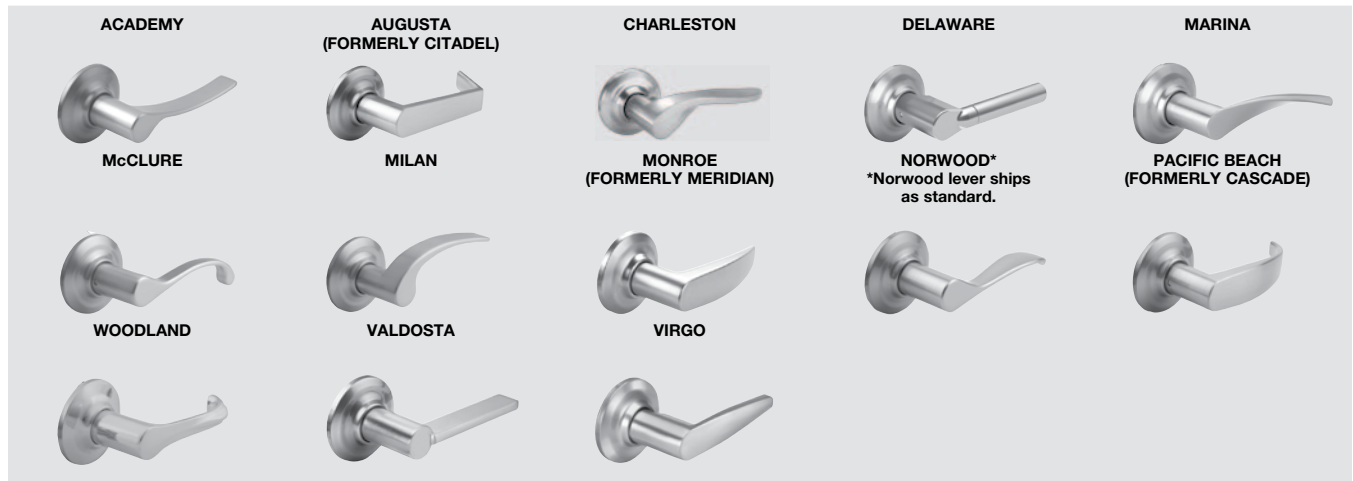
BOX PACK LIST PRICE

Interconnected

Available lever styles shown below.
Yale Real Living YRC216, YRC226 (KW standard);
see below for keying options

| | DESIGN | Z-wave, Zigbee, Bluetooth, Standalone | US3 | US15 | 10BP |
|---|-------------|--|--------|---------------|--------|
| | | | 605 | 619 | |
| Note: orders over 5 pieces need to be ordered factory direct and require longer lead times | | | | | |
| YRC216 Interconnected | Push Button | ZW2/HA2 | 580.00 | 580.00 | 580.00 |
| YRC216 Interconnected | Push Button | Standalone | 480.00 | 480.00 | 480.00 |
| YRC226 Interconnected | Touchscreen | ZW2/HA2 | 650.00 | 650.00 | 650.00 |
| YRC226 Interconnected | Touchscreen | Standalone | 550.00 | 550.00 | 550.00 |
| YRC246 Interconnected | Key Free | ZW2/HA2 | 650.00 | 650.00 | 650.00 |
| YRC246 Interconnected | Key Free | Standalone | 550.00 | 550.00 | 550.00 |
| YRC416 Interconnected | Push Button | ZW2/HA2 | 580.00 | 580.00 | 580.00 |
| YRC416 Interconnected | Push Button | Bluetooth | 480.00 | 480.00 | 480.00 |
| YRC426 Interconnected | Touchscreen | ZW2/HA2 | 650.00 | 650.00 | 650.00 |
| YRC426 Interconnected | Touchscreen | Bluetooth | 550.00 | 550.00 | 550.00 |
| YRC446 Interconnected | Key Free | ZW2/HA2 | 650.00 | 650.00 | 650.00 |
| YRC446 Interconnected | Key Free | Bluetooth | 550.00 | 550.00 | 550.00 |

Note: For lever finish availability see YH pages 59-62



| INTERCONNECTED PASSAGE LEVER PAIRS** | | |
|---|----------|-------|
| Design | Part # | |
| Academy (Passage lever Pair) | YR05D67* | 36.00 |
| Augusta (Passage lever Pair) | YR05D66* | 36.00 |
| Delaware (Passage lever Pair) | YR05D6D* | 36.00 |
| Marina (Passage lever Pair) | YR05D64* | 36.00 |
| McClure (Passage lever Pair) | YR05D65* | 36.00 |
| Milan (Passage lever Pair) | YR05D63* | 36.00 |
| Monroe (Passage lever Pair) | YR05D6W* | 36.00 |
| Norwood (Passage lever Pair) | YR05D68* | 36.00 |
| Pacific Beach (Passage lever Pair) | YR05D62* | 36.00 |
| Valdosta (Passage lever Pair) | YR05D6V* | 36.00 |
| Virgo (Passage lever Pair) | YR05D61* | 36.00 |
| Woodland (Passage lever Pair) | YR05D69* | 36.00 |

| OPTIONS | | |
|--------------------------------------|-------|--|
| Less Cylinder (LC) | 0.00 | No deductions |
| SFIC (LC only) | 0.00 | No deductions |
| Para Keyway | 0.00 | No adder |
| KW1 cylinder separately 6-pin | 9.90 | See page 15 for cylinder options and part numbers. |
| Schlage C separately 6-pin | 9.90 | See page 15 for cylinder options and part numbers. |
| Yale Para separately 6-pin | 14.10 | See page 15 for cylinder options and part numbers. |

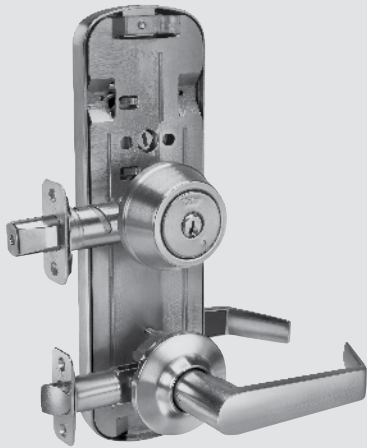
Latches, Latchbolts, Cylinders see page 15.

**Ships Norwood standard. Upcharge Quickship.Flashship orders. Factory standard charge.

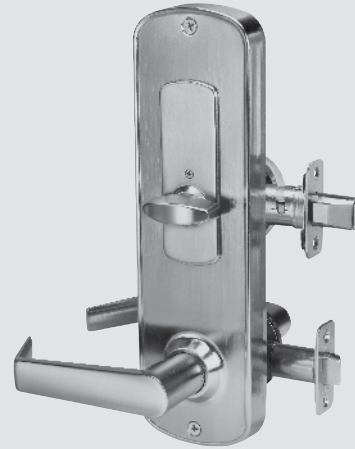
YH Interconnected Mechanical from Yale®

Adjustable 4" or 5.5"

YH Collection Premier Deadbolt
with Passage Lever
Exterior



Interior



The new YH Collection Grade 2 Interconnected Mechanical Locksets offer flexible, convenient and stylish security for new or retrofit multi-family applications. The center to center dimension is field-adjustable and installs into most standard door preps. From the inside, latchbolt and deadbolt retract simultaneously for easy egress and the thumbturn quickly secures the opening. Available in three functions with 12 levers in 5 finishes, the Interconnected Mechanical locksets are sure to complement any décor.

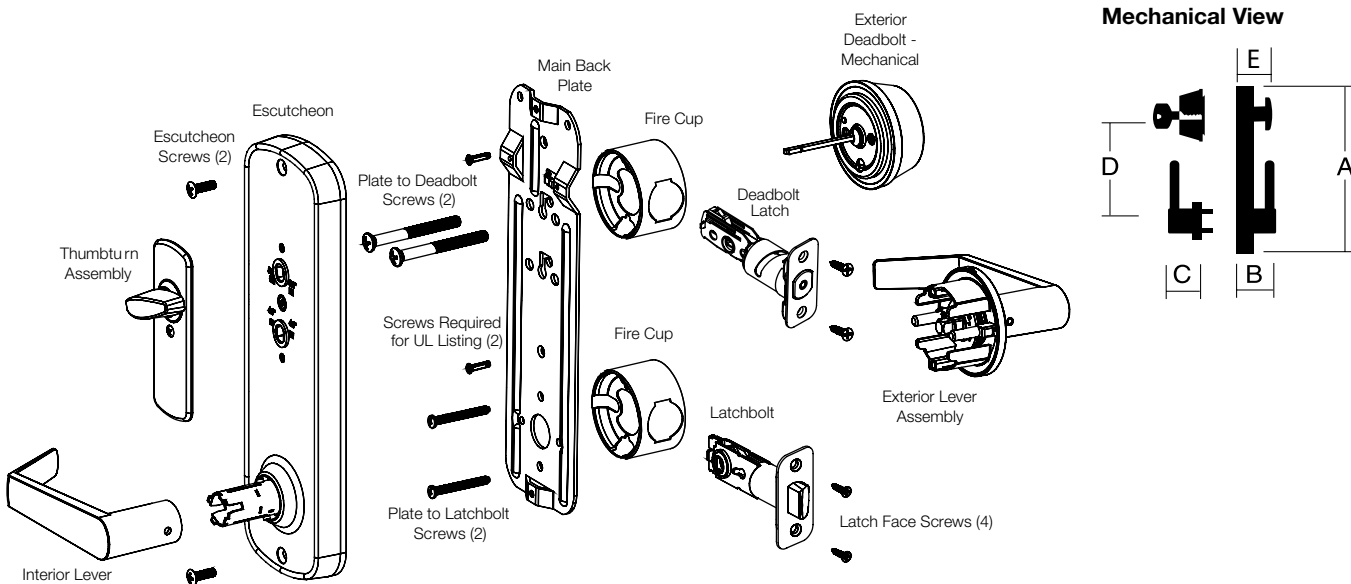
Functions

| FUNCTION | NO. | DESCRIPTION |
|----------|-------|--|
| | YR852 | PASSAGE: Single point lock. Latchbolt is operated by either lever at all times. Deadbolt activated by key on outside; inside by T-turn. Interior lever retracts latch and deadbolt simultaneously. |
| | YR853 | PRIVACY WITH DEADBOLT INDICATOR: Single point lock. Latchbolt is operated by either lever at all times. Deadbolt activated by emergency key on outside; inside by T-turn. Occupancy indicator displays "In Use" when deadbolt thrown or "Vacant" when deadbolt retracted. Interior lever retracts latch and deadbolt simultaneously. |
| | YR872 | ENTRY: Dual point lock. Lever unlocks from outside by key; interior lever free egress. Deadbolt activated by key on outside; inside by T-turn. Interior lever retracts latch and deadbolt simultaneously. |

Product Specifications

| | |
|----------------------------|---|
| Door Specs | 2 1/8" Face Bore, 1" Edge Bore, 4" or 5 1/2" Center to Center |
| Backset | 2 3/8" or 2 3/4" |
| Door Thickness | 1 3/8" to 1 3/4" |
| Cylinder | KW-1 Compatible standard, other cylinders/keyways available to order |
| Keying | KD (Keyed Different) standard, master keying available to order Other Keying options see page 89 |
| Latch Faceplate | 1" W x 2 1/4" H; Round Corner standard, Square Corner available to order |
| Strike | 2 1/4" RC Full Lip & 1 1/8" x 2 3/4" RC Universal standard, Other strikes Available to order. |
| Certified ANSI/BHMA | A156.12, Grade 2 |
| UL/cUL | Listed for 90 minute fire doors |

| DIMENSIONS | A | B | C | D | Width |
|-------------------------|----------|--------|--------|--------|----------|
| Based on Woodland Lever | | | | | |
| PASSAGE | | | | | |
| Lever | 10 8/16" | 2 5/8" | 2 1/2" | 4" | 2 13/16" |
| | 12 1/8" | | | 5 1/2" | |
| ENTRY | | | | | |
| Lever | 10 8/16" | 2 5/8" | 2 1/2" | 4" | 2 13/16" |
| | 12 1/8" | | | 5 1/2" | |



Price List

YH Collection Grade 2

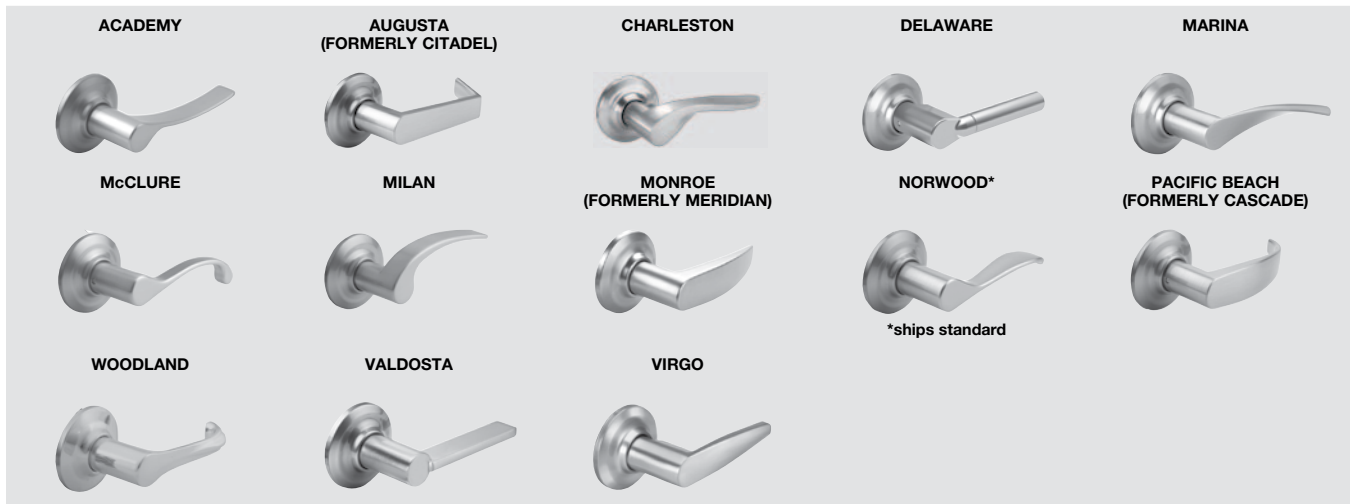
BOX PACK LIST PRICE

Interconnected

Available lever styles shown below.
Premier Deadbolt - Standard KW, SC, Para
D200 Deadbolt - GA, SFIC, Others
90 Min UL Rating Standard

| | DESIGN | FUNCTION NO BHMA | US3 605 | US15 619 | BSP Black Suede | US26D 626 | 10BE 613E | 10BP |
|--|--------------|---------------------|--|---------------|-----------------------|---------------|--------------|--------|
| | | | Note: QuickShip orders over 50 pieces need to be ordered factory direct | | | | Suede | |
| YR852 Single Locking All Levers | Interconnect | 852 | 198.00 | 198.00 | 198.00 | 198.00 | 219.00 | 219.00 |
| YR872 Double Locking All Levers | Interconnect | 872 | 240.00 | 240.00 | 240.00 | 240.00 | 260.00 | 260.00 |
| YR853 Privacy with Indicator All Levers | Interconnect | 853 | 198.00 | 198.00 | 198.00 | 198.00 | 219.00 | 219.00 |

NOTE: For lever finish availability see YH pages 57, 58, & 59



INTERCONNECT PASSAGE LEVER PAIRS**

| Design | Part # | US26D | US15 |
|------------------------------------|----------|-------|-------|
| Academy (Passage lever Pair) | YR05D67* | 36.00 | 36.00 |
| Augusta (Passage lever Pair) | YR05D66* | 36.00 | 36.00 |
| Delaware (Passage lever Pair) | YR05D6D* | 36.00 | 36.00 |
| Marina (Passage lever Pair) | YR05D64* | 36.00 | 36.00 |
| McClure (Passage lever Pair) | YR05D65* | 36.00 | 36.00 |
| Milan (Passage lever Pair) | YR05D63* | 36.00 | 36.00 |
| Monroe (Passage lever Pair) | YR05D6W* | 36.00 | 36.00 |
| Norwood (Passage lever Pair) | YR05D68* | 36.00 | 36.00 |
| Pacific Beach (Passage lever Pair) | YR05D62* | 36.00 | 36.00 |
| Valdosta (Passage lever Pair) | YR05D6V* | 36.00 | 36.00 |
| Virgo (Passage lever Pair) | YR05D61* | 36.00 | 36.00 |
| Woodland (Passage lever Pair) | YR05D69* | 36.00 | 36.00 |

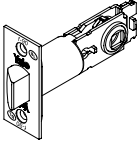
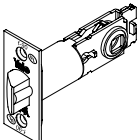
**Ships Norwood standard. Upcharge Quickship. Flashship orders. Factory standard charge.

OPTIONS

| | | |
|---------------------------------------|-------------------------|--|
| Less Cylinder (LC) | \$0.00 No deductions | |
| SFIC (LC only) | \$0.00 No deductions | Lock SFICLC only. A600 or K600 available thru YC, should be listed as a separate line item. To order specify SFIC. 872/SFIC only available with Augusta, Monroe or Pacific Beach |
| LFIC (LC only) | No deductions | Lock LFICLC only. 1210, 5210 or K800 core available thru YC, should be listed as a separate line item. To order specify YR852 x LFIC. |
| Arrow Keyway | \$0.00 No adder | To order specify "AR" keyway. |
| Para Keyway | \$0.00 No adder | |
| GA Keyway | \$0.00 No adder | |
| Other YC keyways and Cylinder formats | \$0.00 No deductions | Extend leadtime for BK, MK, GMK, etc. 1. Specify less core when ordering through Yale Residential. 2. Order cylinder through Yale Commercial. |
| KW1 cylinder separately 6 pin | \$10.20 | See page 93 for cylinder options and part numbers. |
| Schlage C separately 6-pin | \$10.20 | See page 93 for cylinder options and part numbers. |
| Yale Para separately 6 pin | \$14.60 | See page 93 for cylinder options and part numbers. |
| 1803 Cylinder separately | \$56.00 | Order through Yale Commercial DB = 1803-134S and Lever = 1803-54K |
| D Series Deadbolt Latches | | Order through Arrow |
| Arrow cylinders separately | \$25.00 | DB = 692C x 6 pin and Lever = 100YC x 6 pin |

Yale Real Living® Interconnected

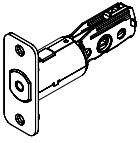
LOCKSET LATCHES

| PLAIN SPRING LATCHES | BACKSET | FRONT WIDTH | THROW | LATCH DIAMETER** | CORNER SPECS | MODEL NO | LIST PRICE |
|---|---|---------------|-------------|------------------|--------------|-----------|------------|
| |  | 2-3/8" (60mm) | 1" (25mm) | 1/2" (13mm) | 7/8" (22mm) | Radius | YR01802*U |
| | 2-3/8" (60mm) | 1" (25mm) | 1/2" (13mm) | 7/8" (22mm) | Square | YR01804*U | \$12.70 |
| | 2-3/4" (70mm) | 1" (25mm) | 1/2" (13mm) | 7/8" (22mm) | Radius | YR01806*U | \$12.70 |
| | 2-3/4" (70mm) | 1" (25mm) | 1/2" (13mm) | 7/8" (22mm) | Square | YR01808*U | \$12.70 |
| DEADLOCKING LATCHES | BACKSET | FRONT WIDTH | THROW | LATCH DIAMETER** | CORNER SPECS | MODEL NO | LIST PRICE |
|  | 2-3/8" (60mm) | 1" (25mm) | 1/2" (13mm) | 7/8" (22mm) | Radius | YR01812*U | \$12.70 |
| | 2-3/8" (60mm) | 1" (25mm) | 1/2" (13mm) | 7/8" (22mm) | Square | YR01814*U | \$12.70 |
| | 2-3/4" (70mm) | 1" (25mm) | 1/2" (13mm) | 7/8" (22mm) | Radius | YR01816*U | \$12.70 |
| | 2-3/4" (70mm) | 1" (25mm) | 1/2" (13mm) | 7/8" (22mm) | Square | YR01818*U | \$12.70 |

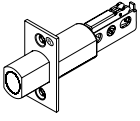
*Specify finish when ordering.

MECHANICAL DEADBOLT LATCHES

For use with Yale PARA, Kwikset and Schlage C keyway cylinders

| | BACKSET | FRONT WIDTH | THROW | CORNER SPECS | MODEL NO | LIST PRICE |
|--|-------------|-------------|-----------|--------------|-----------|------------|
|  | Adjustable^ | 1" (25mm) | 1" (25mm) | Square | YR01D44*U | \$14.60 |
| | Adjustable^ | 1" (25mm) | 1" (25mm) | Radius | YR01D41*U | \$14.60 |

For use with SFIC, Arrow and Yale Commercial GA Keyway cylinders.

| | BACKSET | FRONT WIDTH | THROW | CORNER SPECS | MODEL NO | LIST PRICE |
|---|--------------|-------------|-----------|--------------|----------|------------|
|  | 2-3/8" Fixed | 1" (25mm) | 1" (25mm) | Square | D38* | ** |
| | 2-3/8" Fixed | 1" (25mm) | 1" (25mm) | Radius | D38R* | ** |
| | 2-3/4" Fixed | 1" (25mm) | 1" (25mm) | Square | D34* | ** |
| | 2-3/4" Fixed | 1" (25mm) | 1" (25mm) | Radius | D34R* | ** |

ELECTRONIC DEADBOLT LATCHES

| | BACKSET | FRONT WIDTH | THROW | CORNER SPECS | MODEL NO | LIST PRICE |
|--|-------------|-------------|-----------|--------------|----------|------------|
| | Adjustable^ | 1" (25mm) | 1" (25mm) | Radius | AYRDB*U | |

*Specify finish when ordering.

FIXED CORE CYLINDERS

| LOCK TYPE | KEYWAY | DESCRIPTION | MODEL NUMBER | | NUMBER OF PINS | LIST PRICE |
|------------|-------------------------------------|--|----------------|-------------------|----------------|------------|
| | | | LOCKSET | DEADBOLT | | |
| Mechanical | Kwikset® | Standard cylinder. Available 1-bitted, KA, KD (std), MK, BK | YR06D013 (605) | YR06D103ICN (605) | 6 | \$10.20 |
| | | | YR06D016 (626) | YR06D106ICN (626) | | |
| | Yale® PARA | Optional cylinder. Available 0-bitted, KD, KA, MK, BK | YR06Y303 (605) | YR06Y413ICN (605) | 6 | \$14.60 |
| | | | YR06Y306 (626) | YR06Y416ICN (626) | | |
| | Yale® GA | Optional cylinder. Available 0-bitted, KD, KA, MK, CMK extend leadtime for BK, MK, GMK, etc. | 1803-54K | 1803-134S | 6 | ** |
| Arrow AR | Optional cylinder. Available KA, KD | 100YC | 692C | 6 | ** | |
| Electronic | Schlage® C | Optional cylinder. Available 0-bitted, KD, KA, MK, BK | YR068D01 (605) | YR068D02ICN (605) | 6 | \$14.60 |
| | | | YR068D05 (626) | YR068D06ICN (626) | | |
| | Kwikset® | Standard cylinder. Available KA, KD (std), MK | N/A | AYRD200-KW | 5 | \$14.10 |
| | Yale® PARA | Optional cylinder. Available 0-bitted, KD, KA, MK, BK | N/A | AYRD200-PA | 6 | ** |
| | Schlage® C | Optional cylinder. Available 0-Bitted, KA, KD, MK | N/A | AYRD200-SC | 5 | \$14.10 |

605 finish cylinders used with 605, 613E and 10BP finish locks. 626 finish cylinders used with 619, 626, BSP finish locks. Specify finish and keying when ordering.

Specify finish and keying when ordering.

**Note: Other Yale Commercial keyways and cylinder mechanisms available separately. Contact customer service for availability. Specify finish and keying when ordering.

INTERCHANGEABLE CORE

Small Format – Small format interchangeable core is available. To order, specify "x SFIC-LC" for cylinder. i.e. AU x YR852 x SFIC-LC x 4" x 626. For entry functions, SFIC is available with for AU, MO and PB designs only. All units will be provided less core. Model number A600 or K600 cores can be ordered separately through Yale Commercial.

Large Format – Yale Commercial large format interchangeable core is available for passage function. To order, specify "x LFIC-LC" for cylinder. i.e. AU x YR852 x LFIC-LC x 4" x 626.

All units will be provided less 6-pin core only. LFIC cores can be ordered separately through Yale Commercial.

Yale® nexTouch™ Wireless with Z-Wave® or Zigbee®

Pushbutton
Augusta Lever as shown



Touchscreen
Augusta Lever as shown



Interior



Yale, nexTouch™ is the new generation in access control for small businesses, combining a certified Grade 1 cylindrical lockset with with Z-Wave or Zigbee wireless technology. Integrate nexTouch into your alarm or automation systems for ultimate convenience. Offering innovative products with ease of use in mind, **Yale Works for You**™.



Features

Capacitive touchscreen or tactile pushbutton keypad

Weather resistant gasket

All code lockout mode

Low battery indicators on the lock and through most integration systems

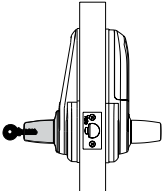
9V battery terminal for back-up charging

Key override

Privacy button on the interior

Voice guided assistance in 3 languages


Functions

| FUNCTION | NO. | DESCRIPTION |
|---|-------------|--|
|  | NTB610 | With Cylinder Override <ul style="list-style-type: none"> For doors that require mechanical key override Latchbolt retracted by lever outside with valid PIN code; by use of mechanical key, or by operating lever inside. Inside lever always active Deadlocking latchbolt |
| | NTB620 | |
| | Touchscreen | |

Finishes

| ANSI/BHMA Code | Finish Description |
|----------------|---------------------|
| 626 | Satin Chrome Plated |

Product Specifications

| | |
|----------------------------|---|
| Door Specs | Fits into the standard ANSI/BHMA A156.115 cylindrical lock with lever door prep with one additional 1" hole. Note: See template. |
| Backset | 2¾" (70mm) standard backset |
| Door Thickness | 1¾" (44mm) door thickness standard; thin door kit required for 1⅜" thick doors |
| Handing | Non-handed |
| Latch | ½" (13mm) throw deadlocking latchbolt supplied standard |
| Strike | ANSI strike 4⅞" x 1¼" x 1¼" (124 mm x 32 mm x 32 mm) lip to center supplied standard |
| Cylinder | Accepts Yale® fixed core component cylinders; also available to accept small format interchangeable core (SFIC). For Yale Residential Customers: Warehouse stocks PARA cylinder product only. |
| Keying | Capable of accepting Yale® 6-pin standard, small and large format interchangeable core, security and protected keyway cylinders with master keying capabilities. Keyed random only. |
| Certified ANSI/BHMA | A156.2, Series 4000 Grade 1  |
| UL/cUL | Functions are UL - cUL Fire Listed for use on fire doors having a rating up to and including 3-hours |
| Warranty | 1-year electrical warranty; 3-year mechanical and finish warranty |
| Temperature Range | -40°F to +140°F (-40°C to +60°C) at 95% relative humidity when used with an external power supply |
| Power Source | 4 AA alkaline batteries (included) with optional hardwire input for 9VDC external power; 9V battery power backup |

Communication Protocol

Zigbee HA1.2 not Control4® or Crestron® compatible



Price List

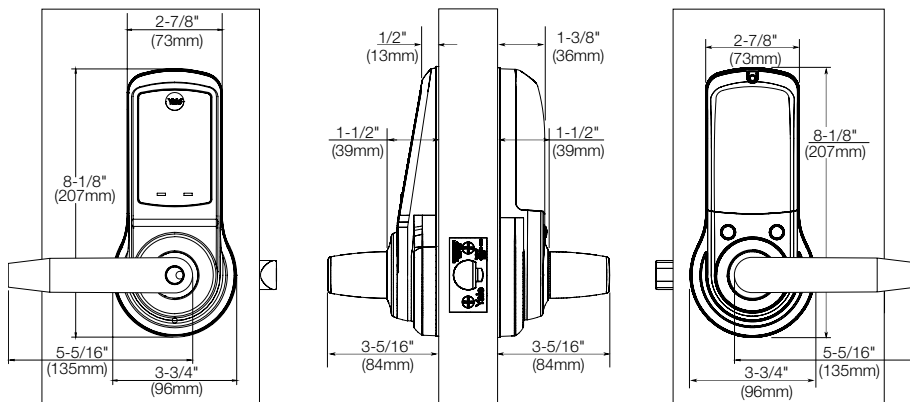
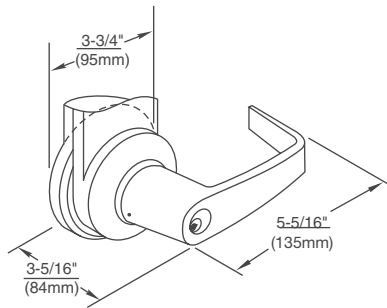


**nexTouch™
Grade 1**

| BOX PACK LIST PRICE | NO | US26D 626 | MODULE |
|---|-----------------|---------------|--------|
| Description | | | |
| Keyed Standard / Yale Commercial | | | |
| Touchscreen NTB620 Z-Wave | 084601 | 774.00 | ZW2 |
| Pushbutton NTB610 Z-Wave | 084600 | 750.00 | ZW2 |
| Touchscreen NTB620 Zigbee | 084787 | 774.00 | HA2 |
| Pushbutton NTB610 Zigbee | 084786 | 750.00 | HA2 |
| nexTouch Mount | AYRD-MNT-YNT-CM | 200.00 | |

Augusta as shown; lever ships as standard
For additional lever styles and options please consult with your local Yale sales representative.

AUGUSTA AU
Lever: Cast Zinc



Technology Options: Upgrade a standalone lock

| | | | |
|------------|----------------------------|----------------|---------------|
| HA2 | Zigbee Network Module | AYR202-ZB-HA | 125.00 |
| ZW2 | Z-Wave Plus Network Module | AYR202-ZWV-USA | 125.00 |

Pivot Collection from Yale®

Available June 1, 2017

pivot
COLLECTION™



Exterior






Interior

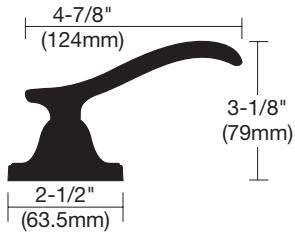
Redefining the landscape of residential mechanical hardware with push to open products designed to fit seamlessly into your home.

- Easily open doors when your hands are full
- Ideal for small children and elderly
- ADA compliant
- Dummy, privacy and passage functions

Pivot Collection from Yale®

Styles

| STYLE | NO. | DESCRIPTION |
|---|-----|--|
|  | 11 | PASSAGE: Latchbolt is operated by either lever at all times. (nonhanded) |
|  | 21 | PRIVACY: Latchbolt is operated by either lever except when inside lever is locked by push button. Push button is released by coin release slot on outside or by turning inside lever. (non-handed) |
|  | 81 | DUMMY: For doors where only pull is required. |



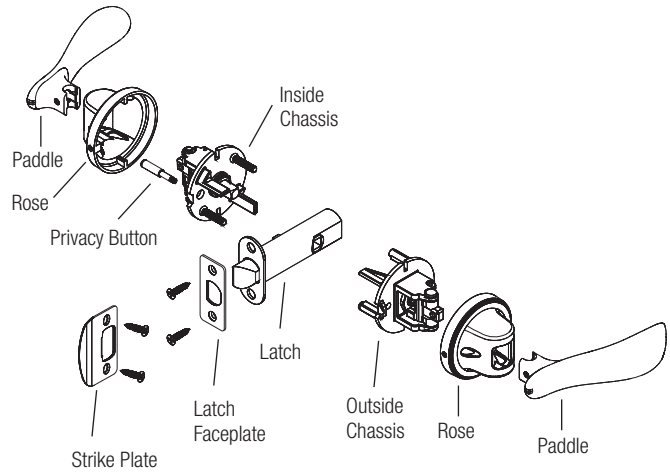
Product Specifications

| | |
|----------------|--------------------------------------|
| Face Bore | 2 1/8" Face Bore |
| Edge Bore | 1" |
| Latch | Available in 2 3/8" or 2 3/4" |
| Door Thickness | 1 3/8" to 1 3/4" |
| Strike | 2 1/4" Full Lip RC (Round Corner) |

Standard Case Quantities - Enter the exact number of individual units required. As an example: If there are 12 units in a case and you require 1 case, enter 12 in the "quantity" space. See below for an example of standard case quantities.

Standard Case Quantities (Pivot Collection)

| | Box Pack(SP) | Clear View(CV) |
|--------|--------------|----------------|
| Levers | 12 | 6 |

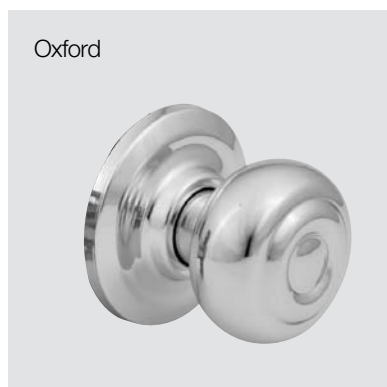
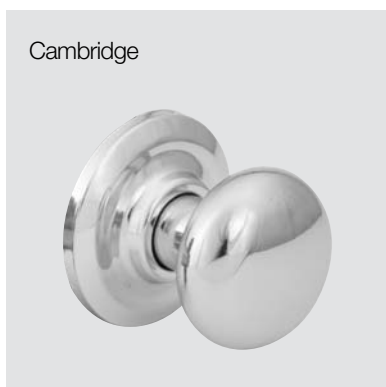
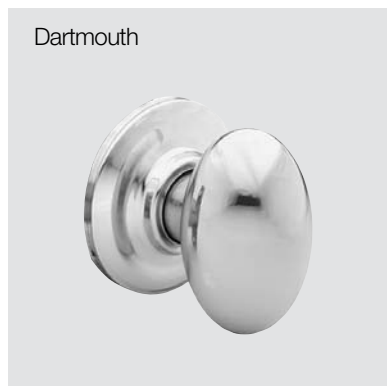


| DESIGN | FUNCTION | NO | US3 | US26 | US26D | US10BE | US10BP | US5 | US15 | US15A | GM | BSP |
|------------|----------|----|--------|------|-------|--------|--------|-----|--------|-----------|-------------|-------|
| | | | 605 | 625 | 626 | 613E | 609 | 619 | 620 | Gun Metal | Black Suede | |
| Navis (NV) | Dummy | 81 | 37.00* | N/A | 37.00 | N/A | 37.00* | N/A | 37.00* | N/A | N/A | 37.00 |
| | Passage | 11 | 74.00* | N/A | 74.00 | N/A | 74.00* | N/A | 74.00* | N/A | N/A | 74.00 |
| | Privacy | 21 | 78.00* | N/A | 78.00 | N/A | 78.00* | N/A | 78.00* | N/A | N/A | 78.00 |

*Coming soon to QuickShip.

YH Collection™ from Yale®

Knobs

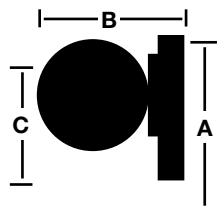


The YH Collection continues a legacy of distinctive design, high manufacturing standards and demanding performance started by Linus Yale in the mid-19th century. The YH Collection leverages years of engineering refinement with artful execution to offer a series of ANSI Grade 2 superior light commercial quality locks that will beautifully serve any home for generations. They offer superior functionality such as push-button locking and removable knobs for simple re-keying.

Functions

| FUNCTION | NO. | DESCRIPTION |
|----------|-----|--|
| | 80 | DUMMY: For doors where only pull is required. |
| | 10 | PASSAGE: Latchbolt is operated by either knob at all times. |
| | 60 | ONE SIDED W/PLATE: Latchbolt is operated by knob on one side only. |
| | 20 | PRIVACY: Latchbolt is operated by either knob except when inside knob is locked by push button. Push button is released by special emergency key on outside or by turning inside knob/lever. |
| | 26 | BATHROOM: Same function as 20 privacy with US26 finish on interior knob. |
| | 70 | ENTRY: Guarded latchbolt operated from outside by key; inside by knob. Push button locks outside knob. Outside knob unlocks by key or by turning inside knob. |
| | 75 | CLASSROOM: Guarded latchbolt operated by either knob except when outside knob is locked by out side key. Inside knob is always free. |
| | 78 | STOREROOM: Guarded latchbolt operated from outside knob by key; inside by knob. Outside knob fixed until cylinder is unlocked by key. Key captured until cylinder is locked. Inside knob is always free. |

| DIMENSIONS | A | B | C |
|------------|----------------------------------|----------------------------------|---------|
| Bridgeport | 2 ⁹ / ₁₆ " | 2 ⁹ / ₁₆ " | 2" |
| Oxford | 2 ⁹ / ₁₆ " | 2 1/4" | 2 1/8" |
| Cambridge | 2 ⁹ / ₁₆ " | 2 1/4" | 2 5/64" |
| Dartmouth | 2 ⁹ / ₁₆ " | 2 3/8" | 2 1/2" |



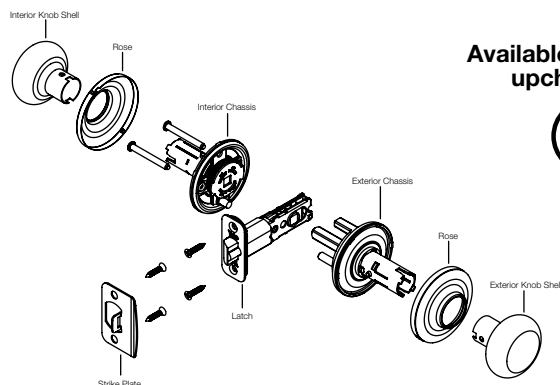
Product Specifications

| | |
|----------------------------|--|
| Door Specs | 2 1/8" Face Bore, 1" Edge Bore, 2 3/8" or 2 3/4" Backset Box Pack: Latch Face 1" x 2 1/4" RC (Round corner; Square corner optional) |
| Latch | Box Pack: Adjustable 2 3/8" to 2 3/4" RC (Round Corner) |
| Door Thickness | 1 3/8" to 1 3/4" |
| Cylinder | 6 Pin KW-1 Standard (SC-1 Optional) |
| Keying | Box Pack: KA3 (Keyed Alike) |
| Faceplate | 1" W x 2 1/4" H RC (Round Corner) |
| Strike | Box Pack: 2 1/4" Full Lip RC (Round Corner) |
| Certified ANSI/BHMA | A156.2 Series 4000 Grade 2 |

Standard Case Quantities - Enter the exact number of individual units required. As an example: If there are 24 units in a case and you require 1 case, enter 24 in the "quantity" space. See below for an example of standard case quantities.

Standard Case Quantities (YH Collection)

| | Box Pack(SP) | Clear View(CV) |
|----------------------------|--------------|----------------|
| Dummy | 12 | 6 Pair |
| Knobs | 24 | 6 |
| Levers | 12 | 6 |
| Deadbolts | 12 | 6 |
| Combo Sets | 12 | 6 |
| Handlesets | 6 | N/A |
| Handlesets - Interior Pack | 6 | N/A |



Available with
upcharge.



Price List



Decorative Rosettes

Flat Round

Oval

Flat Square

Traditional

Pair with all 'YH' knob or lever styles through factory direct orders and QuickShip.

| Rosette Availability | US3 | US10BP | US15 | BSP | US26 | List Upcharge Full Lockset | Dummy |
|----------------------|-----|--------|------|-----|------|----------------------------|-------|
| Flat Round | | • | • | • | • | 9.00 | 4.50 |
| Flat Square | | • | • | • | • | 11.60 | 5.80 |
| Oval | • | • | • | | | 20.00 | 10.00 |
| Traditional | • | • | | | | 20.00 | 10.00 |

Note: Decorative rosettes ship separate as kit.

BOX PACK LIST PRICE

Knobs

Featuring Push Button Locking with Free Interiors

| DESIGN | FUNCTION BHMA | NO | US3 605 | US26 625 | US26D 626 | 10BE 613E | 10BP | US5 609 | US15 619 | US15A 620 | GM Gun Metal | BSP Black Suede |
|-----------------|-------------------|-------|--------------|--------------|--------------|-----------|--------------|--------------|--------------|--------------|--------------|-----------------|
| Bridgeport (BP) | Dummy | 80 | 10.50 | 10.50 | 10.50 | N/A | N/A | N/A | 11.70 | N/A | N/A | |
| | One Sided w/plate | 60 | 26.10 | 26.10 | 26.10 | N/A | N/A | N/A | 29.10 | N/A | N/A | N/A |
| | Passage | 10 | 26.10 | 26.10 | 26.10 | N/A | N/A | N/A | 29.10 | N/A | N/A | N/A |
| | Privacy | 20 | 30.00 | 30.00 | 30.00 | N/A | N/A | N/A | 33.30 | N/A | N/A | N/A |
| | Bath* | 26 | 31.90 | N/A | 31.90 | N/A | N/A | N/A | 35.20 | N/A | N/A | N/A |
| | Entry | 70 | 50.30 | 50.30 | 50.30 | N/A | N/A | N/A | 55.70 | N/A | N/A | N/A |
| | Classroom | 75 | 50.30 | 50.30 | 50.30 | N/A | N/A | N/A | 55.70 | N/A | N/A | N/A |
| Storeroom | 78 | 50.30 | 50.30 | 50.30 | N/A | N/A | N/A | 55.70 | N/A | N/A | N/A | |
| Cambridge (CB) | Dummy | 80 | 9.90 | 9.90 | 9.90 | 12.10 | 12.10 | 11.00 | 11.00 | 11.00 | 11.00 | 11.00 |
| | One Sided w/plate | 60 | 24.50 | 24.50 | 24.50 | 29.20 | 29.20 | 27.20 | 27.20 | 27.20 | 27.20 | 27.20 |
| | Passage | 10 | 24.50 | 24.50 | 24.50 | 29.20 | 29.20 | 27.20 | 27.20 | 27.20 | 27.20 | 27.20 |
| | Privacy | 20 | 28.10 | 28.10 | 28.10 | 33.30 | 33.30 | 31.20 | 31.20 | 31.20 | 31.20 | 31.20 |
| | Bath* | 26 | 29.70 | N/A | 29.70 | 35.00 | 35.00 | 33.00 | 33.00 | 33.00 | 33.00 | 33.00 |
| | Entry | 70 | 46.90 | 46.90 | 46.90 | 55.90 | 55.90 | 52.00 | 52.00 | 52.00 | 52.00 | 52.00 |
| | Classroom | 75 | 46.90 | 46.90 | 46.90 | 55.90 | 55.90 | 52.00 | 52.00 | 52.00 | 52.00 | 52.00 |
| Storeroom | 78 | 46.90 | 46.90 | 46.90 | 55.90 | 55.90 | 52.00 | 52.00 | 52.00 | 52.00 | 52.00 | |
| Dartmouth (DM) | Dummy | 80 | 18.30 | N/A | N/A | 22.50 | 22.50 | N/A | 21.40 | N/A | 21.40 | N/A |
| | One Sided w/plate | 60 | 42.00 | N/A | N/A | 51.00 | 51.00 | N/A | 49.00 | N/A | 49.00 | N/A |
| | Passage | 10 | 42.00 | N/A | N/A | 51.00 | 51.00 | N/A | 49.00 | N/A | 49.00 | N/A |
| | Privacy | 20 | 45.20 | N/A | N/A | 54.90 | 54.90 | N/A | 52.80 | N/A | 52.80 | N/A |
| | Entry | 70 | 66.00 | N/A | N/A | 75.70 | 75.70 | N/A | 73.60 | N/A | 73.60 | N/A |
| | Classroom | 75 | 66.00 | N/A | N/A | 75.70 | 75.70 | N/A | 73.60 | N/A | 73.60 | N/A |
| | Storeroom | 78 | 66.00 | N/A | N/A | 75.70 | 75.70 | N/A | 73.60 | N/A | 73.60 | N/A |
| Oxford (XF) | Dummy | 80 | 10.50 | N/A | N/A | N/A | 13.30 | 12.30 | 12.30 | N/A | N/A | N/A |
| | One Sided w/plate | 60 | 25.80 | N/A | N/A | N/A | 32.60 | 30.50 | 30.50 | N/A | N/A | N/A |
| | Passage | 10 | 25.80 | N/A | N/A | N/A | 32.60 | 30.50 | 30.50 | N/A | N/A | N/A |
| | Privacy | 20 | 29.60 | N/A | N/A | N/A | 36.90 | 34.80 | 34.80 | N/A | N/A | N/A |
| | Entry | 70 | 49.50 | N/A | N/A | N/A | 57.70 | 55.60 | 55.60 | N/A | N/A | N/A |
| | Classroom | 75 | 49.50 | N/A | N/A | N/A | 57.70 | 55.60 | 55.60 | N/A | N/A | N/A |
| | Storeroom | 78 | 49.50 | N/A | N/A | N/A | 57.70 | 55.60 | 55.60 | N/A | N/A | N/A |

| Available Options – Box Pack Only | List Price | Upcharge |
|--|--------------|----------|
| Rosettes - Traditional, Oval | Full Lockset | 20.00 |
| Rosettes - Traditional, Oval | Dummy | 10.00 |
| Rosettes - Flat Round | Full Lockset | 9.00 |
| Rosettes - Flat Round | Dummy | 4.50 |
| Rosettes - Flat Square | Full Lockset | 11.60 |
| Rosettes - Flat Square | Dummy | 5.80 |
| Accessory Stemmed Dummy Plate | 073003 | 4.50 |
| (allows 2 dummies to be installed on a through bored door) | | |
| Clearview Packaging (Levers are KA2, Knobs are KA3) | | 2.00 |
| UL 90 Minute listing | | 5.80 |
| UL 90 Minute listing | Combo Sets | 11.60 |

| Available Options – Box Pack Only | List Price | Upcharge |
|---|------------|-----------------------|
| Page 67 YH Collection Series Latches | | NC when specified |
| Page 92 T-Strikes | | 1.40 |
| Page 92 A.S.A. 4 ⁷ / ₈ " Strike | | 6.80 |
| Page 92 Other Lockset Strikes | | NC when specified |
| Page 93 Additional keying options | | |
| Extension Kit 2 to 2 1/4" YH/NT Knobs/Levers (Thick Door Pack) # YR076100 | | 5.00 (specify finish) |

Knob Combo Set Price List

Combo Sets Include 1 Entry Knob with 1 Single or 1 Double Deadbolt



BOX PACK LIST PRICE With Premier Deadbolt - No Clearview

| DESIGN | FUNCTION | NO | US3 | US26 | US26D | 10BE | 10BP | US5 | US15 | US15A | GM | BSP |
|-----------------|-----------------|------|-------|-------|-------|--------|--------|--------|--------|-----------|-------------|-----|
| | | | 605 | 625 | 626 | 613E | 609 | 619 | 620 | Gun Metal | Black Suede | |
| Bridgeport (BP) | Single Cylinder | D827 | 98.80 | 98.80 | 98.80 | N/A | N/A | N/A | 109.10 | N/A | N/A | NA |
| Cambridge (CB) | Single Cylinder | D827 | 95.40 | 95.40 | 95.40 | 120.70 | 120.70 | 105.40 | 105.40 | 105.40 | 105.40 | N/A |
| Dartmouth (DM) | Single Cylinder | D827 | N/A | N/A | N/A | 140.50 | 140.50 | N/A | 127.00 | N/A | 127.00 | N/A |
| Oxford (XF) | Single Cylinder | D827 | N/A | N/A | N/A | 122.50 | 122.50 | 109.00 | 109.00 | N/A | N/A | N/A |

BOX PACK LIST PRICE With Select Deadbolt - No Clearview

| DESIGN | FUNCTION | NO | US3 | US26 | US26D | 10BE | 10BP | US5 | US15 | US15A | GM | BSP |
|-----------------|-----------------|------|--------|--------|--------|--------|--------|--------|--------|-----------|-------------|--------|
| | | | 605 | 625 | 626 | 613E | 609 | 619 | 620 | Gun Metal | Black Suede | |
| Bridgeport (BP) | Single Cylinder | D837 | 92.60 | 92.60 | 92.60 | N/A | N/A | N/A | 102.70 | N/A | N/A | N/A |
| | Double Cylinder | D857 | 107.10 | 107.10 | 107.10 | N/A | N/A | N/A | 113.70 | N/A | N/A | N/A |
| Cambridge (CB) | Single Cylinder | D837 | 89.20 | 89.20 | 89.20 | 113.80 | 113.80 | 99.00 | 99.00 | 99.00 | 99.00 | 99.00 |
| | Double Cylinder | D857 | 103.70 | 103.70 | 103.70 | 134.60 | 134.60 | 110.00 | 110.00 | 110.00 | 110.00 | 110.00 |
| Dartmouth (DM) | Single Cylinder | D837 | 108.30 | N/A | N/A | 133.60 | 133.60 | N/A | 120.60 | N/A | 120.60 | N/A |
| | Double Cylinder | D857 | 122.80 | N/A | N/A | 154.40 | 154.40 | N/A | 131.60 | N/A | 131.60 | N/A |
| Oxford (XF) | Single Cylinder | D837 | 91.80 | N/A | N/A | N/A | 115.60 | 102.60 | 102.60 | N/A | N/A | N/A |
| | Double Cylinder | D857 | 106.30 | N/A | N/A | N/A | 136.40 | 113.60 | 113.60 | N/A | N/A | N/A |

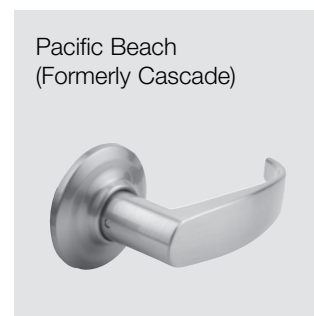
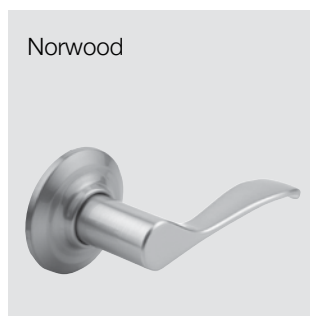
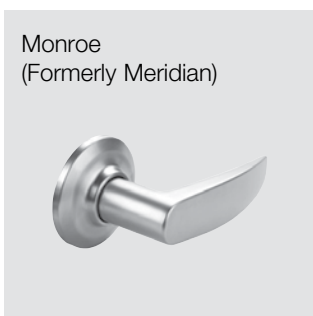
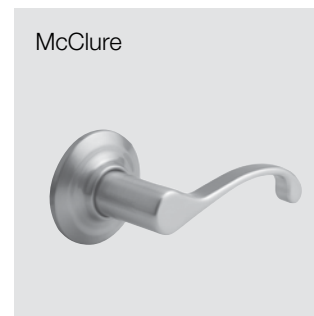
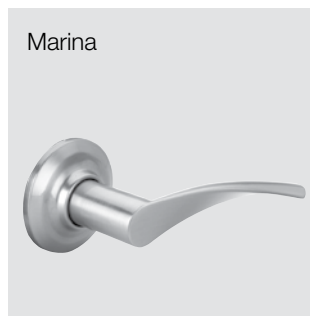
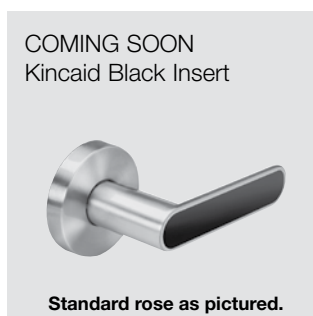
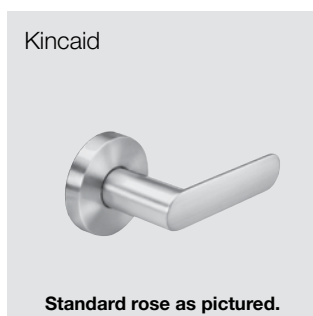
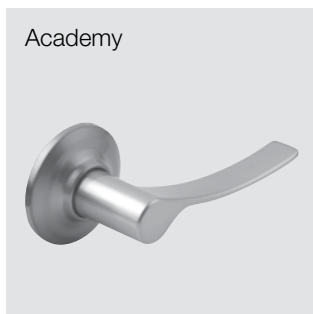
| Available Options – Box Pack Only | List Price Upcharge |
|--|---------------------|
| Rosettes - Traditional, Oval | Full Lockset 20.00 |
| Rosettes - Traditional, Oval | Dummy 10.00 |
| Rosettes - Flat Round | Full Lockset 9.00 |
| Rosettes - Flat Round | Dummy 4.50 |
| Rosettes - Flat Square | Full Lockset 11.60 |
| Rosettes - Flat Square | Dummy 5.80 |
| Accessory Stemmed Dummy Plate (allows 2 dummies to be installed on a through bored door) | 073003 4.50 |
| Clearview Packaging (Levers are KA2, Knobs are KA3) | 2.00 |
| UL 90 Minute listing | 5.80 |
| UL 90 Minute listing | Combo Sets 11.60 |

| Available Options – Box Pack Only | List Price Upcharge |
|---|-----------------------|
| Page 67 YH Collection Series Latches | NC when specified |
| Page 92 T-Strikes | 1.40 |
| Page 92 A.S.A. 4 7/8" Strike | 6.80 |
| Page 92 Other Lockset Strikes | NC when specified |
| Page 93 Additional keying options | |
| Extension Kit 2 to 2 1/4" YH/NT Knobs/Levers (Thick Door Pack) # YR076100 | 5.00 (specify finish) |

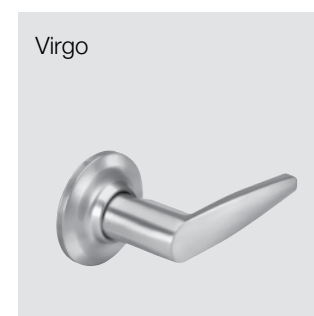
NOTE: All YH Collection lever/knob entry function leversets will be shipped with the Bridgeport knob unless otherwise specified. All YH Collection knobs are available. See Page 55. YH Collection levers are designed to be reversible to eliminate handing (except for the single dummy, Function #81, and entry functions (Function #72). For the single dummy (Function #81) and entry functions (Function #72), please specify handing either right hand (RH) or left hand (LH) when ordering these functions, or when ordering split finishes.

YH Collection™ from Yale®

Levers



YH Collection levers offer a range of designs with sculptured roses and delicately crafted curves. The “non-handed” design and strength of the interior sub-assemblies allow for quick and easy installation and years of secure operation. All YH Collection products are ANSI Grade 2 superior light commercial quality.



YH Collection™ from Yale®

Levers



Functions

| FUNCTION | NO. | DESCRIPTION |
|----------|------|---|
| | 81 | DUMMY: For doors where only pull is required. (handing required) |
| | 11 | PASSAGE: Latchbolt is operated by either lever at all times. (non-handed) |
| | 61 | ONE SIDED W/PLATE: Latchbolt is operated by lever on one side only. (handing required) |
| | 21 | PRIVACY: Latchbolt is operated by either lever except when inside lever is locked by push button. Push button is released by coin release slot on outside or by turning inside lever. (non-handed) |
| | 22 | BATHROOM: Same function as 21 privacy with US26 finish on interior lever. (handing required) |
| | 71 | ENTRY (LEVER/LEVER): Guarded latchbolt operated from outside by key; inside by lever. Push button locks outside lever. Outside lever unlocks by key or by turning inside lever. (non-handed) |
| | 73 | ENTRY (LEVER/LEVER): Guarded latchbolt operated from outside knob by key. Inside by lever. Turn button locks outside lever. Outside lever unlocks by key or turning inside turn button. (non-handed) |
| | 74LC | ENTRY (Lever/Lever): Guarded latchbolt with SFIC cylinder operated from outside lever by key. Inside by lever. Turn button locks outside lever. Outside lever unlocks by key or turning inside turn button. (non-handed) |
| | 76 | CLASSROOM: Guarded latchbolt operated by either lever except when outside lever is locked by outside key. Inside lever is always free. (handing required) |
| | 79 | STOREROOM: ADA Guarded latchbolt operated from outside lever by key; inside by lever. Outside lever fixed until cylinder is unlocked by key. Key captured until cylinder is locked. Inside lever is always free. (handing required) |

Standard Case Quantities - Enter the exact number of individual units required. As an example: If there are 24 units in a case and you require 1 case, enter 24 in the "quantity" space. See below for an example of standard case quantities.

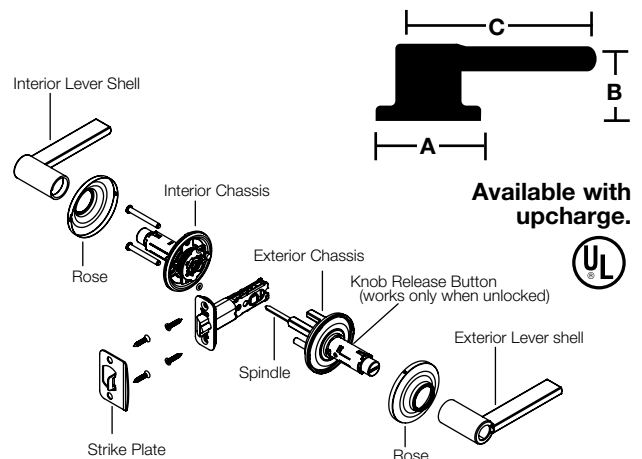
Standard Case Quantities (YH Collection)

| | Box Pack(SP) | Clear View(CV) |
|----------------------------|--------------|----------------|
| Dummy | 12 | 6 Pair |
| Knobs | 24 | 6 |
| Levers | 12 | 6 |
| Deadbolts | 12 | 6 |
| Combo Sets | 12 | 6 |
| Handlesets | 6 | N/A |
| Handlesets - Interior Pack | 6 | N/A |

Product Specifications

| | |
|----------------------------|--|
| Door Specs | 2 1/8" Face Bore, 1" Edge Bore, 2 3/8" or 2 3/4" Backset Box Pack: Latch Face 1" x 2 1/4" RC (Round corner; Square corner optional) |
| Latch | Box Pack: Adjustable 2 3/8" or 2 3/4" RC (Round Corner) |
| Door Thickness | 1 3/8" to 1 3/4" |
| Cylinder | 6 Pin KW-1 Standard (SC-1 Optional) |
| Keying | Box Pack: KA3 (Keyed Alike) |
| Faceplate | 1" W x 2 1/4" H RC (Round Corner) |
| Strike | Box Pack: 2 1/4" Full Lip RC (Round Corner) |
| Certified ANSI/BHMA | A156.2 Series 4000 Grade 2 |

| DIMENSIONS | A | B | C |
|----------------------|---------|---------|----------|
| Academy | 2 9/16" | 2 7/16" | 4 19/64" |
| Augusta | 2 9/16" | 2 1/2" | 4 3/4" |
| Charleston | 2 9/16" | 2 1/2" | 5 3/8" |
| Delaware | 2 9/16" | 2 3/4" | 4 5/8" |
| Kincaid | 2 9/16" | 2 7/16" | 4 1/2" |
| Kincaid Black Insert | 2 9/16" | 2 7/16" | 4 1/2" |
| Marina | 2 9/16" | 3 5/16" | 4 7/8" |
| McClure | 2 9/16" | 2 7/16" | 4 3/16" |
| Milan | 2 9/16" | 2 7/16" | 4 1/16" |
| Monroe | 2 9/16" | 2 7/16" | 4 5/8" |
| Norwood | 2 9/16" | 2 1/2" | 4 7/32" |
| Pacific Beach | 2 9/16" | 2 7/16" | 4 3/4" |
| Valdosta | 2 9/16" | 2 1/2" | 4 5/8" |
| Virgo | 2 9/16" | 2 9/16" | 4 1/2" |



YH Collection™ from Yale®

Levers



Decorative Rosettes

Flat Round

Oval

Flat Square

Traditional

Pair with all 'YH' knob or lever styles through factory direct orders and QuickShip.

| Rosette Availability | US3 | US10BP | US15 | BSP | US26 | List Upcharge Full Lockset | Dummy |
|----------------------|-----|--------|------|-----|------|----------------------------|-------|
| Flat Round | | • | • | • | • | 9.00 | 4.50 |
| Flat Square | | • | • | • | • | 11.60 | 5.80 |
| Oval | • | • | • | | | 20.00 | 10.00 |
| Traditional | • | • | • | | | 20.00 | 10.00 |

Note: Decorative rosettes ship separate as kit.

BOX PACK LIST PRICE
Featuring Push Button Locking with Free Interiors

| DESIGN | FUNCTION | NO | US3 | US26 | US26D | 10BE | US10BP | US5 | US15 | US15A | GM | BSP |
|---------------------------------|-----------------------|-------|--------------|-----------------|--------------|-------|--------------|-----------------|--------------|-----------|-------------|--------------|
| | | | 605 | 625 | 626 | 613E | 609 | 619 | 620 | Gun Metal | Black Suede | |
| Academy (AC) | Dummy | 81 | N/A | N/A | 19.80 | N/A | N/A | 21.00 | 21.00 | N/A | N/A | N/A |
| | Passage | 11 | N/A | N/A | 46.40 | N/A | N/A | 49.10 | 49.10 | N/A | N/A | N/A |
| | One Sided w/plate | 61 | N/A | N/A | 46.40 | N/A | N/A | 49.10 | 49.10 | N/A | N/A | N/A |
| | Privacy** | 21 | N/A | N/A | 49.20 | N/A | N/A | 52.00 | 52.00 | N/A | N/A | N/A |
| | Entry (Lever/Lever)** | 71 | N/A | N/A | 80.40 | N/A | N/A | 83.20 | 83.20 | N/A | N/A | N/A |
| | Entry (T - Turn) | 73 | N/A | N/A | 80.40 | N/A | N/A | 83.20 | 83.20 | N/A | N/A | N/A |
| | Classroom | 76 | N/A | N/A | 80.40 | N/A | N/A | 83.20 | 83.20 | N/A | N/A | N/A |
| Storeroom | 79 | N/A | N/A | 80.40*** | N/A | N/A | 83.20 | 83.20*** | N/A | N/A | N/A | |
| Augusta (AU) (Formerly Citadel) | Dummy | 81 | 21.80 | N/A | 21.80 | 24.00 | 24.00 | 22.90 | 22.90 | N/A | N/A | N/A |
| | Passage | 11 | 50.10 | N/A | 50.10 | 55.00 | 55.00 | 53.00 | 53.00 | N/A | N/A | N/A |
| | One Sided w/plate | 61 | 50.10 | N/A | 50.10 | 55.00 | 55.00 | 53.00 | 53.00 | N/A | N/A | N/A |
| | Privacy** | 21 | 53.00 | N/A | 53.00 | 58.30 | 58.30 | 56.20 | 56.20 | N/A | N/A | N/A |
| | Entry (Lever/Lever)** | 71 | 84.20 | N/A | 84.20 | 89.50 | 89.50 | 87.40 | 87.40 | N/A | N/A | N/A |
| | Entry (T - Turn) | 73 | 84.20 | N/A | 84.20 | 89.50 | 89.50 | 87.40 | 87.40 | N/A | N/A | N/A |
| | Entry SFIC | 74LC | 84.20 | N/A | 84.20 | 89.50 | 89.50 | 87.40 | 87.40 | N/A | N/A | N/A |
| Classroom | 76 | 84.20 | N/A | 84.20 | 89.50 | 89.50 | 87.40 | 87.40 | N/A | N/A | N/A | |
| Storeroom | 79 | 84.20 | N/A | 84.20 | 89.50 | 89.50 | 87.40 | 87.40 | N/A | N/A | N/A | |
| COMING SOON Charleston (CH) | Dummy | 81 | N/A | N/A | 21.90 | 22.90 | N/A | N/A | 21.90 | N/A | N/A | 21.90 |
| | Passage | 11 | N/A | N/A | 54.10 | 56.20 | N/A | N/A | 54.10 | N/A | N/A | 54.10 |
| | One Sided w/plate | 61 | N/A | N/A | 54.10 | 56.20 | N/A | N/A | 54.10 | N/A | N/A | 54.10 |
| | Privacy** | 21 | N/A | N/A | 60.30 | 62.40 | N/A | N/A | 60.30 | N/A | N/A | 60.30 |
| | Bath* | 22 | N/A | N/A | N/A | N/A | N/A | N/A | N/A | N/A | N/A | N/A |
| | Entry (Lever/Lever)** | 71 | N/A | N/A | 91.50 | 93.60 | N/A | N/A | 91.50 | N/A | N/A | 91.50 |
| | Entry (T - Turn) | 73 | N/A | N/A | 91.50 | 93.60 | N/A | N/A | 91.50 | N/A | N/A | 91.50 |
| Classroom | 76 | N/A | N/A | 91.50 | 93.60 | N/A | N/A | 91.50 | N/A | N/A | 91.50 | |
| Storeroom | 79 | N/A | N/A | 91.50 | 93.60 | N/A | N/A | 91.50 | N/A | N/A | 91.50 | |
| Delaware (DW) | Dummy | 81 | N/A | 21.90 | 21.90 | 22.90 | 22.90 | N/A | 21.90 | N/A | N/A | 21.90 |
| | Passage | 11 | N/A | 54.10 | 54.10 | 56.20 | 56.20 | N/A | 54.10 | N/A | N/A | 54.10 |
| | One Sided w/plate | 61 | N/A | 54.10 | 54.10 | 56.20 | 56.20 | N/A | 54.10 | N/A | N/A | 54.10 |
| | Privacy** | 21 | N/A | 60.30 | 60.30 | 62.40 | 62.40 | N/A | 60.30 | N/A | N/A | 60.30 |
| | Bath* | 22 | N/A | 62.20 | 62.20 | 64.30 | 64.30 | N/A | 62.20 | N/A | N/A | 62.20 |
| | Entry (Lever/Lever)** | 71 | N/A | 91.50 | 91.50 | 93.60 | 93.60 | N/A | 91.50 | N/A | N/A | 91.50 |
| | Entry (T - Turn) | 73 | N/A | 91.50 | 91.50 | 93.60 | 93.60 | N/A | 91.50 | N/A | N/A | 91.50 |
| Classroom | 76 | N/A | 91.50 | 91.50 | 93.60 | 93.60 | N/A | 91.50 | N/A | N/A | 91.50 | |
| Storeroom | 79 | N/A | 91.50 | 91.50 | 93.60 | 93.60 | N/A | 91.50 | N/A | N/A | 91.50 | |
| Kincaid (KC) | Dummy | 81 | 20.80 | N/A | 20.80 | N/A | 22.90 | N/A | 21.90 | N/A | N/A | N/A |
| | Passage | 11 | 47.90 | N/A | 47.90 | N/A | 53.00 | N/A | 51.00 | N/A | N/A | N/A |
| | One Sided w/plate | 61 | 47.90 | N/A | 47.90 | N/A | 53.00 | N/A | 51.00 | N/A | N/A | N/A |
| | Privacy** | 21 | 50.80 | N/A | 50.80 | N/A | 56.40 | N/A | 54.30 | N/A | N/A | N/A |
| | Entry (Lever/Lever)** | 71 | 82.00 | N/A | 82.00 | N/A | 87.60 | N/A | 85.50 | N/A | N/A | N/A |
| | Entry (T - Turn) | 73 | 82.00 | N/A | 82.00 | N/A | 87.60 | N/A | 85.50 | N/A | N/A | N/A |
| | Classroom | 76 | 82.00 | N/A | 82.00 | N/A | 87.60 | N/A | 85.50 | N/A | N/A | N/A |
| Storeroom | 79 | 82.00 | N/A | 82.00 | N/A | 87.60 | N/A | 85.50 | N/A | N/A | N/A | |

* Bath Function has US26 Polished Chrome Interior
 ** ADA Push Button Locking
 *** UL: add 5.80 (in QuickShip only)

YH Collection™ from Yale®

Levers



BOX PACK LIST PRICE

Featuring Push Button Locking with Free Interiors

| DESIGN | FUNCTION BHMA | NO | US3 | US26 | US26D | 10BE | US10BP | US5 | US15 | US15A | GM | BSP |
|---|------------------------------|-----------|--------------|--------------|--------------|-------|--------------|--------------|--------------|--------------|--------------|----------------|
| | | | 605 | 625 | 626 | 613E | | 609 | 619 | 620 | Gun Metal | Black Suede |
| COMING | Dummy | 81 | 25.00 | N/A | N/A | N/A | 25.00 | N/A | 25.00 | N/A | N/A | N/A |
| SOON | Passage | 11 | 67.60 | N/A | N/A | N/A | 67.60 | N/A | 64.50 | N/A | N/A | N/A |
| Kincaid | Privacy** | 21 | 72.80 | N/A | N/A | N/A | 72.80 | N/A | 70.70 | N/A | N/A | N/A |
| Black Insert (check for availability) | Entry (Lever/Lever)** | 71 | 93.60 | N/A | N/A | N/A | 93.60 | N/A | 91.50 | N/A | N/A | N/A |
| | Classroom | 76 | 93.60 | N/A | N/A | N/A | 93.60 | N/A | 91.50 | N/A | N/A | N/A |
| | Storeroom | 79 | 93.60 | N/A | N/A | N/A | 93.60 | N/A | 91.50 | N/A | N/A | N/A |
| Marina (MA) | Dummy | 81 | N/A | 21.40 | 21.40 | 23.60 | 23.60 | N/A | 22.60 | N/A | 22.60 | N/A |
| | Passage | 11 | N/A | 49.30 | 49.30 | 54.60 | 54.60 | N/A | 52.50 | N/A | 52.50 | N/A |
| | One Sided w/plate | 61 | N/A | 49.30 | 49.30 | 54.60 | 54.60 | N/A | 52.50 | N/A | 52.50 | N/A |
| | Privacy* | 21 | N/A | 52.30 | 52.30 | 58.10 | 58.10 | N/A | 56.00 | N/A | 56.00 | N/A |
| | Bath* | 22 | N/A | N/A | 54.10 | 59.90 | 59.90 | N/A | 57.80 | N/A | 57.80 | N/A |
| | Entry (Lever/Lever)** | 71 | N/A | 83.50 | 83.50 | 91.10 | 91.10 | N/A | 89.00 | N/A | 89.00 | N/A |
| | Entry (T - Turn) | 73 | N/A | 83.50 | 83.50 | 91.10 | 91.10 | N/A | 89.00 | N/A | 89.00 | N/A |
| | Classroom | 76 | N/A | 83.50 | 83.50 | 91.10 | 91.10 | N/A | 89.00 | N/A | 89.00 | N/A |
| McClure (MC) | Dummy | 81 | 20.80 | N/A | 20.80 | 22.90 | 22.90 | N/A | 21.90 | 21.90 | N/A | N/A |
| | Passage | 11 | 47.80 | N/A | 47.80 | 53.00 | 53.00 | N/A | 51.00 | 51.00 | N/A | N/A |
| | One Sided w/plate | 61 | 47.80 | N/A | 47.80 | 53.00 | 53.00 | N/A | 51.00 | 51.00 | N/A | N/A |
| | Privacy** | 21 | 50.80 | N/A | 50.80 | 56.40 | 56.40 | N/A | 54.30 | 54.30 | N/A | N/A |
| | Entry (Lever/Lever)** | 71 | 82.00 | N/A | 82.00 | 87.60 | 87.60 | N/A | 85.50 | 85.50 | N/A | N/A |
| | Entry (T - Turn) | 73 | 82.00 | N/A | 82.00 | 87.60 | 87.60 | N/A | 85.50 | 85.50 | N/A | N/A |
| | Classroom | 76 | 82.00 | N/A | 82.00 | 87.60 | 87.60 | N/A | 85.50 | 85.50 | N/A | N/A |
| | Storeroom | 79 | 82.00 | N/A | 82.00 | 87.60 | 87.60 | N/A | 85.50 | 85.50 | N/A | N/A |
| Milan (MN) | Dummy | 81 | 20.80 | 20.80 | 20.80 | N/A | N/A | N/A | 21.90 | N/A | N/A | N/A |
| | Passage | 11 | 47.80 | 47.80 | 47.80 | N/A | N/A | N/A | 51.00 | N/A | N/A | N/A |
| | One Sided w/plate | 61 | 47.80 | 47.80 | 47.80 | N/A | N/A | N/A | 51.00 | N/A | N/A | N/A |
| | Privacy** | 21 | 50.80 | 50.80 | 50.80 | N/A | N/A | N/A | 54.30 | N/A | N/A | N/A |
| | Bath* | 22 | 52.50 | N/A | 52.50 | N/A | N/A | N/A | 56.20 | N/A | N/A | N/A |
| | Entry (Lever/Lever)** | 71 | 82.00 | 82.00 | 82.00 | N/A | N/A | N/A | 85.50 | N/A | N/A | N/A |
| | Entry (T - Turn) | 73 | 82.00 | 82.00 | 82.00 | N/A | N/A | N/A | 85.50 | N/A | N/A | N/A |
| | Classroom | 76 | 82.00 | 82.00 | 82.00 | N/A | N/A | N/A | 85.50 | N/A | N/A | N/A |
| Monroe (MO) (Formerly Meridian) | Dummy | 81 | 21.80 | N/A | 21.80 | N/A | N/A | N/A | 21.90 | N/A | N/A | N/A |
| | Passage | 11 | 54.10 | N/A | 54.10 | N/A | N/A | N/A | 54.10 | N/A | N/A | N/A |
| | One Sided w/plate | 61 | 54.10 | N/A | 54.10 | N/A | N/A | N/A | 54.10 | N/A | N/A | N/A |
| | Privacy** | 21 | 60.30 | N/A | 60.30 | N/A | N/A | N/A | 60.30 | N/A | N/A | N/A |
| | Entry (Lever/Lever)** | 71 | 91.50 | N/A | 91.50 | N/A | N/A | N/A | 91.50 | N/A | N/A | N/A |
| | Entry (T - Turn) | 73 | 91.50 | N/A | 91.50 | N/A | N/A | N/A | 91.50 | N/A | N/A | N/A |
| | Classroom | 76 | 91.50 | N/A | 91.50 | N/A | N/A | N/A | 91.50 | N/A | N/A | N/A |
| | Storeroom | 79 | 91.50 | N/A | 91.50 | N/A | N/A | N/A | 91.50 | N/A | N/A | N/A |
| Norwood (NW) | Dummy | 81 | 20.80 | 20.80 | 20.80 | 22.90 | 22.90 | 21.90 | 21.90 | 21.90 | 21.90 | 21.90 |
| | Passage | 11 | 47.80 | 47.80 | 47.80 | 53.00 | 53.00 | 51.00 | 51.00 | 51.00 | 51.00 | 51.00 |
| | One Sided w/plate | 61 | 47.80 | 47.80 | 47.80 | 53.00 | 53.00 | 51.00 | 51.00 | 51.00 | 51.00 | 51.00 |
| | Privacy** | 21 | 50.80 | 50.80 | 50.80 | 56.40 | 56.40 | 54.30 | 54.30 | 54.30 | 54.30 | 54.30 |
| | Bath* | 22 | 52.50 | 52.50 | 52.50 | 58.30 | 58.30 | 56.20 | 56.20 | 56.20 | 56.20 | 56.20 |
| | Entry (Lever/Lever)** | 71 | 83.70 | 83.70 | 83.70 | 87.60 | 87.60 | 87.40 | 87.40 | 87.40 | 87.40 | 87.40 |
| | Entry (T - Turn) | 73 | 83.70 | 83.70 | 83.70 | 87.60 | 87.60 | 87.40 | 87.40 | 87.40 | 87.40 | 87.40 |
| | Classroom | 76 | 83.70 | 83.70 | 83.70 | 87.60 | 87.60 | 87.40 | 87.40 | 87.40 | 87.40 | 87.40 |
| Storeroom | 79 | 83.70 | 83.70 | 83.70 | 87.60 | 87.60 | 87.40 | 87.40 | 87.40 | 87.40 | 87.40 | |

* Bath Function has US26 Polished Chrome Interior
 ** ADA Push Button Locking

YH Collection™ from Yale®

Levers



BOX PACK LIST PRICE

Featuring Push Button Locking with Free Interiors

| DESIGN | FUNCTION | NO | US3 605 | US26 625 | US26D 626 | 10BE 613E | US10BP | US5 609 | US15 619 | US15A 620 | GM Gun Metal | BSP Black Suede |
|--|-----------------------|-------|------------|-------------|--------------|--------------|--------|------------|-------------|--------------|--------------------|-----------------------|
| Pacific Beach (PB) (Formerly Cascade) | Dummy | 81 | 20.80 | 20.80 | 20.80 | N/A | N/A | 21.90 | 21.90 | N/A | N/A | N/A |
| | Passage | 11 | 47.80 | 47.80 | 47.80 | N/A | N/A | 51.00 | 51.00 | N/A | N/A | N/A |
| | One Sided w/plate | 61 | 47.80 | 47.80 | 47.80 | N/A | N/A | 51.00 | 51.00 | N/A | N/A | N/A |
| | Privacy** | 21 | 50.80 | 50.80 | 50.80 | N/A | N/A | 54.30 | 54.30 | N/A | N/A | N/A |
| | Bath* | 22 | 52.50 | 52.50 | 52.50 | N/A | N/A | 56.20 | 56.20 | N/A | N/A | N/A |
| | Entry (Lever/Lever)** | 71 | 83.70 | 83.70 | 83.70 | N/A | N/A | 87.40 | 87.40 | N/A | N/A | N/A |
| | Entry (T - Turn) | 73 | 83.70 | 83.70 | 83.70 | N/A | N/A | 87.40 | 87.40 | N/A | N/A | N/A |
| | Classroom | 76 | 83.70 | 83.70 | 83.70 | N/A | N/A | 87.40 | 87.40 | N/A | N/A | N/A |
| Storeroom | 79 | 83.70 | 83.70 | 83.70 | N/A | N/A | 87.40 | 87.40 | N/A | N/A | N/A | |
| Valdosta (VL) | Dummy | 81 | N/A | 21.90 | 21.90 | 22.90 | 22.90 | N/A | 21.90 | N/A | N/A | 21.90 |
| | Passage | 11 | N/A | 54.10 | 54.10 | 56.20 | 56.20 | N/A | 54.10 | N/A | N/A | 54.10 |
| | One Sided w/plate | 61 | N/A | 54.10 | 54.10 | 56.20 | 56.20 | N/A | 54.10 | N/A | N/A | 54.10 |
| | Privacy** | 21 | N/A | 60.30 | 60.30 | 62.40 | 62.40 | N/A | 60.30 | N/A | N/A | 60.30 |
| | Bath* | 22 | N/A | 62.20 | 62.20 | 64.30 | 64.30 | N/A | 62.20 | N/A | N/A | 62.20 |
| | Entry (Lever/Lever)** | 71 | N/A | 91.50 | 91.50 | 93.60 | 93.60 | N/A | 91.50 | N/A | N/A | 91.50 |
| | Entry (T - Turn) | 73 | N/A | 91.50 | 91.50 | 93.60 | 93.60 | N/A | 91.50 | N/A | N/A | 91.50 |
| | Classroom | 76 | N/A | 91.50 | 91.50 | 93.60 | 93.60 | N/A | 91.50 | N/A | N/A | 91.50 |
| Storeroom | 79 | N/A | 91.50 | 91.50 | 93.60 | 93.60 | N/A | 91.50 | N/A | N/A | 91.50 | |
| Virgo (VG) | Dummy | 81 | 20.80 | 20.80 | 20.80 | 22.90 | 22.90 | N/A | 21.90 | N/A | N/A | 21.90 |
| | Passage | 11 | 47.80 | 47.80 | 47.80 | 53.00 | 53.00 | N/A | 51.00 | N/A | N/A | 51.00 |
| | One Sided w/plate | 61 | 47.80 | 47.80 | 47.80 | 53.00 | 53.00 | N/A | 51.00 | N/A | N/A | 51.00 |
| | Privacy** | 21 | 50.80 | 50.80 | 50.80 | 56.40 | 56.40 | N/A | 54.30 | N/A | N/A | 54.30 |
| | Bath* | 22 | 52.50 | N/A | 52.50 | 58.20 | 58.20 | N/A | 56.20 | N/A | N/A | 56.20 |
| | Entry (Lever/Lever)** | 71 | 83.70 | 83.70 | 83.70 | 87.60 | 87.60 | N/A | 85.50 | N/A | N/A | 85.50 |
| | Entry (T - Turn) | 73 | 83.70 | 83.70 | 83.70 | 87.60 | 87.60 | N/A | 85.50 | N/A | N/A | 85.50 |
| | Classroom | 76 | 83.70 | 83.70 | 83.70 | 87.60 | 87.60 | N/A | 85.50 | N/A | N/A | 85.50 |
| Storeroom | 79 | 83.70 | 83.70 | 83.70 | 87.60 | 87.60 | N/A | 85.50 | N/A | N/A | 85.50 | |

* Bath Function has US26 Polished Chrome Interior
 ** ADA Push Button Locking

| Available Options – Box Pack Only | List Price Upcharge |
|---|---------------------|
| Rosettes - Traditional, Oval | Full Lockset 20.00 |
| Rosettes - Traditional, Oval | Dummy 10.00 |
| Rosettes - Flat Round | Full Lockset 9.00 |
| Rosettes - Flat Round | Dummy 4.50 |
| Rosettes - Flat Square | Full Lockset 11.60 |
| Rosettes - Flat Square | Dummy 5.80 |
| Accessory Stemmed Dummy Plate | 073003 4.50 |
| (allows a Dummy with Stems to be created from 2 Standard Dummy Trims) | |
| Clearview Packaging (Levers are KA2, Knobs are KA3) | 2.00 |
| UL 90 Minute listing | 5.80 |
| UL 90 Minute listing | Combo Sets 11.60 |

Available Options – Box Pack Only List Price Upcharge

| | | |
|---------|---|-----------------------|
| Page 67 | YH Collection Series Latches | NC when specified |
| Page 92 | T-Strikes | 1.40 |
| Page 92 | A.S.A. 4 7/8" Strike | 6.80 |
| Page 92 | Other Lockset Strikes | NC when specified |
| Page 93 | Additional keying options | |
| Page 93 | Para cylinder options | 3.00 |
| | GA Keyway | Add \$20.00 |
| | Extension Kit 2 to 2 1/4" YH/NT Knobs/ Levers (Thick Door Pack) # YR076100 | 5.00 (specify finish) |

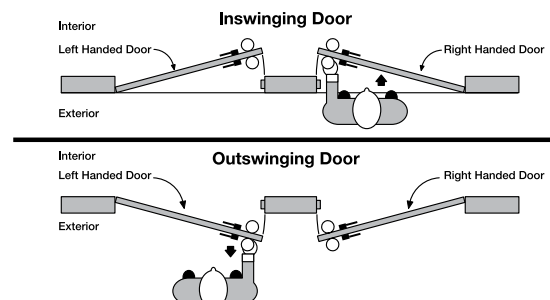
NOTE: All YH Collection lever/knob entry function leversets will be shipped with the Bridgeport knob unless otherwise specified. All YH Collection knobs are available. See Page 55. YH Collection levers are designed to be reversible to eliminate handing (except for the single dummy, Function #81, and entry functions (Function #72). For the single dummy (Function #81) and entry functions (Function #72), please specify handing either right hand (RH) or left hand (LH) when ordering these functions, or when ordering split finishes.

HOW TO DETERMINE HANDING OF DOORS

- The handing of a door is always determined by facing the exterior of a door.
- If the hinge is on the left side of the door, the door is left handed (LH).
- If the hinge is on the right side of the door, the door is right handed (RH).
- To order a handed product, specify LH or RH. Not all products are handed; only specify handing when required.



Storeroom, Classroom, Dummies, and Interior Packs require handing



YH Collection™ from Yale®

Deadbolts



82 Premier
Single Cylinder



83 Select
Single Cylinder



85 Select
Double Cylinder



87
One Sided with Plate





Contractors will appreciate our ongoing focus on builder functionality with these finely designed ANSI Grade 2 YH Collection deadbolts. The Premier Deadbolt “face-removable” design provides easy access to the solid brass cylinder without having to remove the deadbolt from the door. This is a significant benefit to multi-family and multi-unit projects commonly requiring re-keying. The Select Deadbolt offers ANSI Grade 2 strength and security with standard access to the cylinder.

YH Collection™ from Yale®

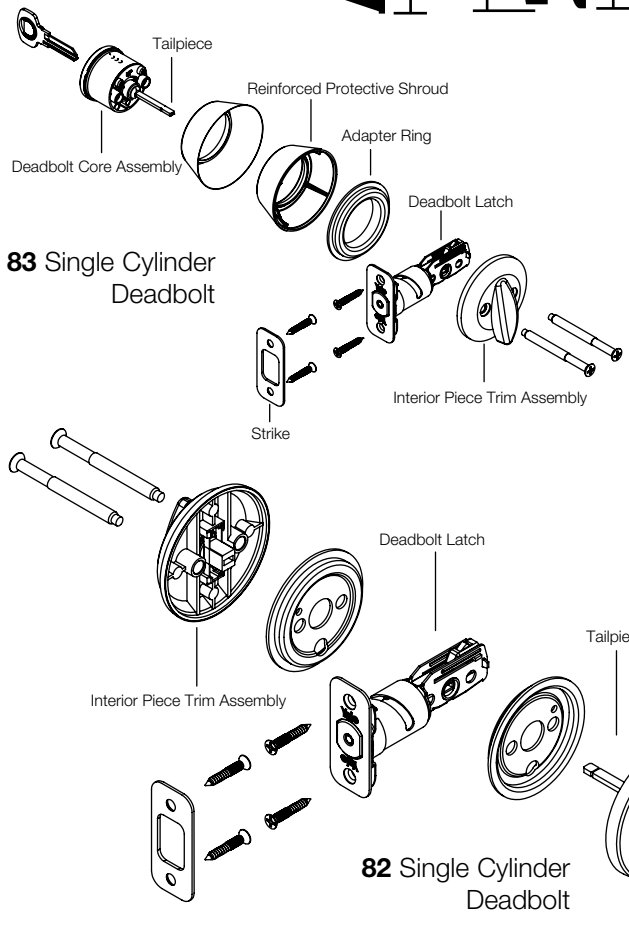
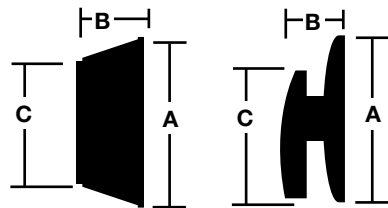
Deadbolts




Functions

| FUNCTION | NO. | DESCRIPTION |
|---|----------|--|
|  | 82 83 | SINGLE CYLINDER: Latch operated from outside by key, inside by T turn. |
|  | 85 | DOUBLE CYLINDER: Latch operated on either side by key. Concealed screws. |

| DIMENSIONS | A | B | C |
|--------------------|----------|---------|----------|
| 82 Single Exterior | 2 19/32" | 1 1/8" | 2" |
| 82 Single Interior | 2 19/32" | 1 9/64" | 1 31/32" |
| 83 Single Exterior | 2 1/2" | 1" | 1 7/8" |
| 83 Single Interior | 2 1/2" | 1 7/8" | 2" |



Product Specifications

| | |
|----------------------------|--|
| Door Specs | 2 1/8" Face Bore, 1" Edge Bore, 2 3/8" or 2 3/4" Backset Box Pack: Latch Face 1" x 2 1/4" RC (Round corner; Square corner optional) |
| Latch | Box Pack: Adjustable 2 3/8" or 2 3/4" RC (Round Corner) |
| Door Thickness | 1 3/8" to 1 3/4" 2" to 2 1/4" Requires ext. Kit 07600* 83 Single Cylinder Select Series Only |
| Cylinder | 6 Pin KW-1 Standard (SC-1 Optional) |
| Keying | Box Pack: KA3 (Keyed Alike) |
| Faceplate | 1" W x 2 1/4" H RC (Round Corner) |
| Strike | Box Pack: 1" x 2 1/4" RC RC (Round Corner) |
| Certified ANSI/BHMA | A156.36 Series 4000  Grade 2 |

Standard Case Quantities - Enter the exact number of individual units required. As an example: If there are 24 units in a case and you require 1 case, enter 24 in the "quantity" space. See below for an example of standard case quantities.

| Standard Case Quantities (YH Collection) | | |
|--|--------------|----------------|
| | Box Pack(SP) | Clear View(CV) |
| Dummy | 12 | 6 Pair |
| Knobs | 24 | 6 |
| Levers | 12 | 6 |
| Deadbolts | 12 | 6 |
| Combo Sets | 12 | 6 |
| Handlesets | 6 | N/A |
| Handlesets - Interior Pack | 6 | N/A |

Available with upcharge.



YH Collection™ from Yale®

Deadbolts




BOX PACK LIST PRICE

| DESIGN | Deadbolts | NO | US3 605 | US26 625 | US26D 626 | 10BE 613E | 10BP | US5 609 | US15 619 | US15A 620 | GM Gun Metal | BSP Black Suede |
|--|-------------------|-----------|--------------|--------------|--------------|--------------|--------------|--------------|--------------|--------------|--------------------|-----------------------|
| Premier | Single Cyl | 82 | 48.50 | 48.50 | 48.50 | 64.80 | 64.80 | 53.40 | 53.40 | 53.40 | 53.40 | 53.40 |
| Premier Series features: Removable Cylinders without removing deadbolt from door, includes high security strike. | | | | | | | | | | | | |
| Select | Single Cyl | 83 | 42.30 | 42.30 | 42.30 | 57.90 | 57.90 | 47.00 | 47.00 | 47.00 | 47.00 | 47.00 |
| | Double Cyl | 85 | 56.80 | 56.80 | 56.80 | 78.70 | 78.70 | 58.00 | 58.00 | 58.00 | 58.00 | 58.00 |
| | One Sided w/plate | 87 | 29.60 | 29.60 | 29.60 | N/A | N/A | 31.00 | 31.00 | 31.00 | N/A | N/A |

STRIKES - AVAILABLE OPTIONS - BOX PACK ONLY

| ITEM | CORNER SPECS | MODEL NO | LIST PRICE UPCHARGE |
|--|-----------------|----------|---------------------|
| Standard 1" - 2¼" SC Strike | Square Corner | YR02082 | N/C when specified |
| Standard 1" - 2¼" RC Strike | Round Corner | YR02080 | N/C when specified |
| 1½" - 2¾" SC Universal Deadbolt Strike | Square Corner | YR02086 | N/C when specified |
| 1½" - 2¾" RC Universal Deadbolt Strike | Round Corner | YR02088 | N/C when specified |
| 1¼" - 3⅝" RC Maximum Security Strike | Round Corner | YR02081 | Add \$.70 |
| 1¼" - 3⅝" SC Maximum Security Strike | Square Corner | YR02083 | Add \$.70 |
| 1¼" - 2¼" RC Full Lip Strike | Round Corner | YR02084 | N/C when specified |

* Specify finish when ordering

| Available Options – Box Pack Only | List Price Upcharge |
|---|---------------------|
| Accessory Stemmed Dummy Plate <i>(allows a Dummy with Stems to be created from 2 Standard Dummy Trims)</i> | YR073003 4.50 |
| Clearview Packaging | 2.00 |
|  UL 90 Minute listing | 5.80 |
| UL 90 Minute listing Combo Sets | 11.60 |

| Available Options – Box Pack Only | List Price Upcharge |
|---|---------------------|
| Page 67 YH Collection Series Latches | NC when specified |
| Page 93 Additional keying options | |
| Page 93 Para cylinder options | 3.00 |

Latch Price List



BOX PACK LIST PRICE

| INTERIOR SPRING LATCHES | DESCRIPTION | DIMENSION | CORNER SPECS | MODEL NO | LIST PRICE |
|---|---|------------|---------------|----------|------------|
|  | 2 3/8" Spring Latch | 1 x 2 1/4" | Square Corner | YR01D05* | \$10.20 |
| | 2 3/8" Spring Latch | 1 x 2 1/4" | Round Corner | YR01D02* | \$10.20 |
|  | 2 3/4" Spring Latch | 1 x 2 1/4" | Square Corner | YR01D06* | \$10.20 |
| | 2 3/4" Spring Latch | 1 x 2 1/4" | Round Corner | YR01D08* | \$10.20 |
|  | 2 3/8" Spring Drive-In Latch | 1" Dia. | N/A | YR01D11* | \$10.20 |
|  | 2 3/4" Spring Drive-In Latch | 1" Dia. | N/A | YR01D13* | \$10.20 |
|  | 2 3/8"-2 3/4" Adj. Spring Latch | 1 x 2 1/4" | Square Corner | YR01D67* | \$10.20 |
| | 2 3/8"-2 3/4" Adj. Spring Latch | 1 x 2 1/4" | Round Corner | YR01D64* | \$10.20 |
|  | 2 3/8"-2 3/4" Adj. Spring Dr. In Latch | 1" Dia. | N/A | YR01D72* | \$10.20 |
| EXTERIOR DEADLOCKING LATCHES | DESCRIPTION | DIMENSION | CORNER SPECS | MODEL NO | LIST PRICE |
|  | 2 3/8" Deadlocking Latch | 1 x 2 1/4" | Square Corner | YR01D25* | \$10.20 |
| | 2 3/8" Deadlocking Latch | 1 x 2 1/4" | Round Corner | YR01D22* | \$10.20 |
|  | 2 3/4" Deadlocking Latch | 1 x 2 1/4" | Square Corner | YR01D26* | \$10.20 |
| | 2 3/4" Deadlocking Latch | 1 x 2 1/4" | Round Corner | YR01D28* | \$10.20 |
|  | 2 3/8" Deadlocking Dr. In Latch | 1" Dia. | N/A | YR01D32* | \$10.20 |
|  | 2 3/4" Deadlocking Dr. In Latch | 1" Dia. | N/A | YR01D34* | \$10.20 |
|  | 2 3/8"-2 3/4" Adj. Deadlocking Latch | 1 x 2 1/4" | Square Corner | YR01D60* | \$10.20 |
| | 2 3/8"-2 3/4" Adj. Deadlocking Latch | 1 x 2 1/4" | Round Corner | YR01D61* | \$10.20 |
|  | 2 3/8"-2 3/4" Adj. Deadlocking Dr. In Latch | 1" Dia. | N/A | YR01D63* | \$10.20 |
| ADJUSTABLE DEADBOLT LATCHES | DESCRIPTION | DIMENSION | CORNER SPECS | MODEL NO | LIST PRICE |
|  | 2 3/8"-2 3/4" Adj. Deadbolt Latch | | Square Corner | YR01D44* | \$10.20 |
| | 2 3/8"-2 3/4" Adj. Deadbolt Latch | | Round Corner | YR01D41* | \$10.20 |
|  | 2 3/8"-2 3/4" Adj. Deadbolt Drive-In Latch | 1" Dia. | N/A | YR01D47* | \$10.20 |

*Specify finish when ordering

New Traditions® from Yale®

Knobs

Doors Require Blocking

NEW
TRADITIONS®

Cirrus



Horizon



Oasis



Terra



Valley



The Yale® standard duty knobs from the New Traditions series offer outstanding strength, durability and simple, elegant designs highlighted by natural curves for comfort and ease of turning. The Cirrus, Horizon, Oasis, Terra, and Valley knobs are built to the highest quality standards. All New Traditions products are built on a steel Grade 3 chassis and feature concealed holding screws. In addition, all New Traditions products feature “Quick-Install,” a unique chassis design, which drastically reduces installation time. The New Traditions series offers all of these superb features at an incredible value.

New Traditions® from Yale®

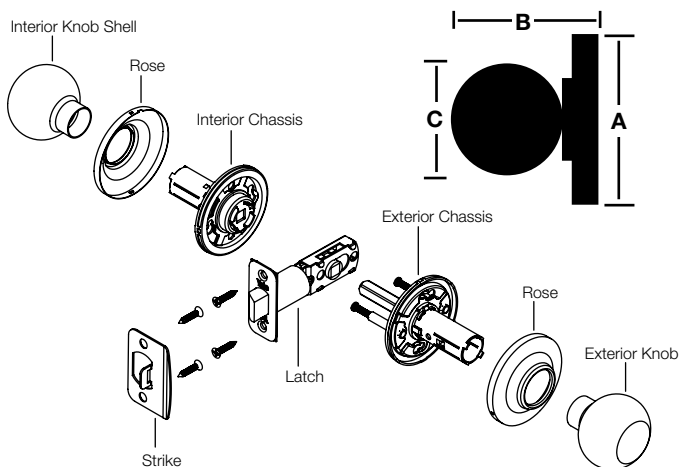
Knobs



Functions

| FUNCTION | NO. | DESCRIPTION |
|----------|-----|--|
| | 80 | DUMMY: For doors where only pull is required. |
| | 100 | PASSAGE: Latchbolt is operated by either knob at all times. |
| | 160 | ONE SIDED W/PLATE: Latchbolt is operated by knob on one side only. |
| | 200 | PRIVACY: Latchbolt is operated by either knob except when inside knob is locked by turn button. A special emergency key releases turn button and unlocks outside knob. |
| | 226 | BATHROOM: Same function as 200 privacy with US26 finish on interior knob. |
| | 700 | ENTRY: Guarded Latch bolt operated from outside by key. Inside by knob. Turn button Locks both knobs. Knobs unlock by Key outside or by rotating inside turn button. |
| | 780 | STOREROOM: Guarded latchbolt operated from outside knob by key inside by knob. Outside knob always fixed. Inside knob is always free. |

| DIMENSIONS | A | B | C |
|----------------|----------------------------------|----------------------------------|-----------------------------------|
| Cirrus | 2 ⁹ / ₁₆ " | 2 ¹ / ₂ " | 2" |
| Horizon | 2 ⁹ / ₁₆ " | 2 ¹ / ₄ " | 2" |
| Oasis | 2 ⁹ / ₁₆ " | 2 ¹ / ₄ " | 2" |
| Terra | 2 ⁹ / ₁₆ " | 2 ³ / ₈ " | 2 ¹ / ₂ " |
| Valley | 2 ⁹ / ₁₆ " | 2 ⁵ / ₁₆ " | 1 ¹⁵ / ₁₆ " |



Product Specifications

| | |
|----------------------------|--|
| Door Specs | 2 ¹ / ₈ " Face Bore, 1" Edge Bore, 2 ³ / ₈ " or 2 ³ / ₄ " Backset Box Pack: Latch Face 1" x 2 ¹ / ₄ " Round corner (Square corner optional) |
| Latch | Box Pack: Adjustable 2 ³ / ₈ " or 2 ³ / ₄ " RC (round corner) |
| Door Thickness | 1 ³ / ₈ " to 1 ³ / ₄ " |
| Cylinder | 5 Pin KW-1 Cylinder Standard (SC-1 Optional) |
| Keying | Box Pack: KA3 (Keyed Alike) Clear Pack: KA6 (Keyed Alike in sets of 6) |
| Faceplate | 1" W x 2 ¹ / ₄ " H RC (Round Corner) |
| Strike | Box Pack: 2 ¹ / ₄ " Full Lip RC (Round Corner) |
| Certified ANSI/BHMA | A156.2 Series 4000 Grade 3 |

Standard Case Quantities - Enter the exact number of individual units required. As an example: If there are 24 units in a case and you require 1 case, enter 24 in the "quantity" space. See below for an example of standard case quantities.

| Standard Case Quantities (<i>New Traditions</i>) | | |
|--|--------------|----------------|
| | Box Pack(SP) | Clear View(CV) |
| Dummy | 12 | 6 Pair |
| Knobs | 24 | 6 |
| Levers | 12 | 6 |
| Deadbolts | 12 | 6 |
| Combo Sets | 12 | 6 |
| Handlesets | 6 | N/A |
| Handlesets - Interior Pack | 6 | N/A |



Available with upcharge.

New Traditions® from Yale®

Knobs

NEW

TRADITIONS®

BOX PACK LIST PRICE

| DESIGN | FUNCTION BHMA | NO | US3 | US26 | US26D | 10BE | 10BP | US5 | US15 | US15A | GM | BSP |
|------------------------|-------------------|-----|--------------|--------------|--------------|-------|--------------|--------------|--------------|--------------|--------------|----------------|
| | | | 605 | 625 | 626 | 613E | 10BP | 609 | 619 | 620 | Gun Metal | Black Suede |
| Cirrus (C) | Dummy | 80 | 7.80 | 7.80 | 7.80 | 10.80 | 10.80 | N/A | 9.80 | 9.80 | 9.80 | N/A |
| | Passage | 100 | 18.90 | 18.90 | 18.90 | 23.80 | 23.80 | N/A | 21.80 | 21.80 | 21.80 | N/A |
| | One Sided w/plate | 160 | 18.90 | 18.90 | 18.90 | 23.80 | 23.80 | N/A | 21.80 | 21.80 | 21.80 | N/A |
| | Privacy | 200 | 20.90 | 20.90 | 20.90 | 25.70 | 25.70 | N/A | 23.60 | 23.60 | 23.60 | N/A |
| | Bath* | 226 | 22.10 | N/A | 22.10 | 27.00 | 27.00 | N/A | 25.00 | 25.00 | 25.00 | N/A |
| | Entry | 700 | 25.80 | 25.80 | 25.80 | 32.00 | 32.00 | N/A | 30.00 | 30.00 | 30.00 | N/A |
| | Storeroom | 780 | 26.10 | 26.10 | 26.10 | 32.80 | 32.80 | N/A | 30.70 | 30.70 | 30.70 | N/A |
| Horizon (H) | Dummy | 80 | 7.80 | 7.80 | 7.80 | 10.80 | 10.80 | 9.80 | 9.80 | 9.80 | 9.80 | 9.80 |
| | Passage | 100 | 18.90 | 18.90 | 18.90 | 23.80 | 23.80 | 21.80 | 21.80 | 21.80 | 21.80 | 21.80 |
| | One Sided w/plate | 160 | 18.90 | 18.90 | 18.90 | 23.80 | 23.80 | 21.80 | 21.80 | 21.80 | 21.80 | 21.80 |
| | Privacy | 200 | 20.90 | 20.90 | 20.90 | 25.70 | 25.70 | 23.60 | 23.60 | 23.60 | 23.60 | 23.60 |
| | Bath* | 226 | 22.10 | N/A | 22.10 | 27.00 | 27.00 | 25.00 | 25.00 | 25.00 | 25.00 | 25.00 |
| | Entry | 700 | 25.80 | 25.80 | 25.80 | 32.00 | 32.00 | 30.00 | 30.00 | 30.00 | 30.00 | 30.00 |
| | Storeroom | 780 | 26.10 | 26.10 | 26.10 | 32.80 | 32.80 | 30.70 | 30.70 | 30.70 | 30.70 | 30.70 |
| Oasis (O) | Dummy | 80 | N/A | N/A | N/A | N/A | 11.80 | N/A | 10.80 | N/A | N/A | N/A |
| | Passage | 100 | N/A | N/A | N/A | N/A | 25.60 | N/A | 23.50 | N/A | N/A | N/A |
| | One Sided w/plate | 160 | N/A | N/A | N/A | N/A | 25.60 | N/A | 23.50 | N/A | N/A | N/A |
| | Privacy | 200 | N/A | N/A | N/A | N/A | 28.10 | N/A | 26.00 | N/A | N/A | N/A |
| | Bath* | 226 | N/A | N/A | N/A | N/A | N/A | N/A | N/A | N/A | N/A | N/A |
| | Entry | 700 | N/A | N/A | N/A | N/A | 35.10 | N/A | 33.00 | N/A | N/A | N/A |
| | Storeroom | 780 | N/A | N/A | N/A | N/A | 35.80 | N/A | 33.70 | N/A | N/A | N/A |
| Terra (T) | Dummy | 80 | N/A | N/A | N/A | N/A | 14.80 | N/A | 13.80 | N/A | 13.80 | N/A |
| | Passage | 100 | N/A | N/A | N/A | N/A | 34.40 | N/A | 32.40 | N/A | 32.40 | N/A |
| | One Sided w/plate | 160 | N/A | N/A | N/A | N/A | 34.40 | N/A | 32.40 | N/A | 32.40 | N/A |
| | Privacy | 200 | N/A | N/A | N/A | N/A | 35.80 | N/A | 33.70 | N/A | 33.70 | N/A |
| | Bath* | 226 | N/A | N/A | N/A | N/A | N/A | N/A | N/A | N/A | N/A | N/A |
| | Entry | 700 | N/A | N/A | N/A | N/A | 50.80 | N/A | 48.70 | N/A | 48.70 | N/A |
| | Storeroom | 780 | N/A | N/A | N/A | N/A | 51.40 | N/A | 49.30 | N/A | 49.30 | N/A |
| Valley (V) | Dummy | 80 | 7.00 | N/A | 7.00 | N/A | N/A | N/A | N/A | N/A | N/A | N/A |
| | Passage | 100 | 16.70 | N/A | 16.70 | N/A | N/A | N/A | N/A | N/A | N/A | N/A |
| | One Sided w/plate | 160 | 16.70 | N/A | 16.70 | N/A | N/A | N/A | N/A | N/A | N/A | N/A |
| | Privacy | 200 | 18.20 | N/A | 18.20 | N/A | N/A | N/A | N/A | N/A | N/A | N/A |
| | Bath* | 226 | N/A | N/A | N/A | N/A | N/A | N/A | N/A | N/A | N/A | N/A |
| | Entry | 700 | 23.70 | N/A | 23.70 | N/A | N/A | N/A | N/A | N/A | N/A | N/A |
| | Storeroom | 780 | 24.20 | N/A | 24.20 | N/A | N/A | N/A | N/A | N/A | N/A | N/A |

*Bath Function has US26 Polished Chrome Interior

KNOB COMBO SET - BOX PACK LIST PRICE

Combo Sets Include 1 Entry Knob with 1 Single or 1 Double Deadbolt

| DESIGN | FUNCTION BHMA | NO | US3 | US26 | US26D | 613E | 10BP | US5 | US15 | US15A | GM | BSP |
|--------------------|------------------|-----|--------------|-------|--------------|--------------|--------------|--------------|--------------|--------------|--------------|----------------|
| | | | 605 | 625 | 626 | (10BE) | 10BP | 609 | 619 | 620 | Gun Metal | Black Suede |
| Cirrus (C) | Single Cylinder | 827 | 51.60 | 51.60 | 51.60 | 68.30 | 68.30 | N/A | 60.60 | 60.60 | 60.60 | N/A |
| | Double Cylinder | 847 | 59.30 | 59.30 | 59.30 | 77.60 | 77.60 | N/A | 68.70 | 68.70 | 68.70 | N/A |
| Horizon (H) | Single Cylinder | 827 | 51.60 | 51.60 | 51.60 | 68.30 | 68.30 | 60.60 | 60.60 | 60.60 | 60.60 | 60.60 |
| | Double Cylinder | 847 | 59.30 | 59.30 | 59.30 | 77.60 | 77.60 | 68.70 | 68.70 | 68.70 | 68.70 | 68.70 |
| Oasis (O) | Single Cylinder | 827 | N/A | N/A | N/A | N/A | 71.40 | N/A | 63.60 | N/A | N/A | N/A |
| | Double Cylinder | 847 | N/A | N/A | N/A | N/A | N/A | N/A | N/A | N/A | N/A | N/A |
| Terra (T) | Single Cylinder | 827 | N/A | N/A | N/A | N/A | 87.10 | N/A | 79.30 | N/A | 79.30 | N/A |
| | Double Cylinder | 847 | N/A | N/A | N/A | N/A | 96.40 | N/A | 87.40 | N/A | 87.40 | N/A |
| Valley (V) | Single Cylinder | 827 | 49.50 | N/A | 49.50 | N/A | N/A | N/A | N/A | N/A | N/A | N/A |
| | Double Cylinder | 847 | 57.20 | N/A | 57.20 | N/A | N/A | N/A | N/A | N/A | N/A | N/A |

Available Options - Box Pack Only

List Price Upcharge

| | | |
|--|------------|-------|
| Clearview Packaging | | 2.00 |
|  UL 90 Minute listing | | 5.80 |
|  UL 90 Minute listing | Combo Sets | 11.60 |

Available Options - Box Pack Only

List Price Upcharge

| | | |
|----------------|-------------------------------|-------------------|
| Page 77 | New Traditions Series Latches | NC when specified |
| Page 92 | T-Strikes | 1.40 |
| Page 92 | A.S.A. 4 1/8" Strike | 6.80 |
| Page 92 | Other Lockset Strikes | NC when specified |
| Page 93 | Additional keying options | |

Note: All New Traditions entry function leversets will be shipped with the Cirrus knob exterior unless otherwise specified. New Traditions levers are designed to be reversible to eliminate handing errors (except for the single dummy, function #81, and entry function #701). For the single dummy (function #81) and entry functions (function #701), please specify handing either right hand (RH) or left hand (LH) when ordering these functions, or when ordering split finishes.

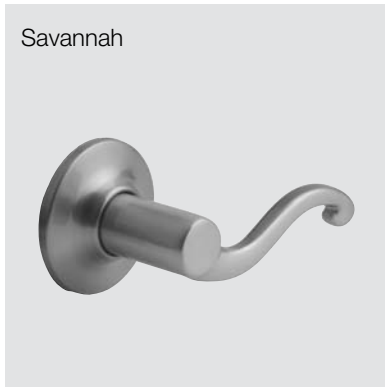
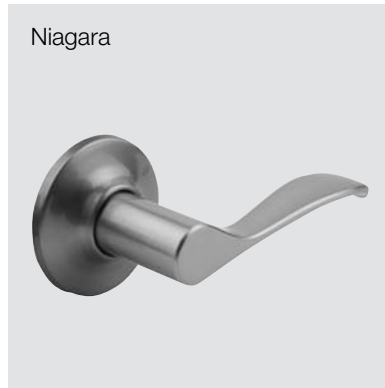
New Traditions® from Yale®

Levers

Doors Require Blocking



New Traditions® from Yale®



With concealed holding screws, and a strengthened square spindle, New Traditions products reflect an outstanding commitment to quality. Like the New Traditions knobs, the levers are exquisitely designed. With free-flowing curves and smooth edges, the Mesa, Niagara, Prairie, Savannah, Vidalia, and Woodland levers offer impeccable elegance at an exceptional price.

New Traditions® from Yale®

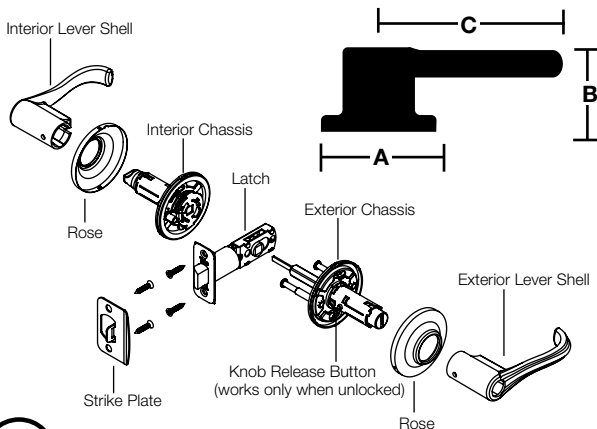
Levers



Functions

| FUNCTION | NO. | DESCRIPTION |
|----------|------|--|
| | 81 | DUMMY: For doors where only pull is required. (handing required) |
| | 101* | PASSAGE: Latchbolt is operated by either lever at all times. (non-handed) |
| | 161 | ONE SIDED W/PLATE: Latchbolt is operated by lever on one side only. (handing required) |
| | 201 | PRIVACY: Latchbolt is operated by either lever except when inside lever is locked by turn button. A coin turn releases turn button and unlocks outside lever. (non-handed) |
| | 221 | BATHROOM: Same function as 201 privacy with US26 finish on interior lever. (handing required) |
| | 701 | ENTRY(KNOB/LEVER): Guarded latch bolt operated from outside by key. Inside by lever. Turn button locks outside knob and inside lever. Both unlock by key outside or rotating turn button inside. |
| | 771 | ENTRY (LEVER/LEVER): Guarded latch bolt operated from outside lever by key. Inside by lever. Turn button locks both levers. Levers unlock by key or by turning inside turn button. |

| DIMENSIONS | A | B | C |
|------------|----------------------------------|----------------------------------|-----------------------------------|
| Mesa | 2 ⁹ / ₁₆ " | 2 ⁵ / ₈ " | 3 ¹ / ₄ " |
| Niagara | 2 ⁹ / ₁₆ " | 2 ¹ / ₂ " | 4 ⁷ / ₃₂ " |
| Savannah | 2 ⁹ / ₁₆ " | 2 ¹ / ₄ " | 3 ⁷ / ₈ " |
| Prairie | 2 ⁹ / ₁₆ " | 2 ⁷ / ₁₆ " | 4 ¹⁹ / ₆₄ " |
| Woodland | 2 ⁹ / ₁₆ " | 2 ⁵ / ₈ " | 3 ⁷ / ₈ " |



Product Specifications

| | |
|----------------------------|---|
| Door Specs | 2 ¹ / ₈ " Face Bore, 1" Edge Bore, 2 ⁵ / ₈ " or 2 ³ / ₄ " Backset Box Pack: Latch Face 1" x 2 ¹ / ₄ " Round corner (Square corner optional) |
| Latch | Box Pack: Adjustable 2 ⁵ / ₈ " or 2 ³ / ₄ " RC (round corner) |
| Door Thickness | 1 ⁵ / ₈ " to 1 ³ / ₄ " |
| Cylinder | 5 Pin KW-1 Cylinder Standard (SC-1 Optional) |
| Keying | Box Pack: KA3 (Keyed Alike) Clear Pack: KA3 (Keyed Alike in sets of 3) |
| Faceplate | 1" W x 2 ¹ / ₄ " H RC (Round Corner) |
| Strike | Box Pack: 2 ¹ / ₄ " Full Lip RC (Round Corner) |
| Certified ANSI/BHMA | A156.2 Series 4000 Grade 3 |

Standard Case Quantities - Enter the exact number of individual units required. As an example: If there are 24 units in a case and you require 1 case, enter 24 in the "quantity" space. See below for an example of standard case quantities.

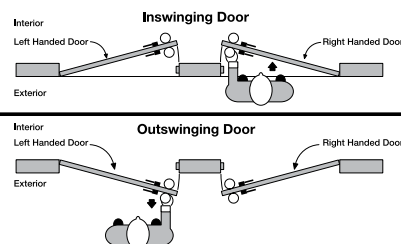
| | Box Pack(SP) | Clear View(CV) |
|-----------------------------------|--------------|----------------|
| Dummy | 12 | 6 Pair |
| Knobs | 24 | 6 |
| Levers | 12 | 6 |
| Deadbolts | 12 | 6 |
| Combo Sets | 12 | 6 |
| Handlesets | 6 | N/A |
| Handlesets - Interior Pack | 6 | N/A |

HOW TO DETERMINE HANDING OF DOORS

- The handing of a door is always determined by facing the exterior of a door.
 - If the hinge is on the left side of the door, the door is left handed (LH).
 - If the hinge is on the right side of the door, the door is right handed (RH).
 - To order a handed product, specify LH or RH.
- Not all products are handed; only specify handing when required.



Storeroom, Classroom, Dummies, and Interior Packs require handing



Available with upcharge.

New Traditions® from Yale®

Levers



Decorative Rosettes

Flat Round

Flat Square

Pair with all 'NT' lever styles through factory direct orders and QuickShip.

| Rosette Availability | US3 | US10BP | US15 | BSP | US26 | List Upcharge Full Lockset | Dummy |
|----------------------|-----|--------|------|-----|------|----------------------------|-------|
| Flat Round | | • | • | • | • | 9.00 | 4.50 |
| Flat Square | | • | • | • | • | 11.60 | 5.80 |

Note: Decorative rosettes ship separate as kit.

BOX PACK LIST PRICE

| Levers | DESIGN | FUNCTION | NO | US3 | US26 | US26D | 10BE | 10BP | US5 | US15 | US15A | GM | BSP |
|----------------------|---------------------------------------|--------------------|--------------|--------------|--------------|--------------|--------------|--------------|--------------|--------------|--------------|--------------|-----|
| | | | | 605 | 625 | 626 | 613E | 609 | 619 | 620 | Gun Metal | Black Suede | |
| Mesa (ML) | Featuring Quick Install Design | Dummy | 81 | N/A | N/A | 14.20 | 19.50 | N/A | 15.30 | 15.30 | N/A | N/A | N/A |
| | | Passage | 101 | N/A | N/A | 33.10 | 45.30 | N/A | 35.90 | 35.90 | N/A | N/A | N/A |
| | | One Sided w/plate | 161 | N/A | N/A | 33.10 | 45.30 | N/A | 35.90 | 35.90 | N/A | N/A | N/A |
| | | Privacy | 201 | N/A | N/A | 35.50 | 48.40 | N/A | 37.60 | 37.60 | N/A | N/A | N/A |
| | | Entry (Knob/Lever) | 701 | N/A | N/A | 48.50 | 67.10 | N/A | 51.40 | 51.40 | N/A | N/A | N/A |
| Niagara (NL) | Dummy | 81 | 14.80 | 14.80 | 14.80 | 17.20 | 17.20 | 16.10 | 16.10 | 16.10 | 16.10 | 16.10 | |
| | Passage | 101 | 35.20 | 35.20 | 35.20 | 40.00 | 40.00 | 37.90 | 37.90 | 37.90 | 37.90 | 37.90 | |
| | One Sided w/plate | 161 | 35.20 | 35.20 | 35.20 | 40.00 | 40.00 | 37.90 | 37.90 | 37.90 | 37.90 | 37.90 | |
| | Privacy | 201 | 37.20 | 37.20 | 37.20 | 41.60 | 41.60 | 39.50 | 39.50 | 39.50 | 39.50 | 39.50 | |
| | Bath* | 221 | 39.10 | N/A | 39.10 | 43.10 | 43.10 | 41.00 | 41.00 | 41.00 | 41.00 | 41.00 | |
| | Entry (Lever/Lever) | 771 | 52.80 | 52.80 | 52.80 | 57.20 | 57.20 | 55.10 | 55.10 | 55.10 | 55.10 | 55.10 | |
| Prairie (PL) | Dummy | 81 | N/A | 14.80 | 14.80 | N/A | N/A | 16.10 | 16.10 | N/A | N/A | N/A | |
| | Passage | 101 | N/A | 35.20 | 35.20 | N/A | N/A | 37.90 | 37.90 | N/A | N/A | N/A | |
| | One Sided w/plate | 161 | N/A | 35.20 | 35.20 | N/A | N/A | 37.90 | 37.90 | N/A | N/A | N/A | |
| | Privacy | 201 | N/A | 37.20 | 37.20 | N/A | N/A | 39.50 | 39.50 | N/A | N/A | N/A | |
| | Bath* | 221 | N/A | N/A | 39.10 | N/A | N/A | 41.00 | 41.00 | N/A | N/A | N/A | |
| | Entry (Lever/Lever) | 771 | N/A | 52.80 | 52.80 | N/A | N/A | 55.10 | 55.10 | N/A | N/A | N/A | |
| Savannah (SL) | Dummy | 81 | 14.80 | 14.80 | 14.80 | 17.20 | 17.20 | 16.10 | 16.10 | 16.10 | 16.10 | 16.10 | |
| | Passage | 101 | 35.20 | 35.20 | 35.20 | 40.00 | 40.00 | 37.90 | 37.90 | 37.90 | 37.90 | 37.90 | |
| | One Sided w/plate | 161 | 35.20 | 35.20 | 35.20 | 40.00 | 40.00 | 37.90 | 37.90 | 37.90 | 37.90 | 37.90 | |
| | Privacy | 201 | 37.20 | 37.20 | 37.20 | 41.60 | 41.60 | 39.50 | 39.50 | 39.50 | 39.50 | 39.50 | |
| | Bath* | 221 | 39.10 | N/A | 39.10 | 43.10 | 43.10 | 41.00 | 41.00 | 41.00 | 41.00 | 41.00 | |
| | Entry (Knob/Lever) | 701 | 52.00 | 52.00 | 52.00 | 56.20 | 56.20 | 54.10 | 54.10 | 54.10 | 54.10 | 54.10 | |
| | Entry (Lever/Lever) | 771 | 52.80 | 52.80 | 52.80 | 57.20 | 57.20 | 55.10 | 55.10 | 55.10 | 55.10 | 55.10 | |
| Vidalia (VI) | Dummy | 81 | N/A | N/A | 14.80 | N/A | 17.20 | N/A | 16.10 | N/A | N/A | 16.10 | |
| | Passage | 101 | N/A | N/A | 35.20 | N/A | 40.00 | N/A | 37.90 | N/A | N/A | 37.90 | |
| | One Sided w/plate | 161 | N/A | N/A | 35.20 | N/A | 40.00 | N/A | 37.90 | N/A | N/A | 37.90 | |
| | Privacy | 201 | N/A | N/A | 37.20 | N/A | 41.60 | N/A | 39.50 | N/A | N/A | 39.50 | |
| | Bath* | 221 | N/A | N/A | 39.10 | N/A | 43.10 | N/A | 41.00 | N/A | N/A | 41.00 | |
| | Entry (Lever/Lever) | 771 | N/A | N/A | 52.80 | N/A | 57.20 | N/A | 55.10 | N/A | N/A | 55.10 | |
| Woodland (WL) | Dummy | 81 | 14.80 | 14.80 | 14.80 | 17.20 | 17.20 | 16.10 | 16.10 | 16.10 | 16.10 | 16.10 | |
| | Passage | 101 | 35.20 | 35.20 | 35.20 | 40.00 | 40.00 | 37.90 | 37.90 | 37.90 | 37.90 | 37.90 | |
| | One Sided w/plate | 161 | 35.20 | 35.20 | 35.20 | 40.00 | 40.00 | 37.90 | 37.90 | 37.90 | 37.90 | 37.90 | |
| | Privacy | 201 | 37.20 | 37.20 | 37.20 | 41.60 | 41.60 | 39.50 | 39.50 | 39.50 | 39.50 | 39.50 | |
| | Bath* | 221 | 39.10 | N/A | 39.10 | 43.10 | 43.10 | 41.00 | 41.00 | 41.00 | 41.00 | 41.00 | |
| | Entry (Knob/Lever) | 701 | 52.00 | 52.00 | 52.00 | 56.20 | 56.20 | 54.10 | 54.10 | 54.10 | 54.10 | 54.10 | |
| | Entry (Lever/Lever) | 771 | 52.80 | 52.80 | 52.80 | 57.20 | 57.20 | 55.10 | 55.10 | 55.10 | 55.10 | 55.10 | |

*Bath Function has US26 Polished Chrome Interior

| Available Options – Box Pack Only | List Price Upcharge |
|--------------------------------------|---------------------|
| Clearview Packaging | 2.00 |
| UL 90 Minute listing | 5.80 |
| UL 90 Minute listing Combo Sets | 11.60 |

| Available Options – Box Pack Only | List Price Upcharge |
|--|---------------------|
| Page 77 New Traditions Series Latches | NC when specified |
| Page 92 T-Strikes | 1.40 |
| Page 92 A.S.A. 4 7/8" Strike | 6.80 |
| Page 92 Other Lockset Strikes | NC when specified |
| Page 93 Additional keying options | |

Note: All New Traditions entry function leversets will be shipped with the Cirrus knob exterior unless otherwise specified. New Traditions levers are designed to be reversible to eliminate handing errors (except for the single dummy function #81, and entry function #701). For the single dummy (function #81) and entry functions (function #701), please specify handing either right hand (RH) or left hand (LH) when ordering these functions, or when ordering split finishes.

New Traditions® from Yale®

Deadbolts

NEW
TRADITIONS®

810
Dummy



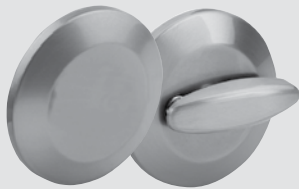
820
Single Cylinder



840
Double Cylinder



860
One Sided
with plate



880
One Way



820R
Single Cylinder



820S
Single Cylinder



The Yale 800 series deadbolts offer a variety of functions and finishes, and are compatible with all New Traditions leversets and knobsets. The 800 series deadbolts offer excellent strength and reliability, certified to an ANSI Grade 3.

New Traditions® from Yale®

Deadbolts



Functions

| FUNCTION | NO. | DESCRIPTION |
|----------|-----|---|
| | 810 | DUMMY: No cylinder, no latch |
| | 820 | SINGLE CYLINDER: Latch operated from the outside by key, inside by T-turn. |
| | 840 | DOUBLE CYLINDER: Latch operated from either side by the key. |
| | 860 | ONE SIDED DEADBOLT WITH PLATE: No cylinder. Latch operated by the T-turn on the inside. For doors bored completely through. |
| | 880 | ONE WAY: No cylinder. Latch operated by the T-turn on the inside. For doors not bored completely through. |

| DIMENSIONS | A | B | C |
|----------------------------|--------|---------|----------|
| 800 Interior | 2 1/2" | 1 5/16" | 2" |
| 800 Exterior | 2 1/2" | 1" | 1 7/8" |
| Flat Round/Square Interior | 2 1/2" | 7/8" | 1 15/16" |
| Flat Round/Square Exterior | 2 1/2" | 7/8" | 2 1/2" |

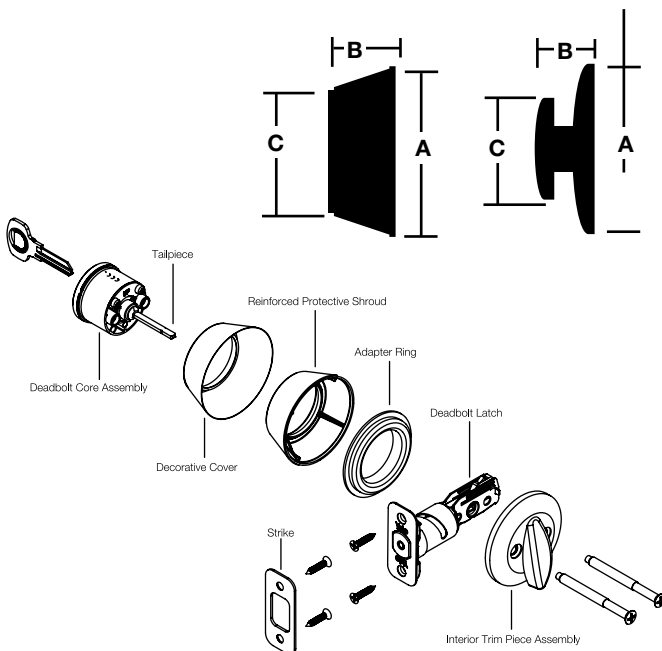
Product Specifications

| | |
|----------------------------|--|
| Door Specs | 2 1/8" Face Bore, 1" Edge Bore, Box Pack: Latch Face 1" x 2 1/4" Round corner (Square corner optional) |
| Latch | Box Pack: Adjustable 2 3/8" or 2 3/4" RC (round corner) |
| Door Thickness | 1 3/8" to 1 3/4" |
| Cylinder | 5 Pin KW-1 Cylinder Standard (SC-1 Optional) |
| Keying | Box Pack: KA3 (Keyed Alike) Clear Pack: KA3 (Keyed Alike in sets of 3) |
| Faceplate | 1" W x 2 1/4" H RC (Round Corner) |
| Strike | Box Pack: 1" x 2 1/4" RC RC (Round Corner) |
| Certified ANSI/BHMA | A156.36, Grade 3 |

Standard Case Quantities - Enter the exact number of individual units required. As an example: If there are 24 units in a case and you require 1 case, enter 24 in the "quantity" space. See below for an example of standard case quantities.

Standard Case Quantities (New Traditions)

| | Box Pack(SP) | Clear View(CV) |
|----------------------------|--------------|----------------|
| Dummy | 12 | 6 Pair |
| Knobs | 24 | 6 |
| Levers | 12 | 6 |
| Deadbolts | 12 | 6 |
| Combo Sets | 12 | 6 |
| Handlesets | 6 | N/A |
| Handlesets - Interior Pack | 6 | N/A |



Available with upcharge.

New Traditions® from Yale®

Deadbolts



BOX PACK LIST PRICE

| 800 SERIES DEADBOLTS | FUNCTION | NO BHMA | US3 605 | US26 625 | US26D 626 | 10BE 613E | US10BP | US5 609 | US15 619 | US15A 620 | GM Gun Metal | BSP Black Suede |
|----------------------|-------------------------------|-------------|--------------|--------------|--------------|-----------|--------------|--------------|--------------|--------------|--------------|-----------------|
| | Dummy | 810 | 17.30 | 17.30 | 17.30 | N/A | N/A | 20.59 | 20.59 | 20.59 | N/A | N/A |
| | Single Cylinder | 820 | 25.80 | 25.80 | 25.80 | 36.30 | 36.30 | 30.60 | 30.60 | 30.60 | 30.60 | 30.60 |
| | Double Cylinder | 840 | 33.50 | 33.50 | 33.50 | 45.60 | 45.60 | 38.70 | 38.70 | 38.70 | 38.70 | 38.70 |
| | One Sided W/Plate | 860 | 23.40 | 23.40 | 23.40 | 35.30 | 35.30 | 24.50 | 24.50 | 24.50 | 24.50 | 24.50 |
| | Oneway* | 880 | 13.30 | 13.30 | 13.30 | 18.30 | 18.30 | 15.10 | 15.10 | 15.10 | 15.10 | 15.10 |
| | Flat Round Single Cyl | 820R | 41.50 | 41.50 | 41.50 | 54.10 | 54.10 | 46.80 | 46.80 | 46.80 | 46.80 | 46.80 |
| | Flat Square Single Cyl | 820S | 41.50 | 41.50 | 41.50 | 54.10 | 54.10 | 46.80 | 46.80 | 46.80 | 46.80 | 46.80 |

*880 deadbolt available fixed latch only.

STRIKES - AVAILABLE OPTIONS - BOX PACK ONLY

| ITEM | CORNER SPECS | MODEL NO | LIST PRICE UPCHARGE |
|---|---------------|----------|---------------------|
| Standard 1" - 2 1/4" /SC Strike | Square Corner | YR02082 | N/C when specified |
| Standard 1" - 2 1/4" /RC Strike | Round Corner | YR02080 | N/C when specified |
| 1 1/8" - 2 3/4" /SC Strike | Square Corner | YR02086 | N/C when specified |
| 1 1/8" - 2 3/4" /RC Strike | Round Corner | YR02088 | N/C when specified |
| 1 1/4" - 3 5/8" /RC Maximum Security Strike | Square Corner | YR02081 | Add \$.80 |
| 1 1/4" - 3 5/8" /SC Maximum Security Strike | Round Corner | YR02083 | Add \$.80 |
| 1 3/4" - 2 1/4" /RC Full Lip Strike | Round Corner | YR02084 | N/C when specified |
| Screw Pack (4 each 3" Screws) | | 08818* | 1.50 |

* Specify finish when ordering

Available Options – Box Pack Only

List Price Upcharge

| | |
|--|-------|
| Clearview Packaging (Levers are KA2, Knobs are KA3) | 2.00 |
|  UL 90 Minute listing | 5.80 |
| UL 90 Minute listing Combo Sets | 11.60 |

YALE NEW TRADITIONS CLEARVIEW PROGRAM

| | | US3 | US15 | 10BP |
|----------------------|-------------|----------------------------|--------------|--------------|
| Horizon | Dummy- Pair | 17.60 | 21.60 | |
| | Passage | RCADJ/RCS | 20.90 | 23.80 |
| | Privacy | RCADJ/RCS | 22.90 | 25.60 |
| | Entry KA3 | SC-1 KA3/RCADJ/RCS | 27.80 | 32.00 |
| | Combo /820 | SC-1 KA3/RCADJ/RCS:020896 | 53.60 | 62.60 |
| Oasis | Dummy- Pair | | 23.60 | 25.60 |
| | Passage | RCADJ/RCS | 23.80 | 27.60 |
| | Privacy | RCADJ/RCS | 25.60 | 30.10 |
| | Entry KA3 | SC-1 KA3/RCADJ/RCS | 32.00 | 37.10 |
| | Combo /820 | SC-1 KA3/RCADJ/RCS: 020896 | | 65.60 |
| Niagara | Dummy- Pair | | 34.20 | 36.40 |
| | Passage | RCADJ/RCS: 020896 | 39.90 | 42.00 |
| | Privacy | RCADJ/RCS: 020896 | 41.50 | 43.60 |
| | Entry KA3 | SC-1 KA3/RCADJ/RCS: 020896 | 57.10 | 59.20 |
| | Woodland | Dummy- Pair | | 34.20 |
| Passage | | RCADJ/RCS: 020896 | 39.90 | |
| Privacy | | RCADJ/RCS: 020896 | 41.50 | |
| Entry KA3 | | SC-1 KA3/RCADJ/RCS: 020896 | 57.10 | |
| Vidalia | Dummy- Pair | | 34.20 | 36.40 |
| | Passage | RCADJ/RCS: 020896 | 39.90 | 42.00 |
| | Privacy | RCADJ/RCS: 020896 | 41.50 | 43.60 |
| | Entry KA3 | SC-1 KA3/RCADJ/RCS: 020896 | 57.10 | 59.20 |
| 820 Sgl Cyl Deadbolt | Deadbolt | SC-1 KA3/RCADJ/RCS: 020896 | 27.80 | 32.60 |
| | Deadbolt | SC-1 KA3/RCADJ/RCS: 020891 | | 47.60 |

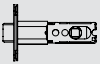
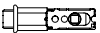
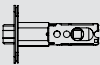
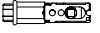


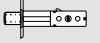



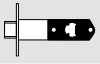
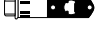


All clearview must be ordered in full carton multiples. Packaged 6 per carton.
 \$150.00 + is freight free.
 Clearview product stock in Berlin with SC-1 cylinder only.

New Traditions® from Yale®

Latch Price List



BOX PACK LIST PRICE

| INTERIOR SPRING LATCHES | DESCRIPTION | DIMENSION | CORNER SPECS | MODEL NO | LIST PRICE |
|---|---|------------|---------------|----------|------------|
|  | 2 3/8"-2 3/4" Adj. Spring Latch | 1 x 2 1/4" | Square Corner | YR01464* | \$5.70 |
| | 2 3/8"-2 3/4" Adj. Spring Latch | 1 x 2 1/4" | Round Corner | YR01461* | \$5.70 |
|  | 2 3/8"-2 3/4" Drive-In Spring Latch | 1" Dia. | N/A | YR01467* | \$5.70 |
| EXTERIOR DEADLOCKING LATCHES | DESCRIPTION | DIMENSION | CORNER SPECS | MODEL NO | LIST PRICE |
|  | 2 3/8"-2 3/4" Adj. Deadlocking Latch | 1 x 2 1/4" | Square Corner | YR01474* | \$6.20 |
| | 2 3/8"-2 3/4" Adj. Deadlocking Latch | 1 x 2 1/4" | Round Corner | YR01471* | \$6.20 |
|  | 2 3/8"-2 3/4" Adj. Deadlocking Drive-In Latch | 1" Dia. | N/A | YR01477* | \$6.20 |
| DEADBOLT LATCHES 880 Deadbolt Only | DESCRIPTION | DIMENSION | CORNER SPECS | MODEL NO | LIST PRICE |
|  | 2 3/8" Deadbolt Latch | 1 x 2 1/4" | Square Corner | YR01445* | \$10.20 |
| | 2 3/8" Deadbolt Latch | 1 x 2 1/4" | Round Corner | YR01442* | \$10.20 |
|  | 2 3/8" Deadbolt Drive-In Latch | 1" Dia. | N/A | YR01448* | \$10.20 |
|  | 2 3/4" Deadbolt Latch | 1 x 2 1/4" | Square Corner | YR01446* | \$10.20 |
| | 2 3/4" Deadbolt Latch | 1 x 2 1/4" | Round Corner | YR01443* | \$10.20 |
|  | 2 3/4" Deadbolt Drive-In Latch | 1" Dia. | N/A | YR01449* | \$10.20 |
| ADJUSTABLE DEADBOLT LATCHES 820, 840, 860 Deadbolts & Handlesets | DESCRIPTION | DIMENSION | CORNER SPECS | MODEL NO | LIST PRICE |
|  | 2 3/8"-2 3/4" Adj. Deadbolt Latch | | Square Corner | YR01D44* | \$10.20 |
|  | 2 3/8"-2 3/4" Adj. Deadbolt Latch | | Round Corner | YR01D41* | \$10.20 |
| | 2 3/8"-2 3/4" Adj. Deadbolt Drive-In Latch | 1" Dia. | N/A | YR01D47* | \$10.20 |
| Latches below for Locks produced before September 2015 | | | | | |
| INTERIOR SPRING LATCHES | DESCRIPTION | DIMENSION | CORNER SPECS | MODEL NO | LIST PRICE |
|  | 2 3/8"-2 3/4" Adj. Spring Latch | 1 x 2 1/4" | Square Corner | YR01414* | \$5.70 |
| | 2 3/8"-2 3/4" Adj. Spring Latch | 1 x 2 1/4" | Round Corner | YR01411* | \$5.70 |
|  | 2 3/8"-2 3/4" Drive-In Latch | 1" Dia. | N/A | YR01417* | \$5.70 |
| EXTERIOR DEADLOCKING LATCHES | DESCRIPTION | DIMENSION | CORNER SPECS | MODEL NO | LIST PRICE |
|  | 2 3/8"-2 3/4" Adj. Deadlocking Latch | 1 x 2 1/4" | Square Corner | YR01424* | \$6.20 |
| | 2 3/8"-2 3/4" Adj. Deadlocking Latch | 1 x 2 1/4" | Round Corner | YR01421* | \$6.20 |
|  | 2 3/8"-2 3/4" Adj. Deadlocking Drive-In Latch | 1" Dia. | N/A | YR01427* | \$6.20 |

*Specify finish when ordering

Decorative Handlesets

Homestead



Jamestown



McKinley



Pedestal



Rainier






Teton



Our decorative handlesets combine elegance with ease of installation. These designs offer balanced torque springs on a split-hub for ease of opening, solid thumb pieces, and finishes utilizing the world's most advanced clear coat technology. Designed to fit most American-made doors, each handleset comes with easy-to-read installation instructions.

Decorative Handlesets

Functions

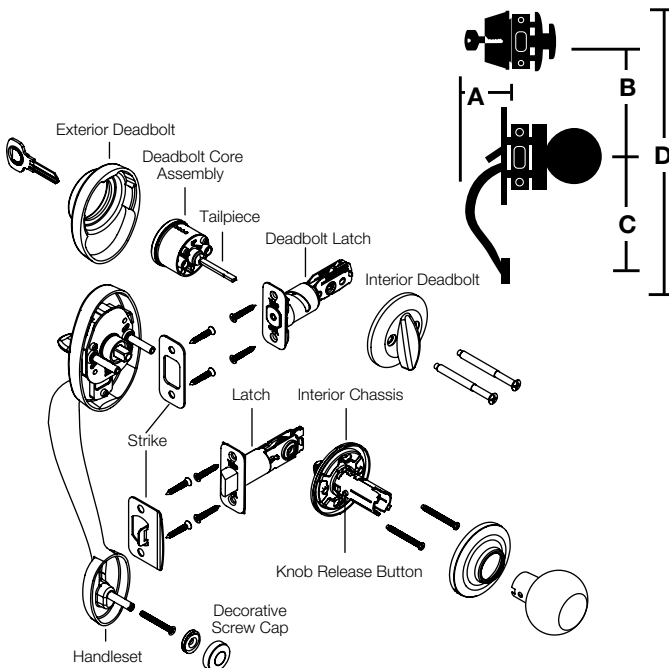
| FUNCTION | NO. | DESCRIPTION |
|---|---|---|
|  | 681 682 983 984 986 987 988 | DUMMY: For on-working side of double doors. Non-functioning deadbolt, knob or lever. |
|  | 621 622 923 924 926 927 928 | SINGLE CYLINDER: Thumbpiece retracts latch from exterior side. Knob or lever retracts latch from interior side. Deadbolt latch retracts with key from exterior side, T-turn retracts deadbolt latch from interior side. |
|  | 641 642 944 946 947 | DOUBLE CYLINDER: Thumbpiece retracts latch from exterior side. Knob or lever retracts latch from interior side. Deadbolt latch retracts with key from exterior side and interior side. |

| DIMENSIONS | A | B | C | D |
|------------------|-----------------------------------|---------------------------------|-----------------------------------|----------------------------------|
| Homestead | 2 ³ / ₈ " | 5 ¹ / ₂ " | 9 ¹¹ / ₁₆ " | 18" |
| Jamestown | 2 ³ / ₈ " | 5 ¹ / ₂ " | 9 ¹¹ / ₁₆ " | 18" |
| McKinley | 2 ³ / ₈ " | 5 ¹ / ₂ " | 9 ¹¹ / ₁₆ " | 18" |
| Pedestal | 2 ¹¹ / ₁₆ " | 5 ¹ / ₂ " | 9 ¹¹ / ₁₆ " | 18 ¹ / ₂ " |
| Rainier | 2 ³ / ₈ " | 5 ¹ / ₂ " | 9 ¹¹ / ₁₆ " | 18" |
| Teton | 2 ³ / ₈ " | 5 ¹ / ₂ " | 9 ¹¹ / ₁₆ " | 18" |

Product Specifications

| | |
|------------------------|---|
| Door Specs | 2 ¹ / ₈ " Face Bore, 1" Edge Bore, 5 ¹ / ₂ " O.C. Box Pack: Latch Face 1" x 2 ¹ / ₄ " RC (Round Corner) |
| Latch | Box Pack: 2 ³ / ₈ " RC (Round Corner) Deadbolt: 23/8"-23/4" ADJ. RC (Round Corner) Deadbolt: 2 ³ / ₈ "-2 ³ / ₄ " ADJ. SC (Square Corner) |
| Door Thickness | 1 ³ / ₄ " 2" to 2 ¹ / ₄ " Requires Ext. Kit 07600 |
| Cylinder Keying | KW-1 Compatible Box Pack: KD (Keyed Different) |
| Faceplate | 1" W x 2 ¹ / ₄ " H RC (Round Corner) |
| Strike | Box Pack: Spring latch 2 ¹ / ₄ " Full Lip RC (Round Corner) Deadbolt: 1"x 2 ¹ / ₄ " RC (Round Corner) Deadbolt: 1"x 2 ¹ / ₄ " SC (Square Corner) |
| Interior Trim | Specify Interior Trim Style |

Standard Case Quantities - Enter the exact number of individual units required. As an example: If there are 24 units in a case and you require 1 case, enter 24 in the "quantity" space. See below for an example of standard case quantities.



| Standard Case Quantities | Box Pack(SP) |
|----------------------------|--------------|
| Handlesets | 6 |
| Handlesets - Interior Pack | 6 |



UL - Not available on Yale Handlesets

Decorative Handlesets

Price List

BOX PACK LIST PRICE (PRICE INCLUDES INTERIOR TRIM)

| Handlesets | DESIGN | FUNCTION | NO | US3 | US26 | US26D | 10BE | 10BP | US5 | US15 | US15A | GM | BSP |
|---------------------------------------|------------------------|------------|---------------|---------------|---------------|--------|---------------|---------------|---------------|---------------|---------------|---------------|---------------|
| Featuring Quick Install Design | | BHMA | | 605 | 625 | 626 | 613E | | 609 | 619 | 620 | Gun Metal | Black Suede |
| Homestead | Dummy | 986 | 161.20 | 161.20 | 161.20 | 190.00 | 190.00 | 161.20 | 161.20 | 161.20 | 161.20 | 161.20 | 161.20 |
| | Single Cylinder | 926 | 193.70 | 193.70 | 193.70 | 220.00 | 220.00 | 193.70 | 193.70 | 193.70 | 193.70 | 193.70 | 193.70 |
| | Double Cylinder | 946 | 211.40 | 211.40 | 211.40 | 240.00 | 240.00 | 211.40 | 211.40 | 211.40 | 211.40 | 211.40 | 211.40 |
| Jamestown | Dummy | 987 | 161.20 | 161.20 | 161.20 | 190.00 | 190.00 | 161.20 | 161.20 | 161.20 | 161.20 | 161.20 | 161.20 |
| | Single Cylinder | 927 | 193.70 | 193.70 | 193.70 | 220.00 | 220.00 | 193.70 | 193.70 | 193.70 | 193.70 | 193.70 | 193.70 |
| | Double Cylinder | 947 | 211.40 | 211.40 | 211.40 | 240.00 | 240.00 | 211.40 | 211.40 | 211.40 | 211.40 | 211.40 | 211.40 |
| McKinley | Dummy | 682 | 125.30 | 125.30 | 125.30 | 140.00 | 140.00 | 136.50 | 136.50 | 136.50 | 136.50 | 136.50 | 136.50 |
| | Single Cylinder | 622 | 151.40 | 151.40 | 151.40 | 170.00 | 170.00 | 161.90 | 161.90 | 161.90 | 161.90 | 161.90 | 161.90 |
| | Double Cylinder | 642 | 163.60 | 163.60 | 163.60 | 201.60 | 201.60 | 174.50 | 174.50 | 174.50 | 174.50 | 174.50 | 174.50 |
| Pedestal* | Dummy | 988 | 161.20 | N/A | N/A | N/A | 190.00 | N/A | 161.20 | N/A | N/A | N/A | 161.20 |
| | Single Cylinder | 928 | 193.70 | N/A | N/A | N/A | 220.00 | N/A | 193.70 | N/A | N/A | N/A | 193.70 |
| Teton | Dummy | 681 | N/A | N/A | N/A | N/A | 140.00 | N/A | 136.50 | 136.50 | 136.50 | 136.50 | 136.50 |
| | Single Cylinder | 621 | N/A | N/A | N/A | N/A | 170.00 | N/A | 161.90 | 161.90 | 161.90 | 161.90 | 161.90 |
| | Double Cylinder | 641 | N/A | N/A | N/A | N/A | 201.60 | N/A | 174.50 | 174.50 | 174.50 | 174.50 | 174.50 |
| Rainier | Dummy | 683 | N/A | 137.10 | 137.10 | N/A | 150.00 | N/A | 148.30 | 148.30 | 148.30 | 148.30 | 148.30 |
| | Single Cylinder | 623 | N/A | 162.90 | 162.90 | N/A | 180.00 | N/A | 173.00 | 173.00 | 173.00 | 173.00 | 173.00 |
| | Double Cylinder | 643 | N/A | 175.30 | 175.30 | N/A | 212.30 | N/A | 185.40 | 185.40 | 185.40 | 185.40 | 185.40 |

NOTE: Handleset Interior Trim - Selection Chart Below.

* Pedestal ships with Cambridge knob as standard. Split finish not available.

| INTERIOR TRIM ASSEMBLIES | ITEM | MODEL NO | LIST PRICE* |
|--------------------------|---------------------------------|------------|--------------|
| YH Collection | Dummy | 719 | 18.20 |
| | Single Cylinder Deadbolt | 720 | 24.20 |
| | Double Cylinder Deadbolt | 740 | 30.30 |
| New Traditions | Dummy | 680 | 17.70 |
| | Single Cylinder Deadbolt | 620 | 23.00 |
| | Double Cylinder Deadbolt | 640 | 29.80 |

*All finishes
Note: box pack only

| Available Options – Box Pack Only | | List Price Upcharge |
|---|-----------------------------|------------------------|
| Page 81 | Split-Hub Latches | NC when specified |
| Page 67, 77 | 800 Series Deadbolt Latches | NC when specified |
| Page 92 | T-Strikes | 1.40 |
| Page 92 | A.S.A. 47/8" Strike | 6.80 |
| Page 92 | Deadbolt Security Strikes | .80 |
| Page 92 | Other Lockset Strikes | NC when specified |
| Page 93 | Additional keying options | NC when specified |
| Extension Kit 2 to 21/4" YH/NT Handleset (Thick Door Pack) #YR07600 | | 12.60 (specify finish) |

Note: When ordering handlesets less interior pack, (LIP) deduct the interior trim assembly list price to determine handleset price. Specify handing when ordering all lever interior trim assemblies.

Decorative Handlesets

Price List

YH COLLECTION INTERIOR TRIM

| DESIGN | US3 605 | US26 625 | US26D 626 | 613E (10BE) | 10BP | US5 609 | US15 619 | US15A 620 | GM Gun Metal | BSP Black Suede |
|---------------|------------|-------------|--------------|----------------|------|------------|-------------|--------------|--------------------|-----------------------|
| Bridgeport | A | A | A | N/A | N/A | N/A | A | N/A | N/A | N/A |
| Cambridge | A | A | A | A | A | A | A | A | A | A |
| Dartmouth | A | N/A | N/A | N/A | A | N/A | A | N/A | A | N/A |
| Oxford | A | N/A | N/A | A | A | A | A | N/A | N/A | A |
| Academy | N/A | N/A | A | N/A | N/A | A | A | N/A | N/A | N/A |
| Augusta | A | N/A | A | A | A | A | A | N/A | N/A | N/A |
| Delaware | N/A | A | A | A | A | N/A | A | N/A | N/A | N/A |
| Kincaid | N/A | N/A | N/A | N/A | N/A | N/A | N/A | N/A | N/A | N/A |
| Marina | N/A | A | A | A | A | N/A | A | N/A | A | N/A |
| McClure | A | N/A | A | A | A | N/A | A | A | N/A | N/A |
| Monroe | N/A | N/A | A | N/A | N/A | N/A | A | N/A | N/A | N/A |
| Milan | A | A | A | N/A | N/A | N/A | A | N/A | N/A | N/A |
| Norwood | A | A | A | A | A | A | A | A | A | A |
| Pacific Beach | A | A | A | N/A | N/A | A | A | N/A | N/A | N/A |
| Valdosta | N/A | A | A | A | A | N/A | A | N/A | N/A | A |
| Virgo | A | N/A | A | A | A | N/A | A | N/A | N/A | N/A |

Specify handing when ordering lever interior trim. With split finish orders, strikes match interior finishes.

A = Available as factory direct interior pack selection in Handlesets

A = Available in QuickShip

N/A = Not available as interior pack selection in YH Collection

NEW TRADITIONS INTERIOR TRIM

| DESIGN | US3 605 | US26 625 | US26D 626 | 613E (10BE) | 10BP | US5 609 | US15 619 | US15A 620 | GM Gun Metal | BSP Black Suede |
|----------|------------|-------------|--------------|----------------|------|------------|-------------|--------------|--------------------|-----------------------|
| Cirrus | A | A | A | A | A | N/A | A | A | A | N/A |
| Horizon | A | A | A | A | A | A | A | A | A | A |
| Oasis | N/A | N/A | N/A | N/A | A | N/A | A | N/A | N/A | N/A |
| Terra | N/A | N/A | N/A | N/A | A | N/A | A | N/A | A | N/A |
| Valley | A | N/A | A | N/A | N/A | N/A | N/A | N/A | N/A | N/A |
| Mesa | N/A | N/A | A | N/A | N/A | A | A | N/A | N/A | N/A |
| Niagara | A | A | A | A | A | A | A | A | A | A |
| Prairie | N/A | A | A | N/A | N/A | A | A | N/A | N/A | N/A |
| Savannah | A | A | A | A | A | A | A | A | A | N/A |
| Vidalia | A | A | A | A | A | A | A | A | A | A |
| Woodland | A | A | A | A | A | A | A | A | A | A |

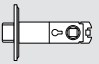

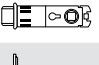
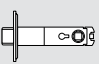

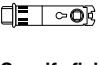
Specify handing when ordering lever interior trim. With split finish orders, strikes match interior finishes.

A = Available as factory direct interior pack selection in Handlesets

A = Available in QuickShip

N/A = Not available as interior pack selection in New Traditions

BOX PACK LIST PRICE

| HANDLESET LATCHES - INTERIOR SPLIT HUB SPRING LATCHES | DESCRIPTION | DIMENSION | CORNER SPECS | MODEL NO | LIST PRICE |
|---|------------------------------|------------|---------------|-------------|------------|
|  | 2 3/8" Spring Latch | 1 x 2 1/4" | Square Corner | YR01804* | 12.70 |
|  | 2 3/8" Spring Latch | 1 x 2 1/4" | Round Corner | YR01802* | 12.70 |
|  | 2 3/8" Spring Drive-In Latch | 1" Dia. | N/A | YR01803* | 12.70 |
|  | 2 3/4" Spring Latch | 1 x 2 1/4" | Square Corner | YR01808* | 12.70 |
|  | 2 3/4" Spring Latch | 1 x 2 1/4" | Round Corner | YR01806* | 12.70 |
|  | 2 3/4" Spring Drive-In Latch | 1" Dia. | N/A | YR01807* | 12.70 |

*Specify finish when ordering

Decorative Passage Handlesets

Use with Yale Real Living® Deadbolts

Homestead



Jamestown



McKinley



Rainier




Teton



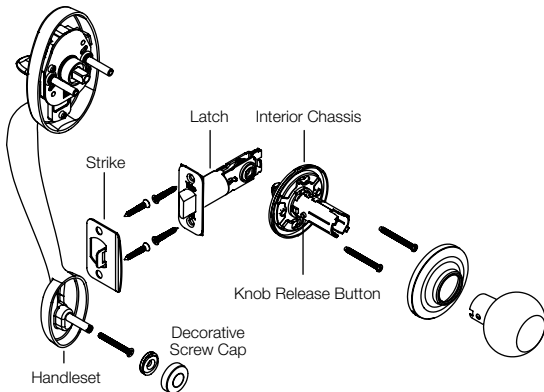
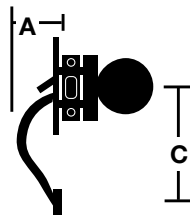
Our decorative handlesets combine elegance with ease of installation. These designs offer balanced torque springs on a split-hub for ease of opening, solid thumb pieces, and finishes utilizing the world's most advanced clear coat technology. Designed to fit most American-made doors, each handleset comes with easy-to-read installation instructions. Can be utilized in conjunction with Yale Real Living® deadbolt product.

Decorative Passage Handlesets

Functions

| FUNCTION | NO. | DESCRIPTION |
|---|-----|------------------------------------|
|  | 601 | PASSAGE: Latchbolt is operated |
| | 602 | by thumbpiece at all times. |
| | 603 | Thumbpiece retracts latch from |
| | 906 | exterior side. Knob or lever |
| | 907 | retracts latch from interior side. |

| DIMENSIONS | A | C |
|------------------|---------------------------------|----------------------------------|
| Homestead | 2 ³ / ₈ " | 9 ¹ / ₁₆ " |
| Jamestown | 2 ³ / ₈ " | 9 ¹ / ₁₆ " |
| McKinley | 2 ³ / ₈ " | 9 ¹ / ₁₆ " |
| Rainier | 2 ³ / ₈ " | 9 ¹ / ₁₆ " |
| Teton | 2 ³ / ₈ " | 9 ¹ / ₁₆ " |



Product Specifications

| | |
|-----------------------|---|
| Door Specs | 2 ¹ / ₈ " Face Bore, 1" Edge Bore, 5 ¹ / ₂ " O.C. Box Pack: Latch Face 1" x 2 ¹ / ₄ " RC (Round Corner) |
| Latch | Box Pack: 2 ³ / ₈ " RC (Round Corner) Deadbolt: 2 ³ / ₈ "-2 ³ / ₄ " ADJ. RC (Round Corner) Deadbolt: 2 ³ / ₈ "-2 ³ / ₄ " ADJ. SC (Square Corner) |
| Door Thickness | 1 ³ / ₄ " 2" to 2 ¹ / ₄ " Requires Ext. Kit 07600 |
| Faceplate | 1" W x 2 ¹ / ₄ " H RC (Round Corner) |
| Strike | Box Pack: Spring latch 2 ¹ / ₄ " Full Lip RC (Round Corner) |
| Interior Trim | Specify Interior Trim Style |

Standard Case Quantities - Enter the exact number of individual units required. As an example: If there are 24 units in a case and you require 1 case, enter 24 in the "quantity" space. See below for an example of standard case quantities.

Standard Case Quantities

| | Box Pack(SP) |
|-----------------------------------|--------------|
| Handlesets | 6 |
| Handlesets - Interior Pack | 6 |



UL - Not available on
New Traditions from Yale Handlesets

Decorative Passage Handlesets

Price List

BOX PACK LIST PRICE (PRICE INCLUDES INTERIOR TRIM)

| Handlesets | DESIGN | FUNCTION NO | US3 | 10BP | US15 |
|---------------------------------------|----------------|-------------|---------------|---------------|---------------|
| Featuring Quick Install Design | | BHMA | 605 | | 619 |
| Homestead | Passage | 906 | 153.00 | 164.00 | 148.00 |
| Jamestown | Passage | 907 | 153.00 | 164.00 | 148.00 |
| McKinley | Passage | 602 | 126.00 | 135.00 | 132.00 |
| Teton | Passage | 601 | N/A | 135.00 | 132.00 |
| Rainier | Passage | 603 | 138.00 | 145.00 | 135.00 |

NOTE: Handleset Interior Trim - Selection Chart Below.

| INTERIOR TRIM ASSEMBLIES | ITEM | MODEL NO | LIST PRICE* |
|--------------------------|----------------------------|------------|--------------|
| YH Collection | Passage | 720 | 24.20 |
| New Traditions | Passage | 620 | 23.00 |
| | *All finishes | | |
| | Note: box pack only | | |

| Available Options – Box Pack Only | | List Price Upcharge |
|--|---|-----------------------------------|
| Page 81 | Split-Hub Latches | SC or DI no charge when specified |
| Page 92 | T-Strikes | 1.40 |
| Page 92 | A.S.A. 4 ⁷ / ₈ " Strike | 6.80 |
| Extension Kit 2 to 2 ¹ / ₄ " YH/NT Handleset (Thick Door Pack) #YR07600 | | 12.60 (specify finish) |

Note: When ordering handlesets less interior pack, (LIP) deduct the interior trim assembly list price to determine handleset price. Specify handing when ordering all lever interior trim assemblies.

Decorative Passage Handlesets

Price List

YH COLLECTION INTERIOR TRIM

| DESIGN | US3 605 | US26 625 | US26D 626 | 613E (10BE) | 10BP | US5 609 | US15 619 | US15A 620 | GM Gun Metal | BSP Black Suede |
|---------------|------------|-------------|--------------|----------------|------|------------|-------------|--------------|--------------------|-----------------------|
| Bridgeport | A | A | A | N/A | N/A | N/A | A | N/A | N/A | N/A |
| Cambridge | A | A | A | A | A | A | A | A | A | A |
| Dartmouth | A | N/A | N/A | N/A | A | N/A | A | N/A | A | N/A |
| Oxford | A | N/A | N/A | A | A | A | A | N/A | N/A | A |
| Academy | N/A | N/A | A | N/A | N/A | A | A | N/A | N/A | N/A |
| Augusta | A | N/A | A | A | A | A | A | N/A | N/A | N/A |
| Delaware | N/A | A | A | A | A | N/A | A | N/A | N/A | N/A |
| Kincaid | N/A | N/A | N/A | N/A | N/A | N/A | N/A | N/A | N/A | N/A |
| Marina | N/A | A | A | A | A | N/A | A | N/A | A | N/A |
| McClure | A | N/A | A | A | A | N/A | A | A | N/A | N/A |
| Monroe | N/A | N/A | A | N/A | N/A | N/A | A | N/A | N/A | N/A |
| Milan | A | A | A | N/A | N/A | N/A | A | N/A | N/A | N/A |
| Norwood | A | A | A | A | A | A | A | A | A | A |
| Pacific Beach | A | A | A | N/A | N/A | A | A | N/A | N/A | N/A |
| Valdosta | N/A | A | A | A | A | N/A | A | N/A | N/A | A |
| Virgo | A | N/A | A | A | A | N/A | A | N/A | N/A | N/A |

Specify handing when ordering lever interior trim. With split finish orders, strikes match interior finishes.

A = Available as factory direct interior pack selection in Handlesets

A = Available in QuickShip

N/A = Not available as interior pack selection in YH Collection

NEW TRADITIONS INTERIOR TRIM

| DESIGN | US3 605 | US26 625 | US26D 626 | 613E (10BE) | 10BP | US5 609 | US15 619 | US15A 620 | GM Gun Metal | BSP Black Suede |
|----------|------------|-------------|--------------|----------------|------|------------|-------------|--------------|--------------------|-----------------------|
| Cirrus | A | A | A | A | A | N/A | A | A | A | N/A |
| Horizon | A | A | A | A | A | A | A | A | A | A |
| Oasis | N/A | N/A | N/A | N/A | A | N/A | A | N/A | N/A | N/A |
| Terra | N/A | N/A | N/A | N/A | A | N/A | A | N/A | A | N/A |
| Valley | A | N/A | A | N/A | N/A | N/A | N/A | N/A | N/A | N/A |
| Mesa | N/A | N/A | A | N/A | N/A | A | A | N/A | N/A | N/A |
| Niagara | A | A | A | A | A | A | A | A | A | A |
| Prairie | N/A | A | A | N/A | N/A | A | A | N/A | N/A | N/A |
| Savannah | A | A | A | A | A | A | A | A | A | A |
| Vidalia | A | A | A | A | A | A | A | A | A | A |
| Woodland | A | A | A | A | A | A | A | A | A | A |

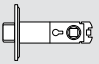

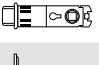
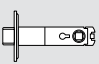

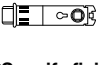
Specify handing when ordering lever interior trim. With split finish orders, strikes match interior finishes.

A = Available as factory direct interior pack selection in Handlesets

A = Available in QuickShip

N/A = Not available as interior pack selection in New Traditions

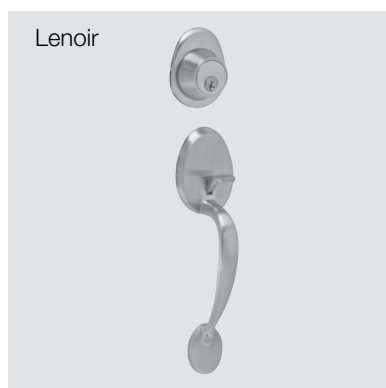
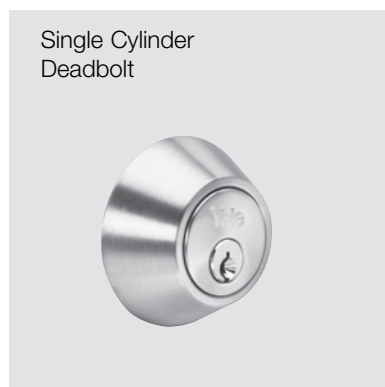
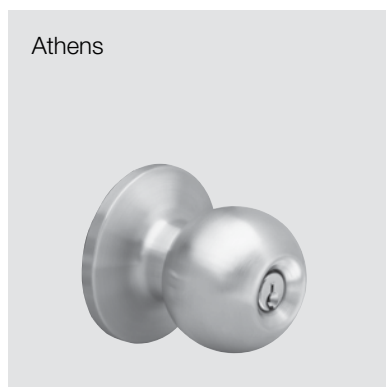
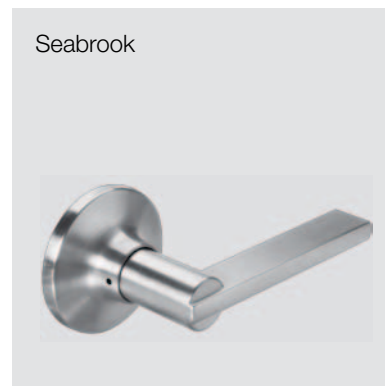
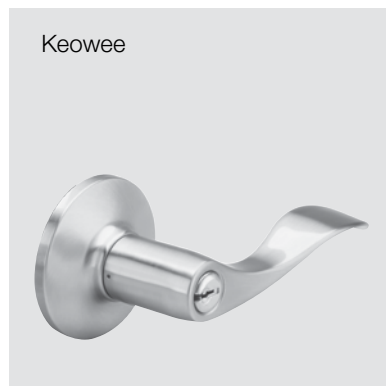
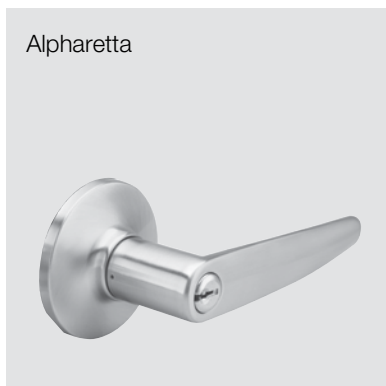
BOX PACK LIST PRICE

| HANDLESET LATCHES - INTERIOR SPLIT HUB SPRING LATCHES | DESCRIPTION | DIMENSION | CORNER SPECS | MODEL NO | LIST PRICE |
|---|---|------------|---------------|-------------|------------|
|  | 2 ³ / ₈ " Spring Latch | 1 x 2 1/4" | Square Corner | YR01804* | 12.70 |
|  | 2 ³ / ₈ " Spring Latch | 1 x 2 1/4" | Round Corner | YR01802* | 12.70 |
|  | 2 ³ / ₈ " Spring Drive-In Latch | 1" Dia. | N/A | YR01803* | 12.70 |
|  | 2 ³ / ₄ " Spring Latch | 1 x 2 1/4" | Square Corner | YR01808* | 12.70 |
|  | 2 ³ / ₄ " Spring Latch | 1 x 2 1/4" | Round Corner | YR01806* | 12.70 |
|  | 2 ³ / ₄ " Spring Drive-In Latch | 1" Dia. | N/A | YR01807* | 12.70 |

*Specify finish when ordering

Yale Edge Series®

*NOTE - Not for Use with Commercial Hollow Metal Doors







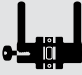


Yale Edge Series offers attractive designs and finishes to meet the needs of today's housing market. All Yale Edge Series product is constructed to meet Grade 3 standards. Designed to fulfill the needs of the hardware market in attractive styles and current popular finishes. Whether your project includes town homes, condos, garden homes, or a single family home, look no further than Yale Edge Series to fulfill your door hardware needs with the Yale brand.

Yale Edge Series® Knob and Lever



Functions

| FUNCTION | NO. | DESCRIPTION |
|---|-------|---|
|  | 80/81 | DUMMY: For doors where only pull is required. (handing required Keowee only) |
|  | 10/11 | PASSAGE: Latchbolt is operated by either knob/lever at all times. (levers – non-handed) |
|  | 20/21 | PRIVACY: Latchbolt is operated by either knob/lever except when inside knob is locked by turn button. A coin turn releases turn button and unlocks outside knob/lever. (levers: non-handed) |
|  | 23* | PRIVACY: Latchbolt is operated by either lever except when inside lever is locked by push button. Push button is released by special emergency key on outside or by turning inside lever. (Specify Handing) |
|  | 70 | ENTRY KNOB: Guarded Latch bolt operated from outside by key. Inside by knob. Turn button Locks both knobs. Knobs unlock by Key outside or by rotating inside turn button. |
|  | 71 | ENTRY LEVER/LEVER: Guarded latch bolt operated from outside lever by key. Inside by lever. Turn button locks both levers. Levers unlock by key or by turning inside turn button. |
|  | 73* | ENTRY (LEVER/LEVER): Guarded latchbolt operated from outside by key; inside by lever. Push button locks outside lever. Outside lever unlocks by key or by turning inside lever. (Specify Handing) |

| DIMENSIONS | A | B | C |
|------------|----------------------------------|-----------------------------------|-----------------------------------|
| Athens | 2 ⁷ / ₁₆ " | 2 ³³ / ₆₄ " | 2" |
| Sinclair | 2 ⁷ / ₁₆ " | 2 ³ / ₈ " | 2 ¹³ / ₆₄ " |
| Keowee | 2 ⁷ / ₁₆ " | 2 ⁹ / ₁₆ " | 4 ³ / ₃₂ " |
| Apharetta | 2 ⁷ / ₁₆ " | 2 ¹ / ₄ " | 3 ⁴⁵ / ₆₄ " |
| Seabrook | 2 ⁷ / ₁₆ " | 2 ⁹ / ₁₆ " | 4 ⁵ / ₈ " |

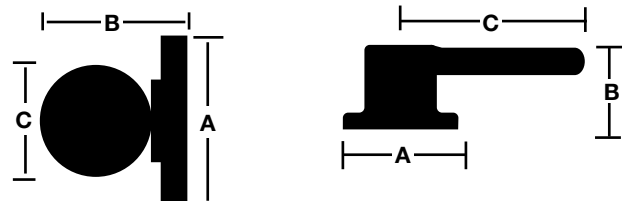
Product Specifications

| | |
|-----------------------|--|
| Door Specs | 2 ¹ / ₈ " Face Bore, 1" Edge Bore, 2 ³ / ₈ " or 2 ³ / ₄ " Backset 1" W x 2 ¹ / ₄ " Latch Prep: Latch Face 1" x 2 ¹ / ₄ " RC (Round Corner) |
| Latch | RC Adjustable only for 2 ³ / ₈ " or 2 ³ / ₄ " Backset |
| Door Thickness | 1 ³ / ₈ " to 1 ³ / ₄ " (includes handleset) |
| Cylinder | Cylinder Brass 5 Pin Cylinder (KW-1 Compatible) SC-1 Cylinder (availability: Keowee, Sinclair, Seabrook, Lenoir and deadbolts; US15 and 10BP finishes) |
| Keying | KA5 |
| Faceplate | 1" W x 2 ¹ / ₄ " H RC (Round Corner) |
| Strike | 2 ¹ / ₄ " Full Lip RC (Round Corner) |

Standard Case Quantities - Enter the exact number of individual units required. As an example: If there are 30 units in a case and you require 1 case, enter 30 in the "quantity" space. See below for an example of standard case quantities.

Standard Case Quantities (YE Series)

| | Box Pack(SP) |
|------------|--------------|
| Dummy | 30 |
| Knobs | 30 |
| Levers | 20 |
| Deadbolts | 30 |
| Combo Sets | 10 |
| Handlesets | 6 |



Yale Edge Series®

Knob and Lever Price List



BOX PACK LIST PRICE

| DESIGN | FUNCTION | NO | US3 | 10BP | US15 | US32D |
|------------------------|----------|-----|--------------|----------------|----------------|--------------|
| | BHMA | | 605 | | 619 | 632 |
| Athens (AT) | Dummy | 80 | 8.10 | N/A | N/A | 8.10 |
| | Passage | 10 | 18.70 | N/A | N/A | 18.70 |
| | Privacy | 20 | 19.60 | N/A | N/A | 19.60 |
| | Entry | 70 | 22.20 | N/A | N/A | 22.20 |
| | Combo | 837 | 43.20 | N/A | N/A | 43.20 |
| Sinclair (SN) | Dummy | 80 | N/A | 10.20 | 8.10 | N/A |
| | Passage | 10 | N/A | 22.20 | 18.70 | N/A |
| | Privacy | 20 | N/A | 22.80 | 19.60 | N/A |
| | Entry | 70 | N/A | 25.90** | 22.20** | N/A |
| | Combo | 837 | N/A | 52.00 | 44.10 | N/A |
| Keowee (KW) | Dummy | 81 | N/A | 16.00 | 13.90 | N/A |
| | Passage | 11 | N/A | 32.00 | 28.40 | N/A |
| | Privacy | 21 | N/A | 33.50 | 29.20 | N/A |
| | Entry | 71 | N/A | 43.50** | 38.40** | N/A |
| | Privacy* | 23 | N/A | 36.50 | 32.20 | N/A |
| | Entry* | 73 | N/A | 46.50 | 41.40 | N/A |
| Alpharetta (AL) | Dummy | 81 | 11.30 | 14.70 | 12.70 | N/A |
| | Passage | 11 | 23.60 | 30.30 | 26.30 | N/A |
| | Privacy | 21 | 24.00 | 30.80 | 26.80 | N/A |
| | Entry | 71 | 30.70 | 38.80 | 34.20 | N/A |
| | Privacy* | 23 | N/A | N/A | 29.80 | N/A |
| | Entry* | 73 | N/A | N/A | 37.20 | N/A |
| Seabrook (SB) | Dummy | 81 | N/A | 16.00 | 13.90 | N/A |
| | Passage | 11 | N/A | 32.00 | 28.40 | N/A |
| | Privacy | 21 | N/A | 33.50 | 29.20 | N/A |
| | Entry | 71 | N/A | 43.50** | 38.40** | N/A |

Note: Only Keowee Dummy and interior trim packs are handed.

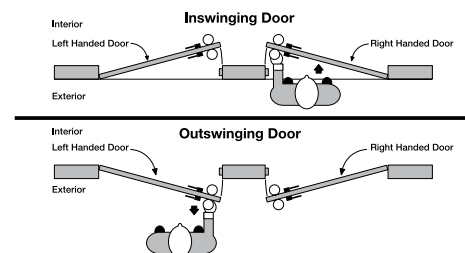
*ADA – Push button interior locking

**Specify KW-1 or SC-1 compatible cylinder.

HOW TO DETERMINE HANDING OF DOORS

- The handing of a door is always determined by facing the exterior of a door.
- If the hinge is on the left side of the door, the door is left handed (LH).
- If the hinge is on the right side of the door, the door is right handed (RH).
- To order a handed product, specify LH or RH.

Not all products are handed; only specify handing when required.



ADA, Dummies, and Interior Packs require handing.

Yale Edge Series® Deadbolt and Handleset

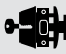
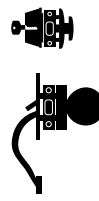


BOX PACK LIST PRICE

| DESIGN | FUNCTION | NO | US3 | 10BP | US15 | US32D |
|--------------------------------|---|------|---------------|-----------------|-----------------|--------------|
| | BHMA | | 605 | | 619 | 630 |
| Deadbolt | Single Cylinder | 82E | 21.00 | 26.10** | 21.90** | 21.00 |
| Lenoir (LN) | Handleset Note: Lenoir Handleset price includes interior trim | 927 | 111.00 | 121.50** | 111.00** | N/A |
| Available Interior Trim | Athens | | A | A | N/A | A |
| | Sinclair | | N/A | A | A | N/A |
| | Keowee | | N/A | A | A | N/A |
| | Alpharetta | | A | A | A | N/A |
| | Seabrook | | N/A | A | A | N/A |
| Interior Trim | (Priced separately) | 720E | 24.00 | 24.00 | 24.00 | 24.00 |

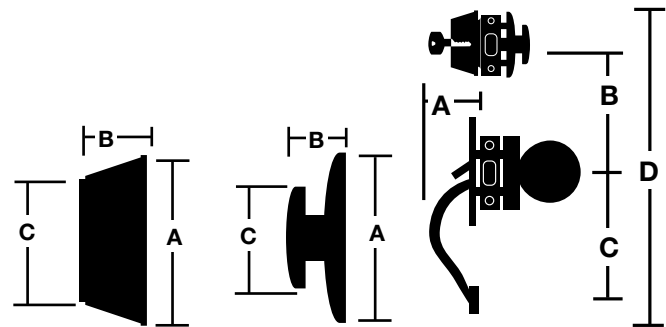
**Specify KW-1 or SC-1 compatible cylinder.

Functions

| FUNCTION | NO. | DESCRIPTION |
|---|-----|---|
|  | 82E | SINGLE CYLINDER: Latch operated from the outside by key, inside by T-turn. |
|  | 927 | SINGLE CYLINDER: Thumbpiece retracts latch from exterior side. Knob or lever retracts latch from interior side. Deadbolt latch retracts with key from exterior side, T-turn retracts deadbolt latch from interior side. |

Product Specifications

| DIMENSIONS | A | B | C | D |
|---------------|----------|--------|--------|-----|
| Lenoir | 2 31/64" | 5 1/2" | 8 3/8" | 17" |



1-3/8" to 1-3/4" door thickness

Yale Edge Series® Deadbolt and Handleset



Yale Edge Series Drive In Latch

| Description | Qty | Model No. | |
|---|-----|-----------|------|
| YE Drive In Adjustable Pass/Priv Latch US26 Knob | 1 | YR01B176 | 5.20 |
| YE Drive In Adjustable Pass/Priv Latch US26 Lever | 1 | YR01B176L | 5.20 |
| YE Drive In Adjustable Entry Latch US26 Knob | 1 | YR01B276 | 5.20 |
| YE Drive In Adjustable Entry Latch US26 Lever | 1 | YR01B276L | 5.20 |
| YE Drive In Adjustable Deadbolt Latch US26 | 1 | YR01B476 | 5.80 |

Yale Edge Series Round Corner Adjustable Latch

| Description | Qty | Model No. | |
|---|-----|-----------|------|
| YE Round Corner Adjustable Pass/Priv Latch US26 Knob | 1 | YR01B146 | 5.20 |
| YE Round Corner Adjustable Pass/Priv Latch US26 Lever | 1 | YR01B156 | 5.20 |
| YE Round Corner Adjustable Entry Latch US26 Knob | 1 | YR01B246 | 5.20 |
| YE Round Corner Adjustable Entry Latch US26 Lever | 1 | YR01B256 | 5.20 |
| YE Round Corner Adjustable Deadbolt Latch US26 | 1 | YR01B446 | 5.20 |
| YE Round Corner Adjustable Pass/Priv Latch 10BP Knob | 1 | YR01B14K | 5.20 |
| YE Round Corner Adjustable Pass/Priv Latch 10BP Lever | 1 | YR01B15K | 5.20 |
| YE Round Corner Adjustable Entry Latch 10BP Knob | 1 | YR01B24K | 5.20 |
| YE Round Corner Adjustable Entry Latch 10BP Lever | 1 | YR01B25K | 5.20 |
| YE Round Corner Adjustable Deadbolt Latch 10BP | 1 | YR01B44K | 5.20 |

Yale Edge Series Cylinder

| Description | Qty | Model No. | |
|--|-----|-----------|-------|
| YE Sinclair Entry Cylinder & 2 keys KW US15 | 1 | YR06B00N | 14.00 |
| YE Lever Entry Cylinder & 2 keys KW US15 | 1 | YR06B01N | 14.00 |
| YE Lever ADA Entry Cylinder & 2 keys KW US15 | 1 | YR06B02N | 14.00 |
| YE Deadbolt Cylinder & 2 keys KW US15 | 1 | YR06B10N | 14.00 |

Pocket Door Locks



Installs with just a screwdriver on pocket doors for automatic latching. Just close the door and it is latched. Unlock with a thumbturn on the interior. Universal handing, one lock functions in both right or left slide direction.

Product Specifications

Door Specs Fits both 1³/₈" and 1³/₄" doors 2³/₈" backset only
Used standard 2¹/₈" facebore and 1" edge bore.

| BOX PACK LIST PRICE | | | |
|---------------------|-------------|--------------|--------------|
| FUNCTION | NO | 10BP | US15 |
| BHMA | | | 619 |
| Passage | 10PD | 21.00 | 21.00 |
| Privacy | 20PD | 22.00 | 22.00 |

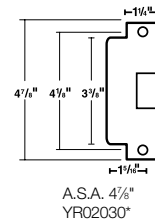
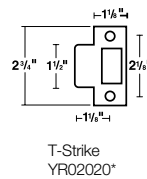
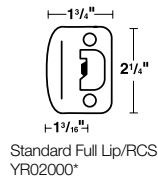
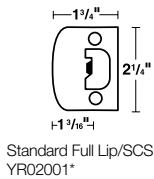
Accessories

Strikes

LOCKSET STRIKES

| ITEM | DIMENSIONS | CORNER SPECS | MODEL NO | LIST PRICE |
|-----------------------------|-----------------|---------------|----------|------------|
| Standard Full Lip Strike/SC | 1 3/4" x 2 1/4" | Square Corner | YR02001* | 2.00 |
| Standard Full Lip Strike/RC | 1 3/4" x 2 1/4" | Round Corner | YR02000* | 2.00 |
| T-Strike | 1 1/8" x 2 3/4" | Square Corner | YR02020* | 3.00 |
| A.S.A. 4 7/8" | 1 1/4" x 4 7/8" | Square Corner | YR02030* | 8.50 |

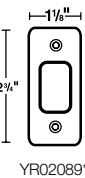
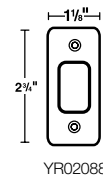
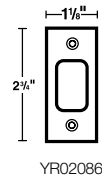
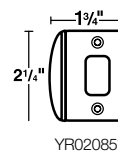
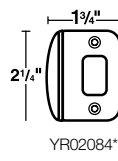
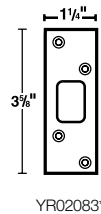
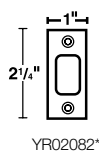
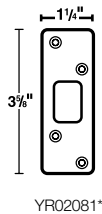
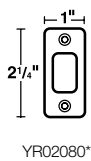
* Specify finish when ordering



DEADBOLT STRIKES

| ITEM | CORNER SPEC | MODEL NO | LIST PRICE |
|---|---------------|----------|------------|
| Standard Deadbolt Strike/SC | Square Corner | YR02082* | 2.00 |
| Standard Deadbolt Strike/RC | Round Corner | YR02080* | 2.00 |
| Security Strike 3 5/8" | Round Corner | YR02081* | 2.60 |
| Security Strike 3 5/8" | Square Corner | YR02083* | 2.60 |
| Full Lip Deadbolt Strike | Square Corner | YR02085* | 2.00 |
| Full Lip Deadbolt Strike | Round Corner | YR02084* | 2.00 |
| Universal Deadbolt Strike | Square Corner | YR02086* | 2.00 |
| Universal Deadbolt Strike | Radius Corner | YR02088* | 2.00 |
| White Plastic Dust Box 1" x 2 3/4" Deadbolt (For Universal Strike) | | YR026002 | 0.50 |
| Universal Deadbolt Strike with Security Plate | Radius Corner | YR02089* | 2.70 |

*Specify finish when ordering



FINISH MATCH FOR LATCH, STRIKE, CYLINDER & SCREWS*

YH Collection, New Traditions

| Lock Finish | US3/Gold/ PVD | US5 | US15 | US15A | GM/ BSP | US10BP | US26D | US26 |
|-----------------------------|------------------|--------|--------|--------|------------|--------|--------|--------|
| Latch Face Plate Color | US3 | US5 | Nickel | Black | Black | Black | Nickel | Nickel |
| Latch Head Color | Nickel | Nickel | Nickel | Nickel | Nickel | Nickel | Nickel | Nickel |
| Standard Strike Plate Color | US3 | US5 | Nickel | Black | Black | Black | Nickel | Nickel |
| Cylinder Color | Brass | Brass | Nickel | Nickel | Nickel | Brass | Nickel | Nickel |
| Screw Color | Brass | Brass | Nickel | Black | Black | Black | Nickel | Nickel |

* For Standard Strike & Latch Options Only

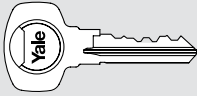
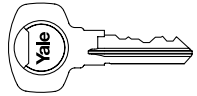
Note: All Deadbolt Latch Bolts are Nickel

Latch Filler Plate Black 035109 .32

Accessories

Keys and Keying Cylinders

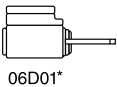
Yale KEY BLANKS and SPECIAL KEYING CHARGES

| KEY BLANK DESCRIPTION | QUANTITY | MODEL NO | LIST PRICE |
|---|------------|----------|------------|
|  YH Collection Key Blank | 50 per box | YR068003 | 1.00 ea. |
| YH Collection 6 PIN KW DO NOT COPY Key Blank | 50 per box | YR068013 | 1.50 ea. |
| YH Collection Key - cut | 50 per box | YR068550 | 1.50 ea. |
| YH Collection 6 Pin PARA Key Blank | 50 per box | YR068Y01 | 1.70 ea. |
| YH Collection 6 PIN Schlage Key Blank | 50 per box | YR068009 | 1.00 ea. |
| YH Collection 6 PIN Schlage Key - cut | 50 per box | YR068509 | 1.50 ea. |
| YH Collection 6 PIN Schlage DO NOT COPY Key Blank | 50 per box | YR068011 | 1.50 ea. |
|  New Traditions/Yale Edge Series Key Blank | 50 per box | YR068004 | 0.90 ea. |
| New Traditions 5 PIN KW DO NOT COPY Key Blank | 50 per box | YR068010 | 1.50 ea. |
| New Traditions/Design Elements/Yale Edge Series Key - cut | 50 per box | YR068500 | 1.30 ea. |
| New Traditions/Design Elements 5 PIN Schlage Key Blank | 50 per box | YR068008 | 0.90 ea. |
| New Traditions/Design Elements 5 PIN Schlage Key - cut | 50 per box | YR068508 | 1.30 ea. |

| SPECIAL KEYING CHARGE DESCRIPTION | MODEL NO | LIST PRICE |
|---|-------------------------|-----------------------|
| KA - Keyed Alike | KA | NC when specified |
| MK - Master Keyed | MK | 1.20 ea. |
| BK - Builder Keyed | BK | 1.60 ea. |
| BMK - Builder Keyed and Master Keyed | BMK | 3.40 ea. |
| GMK - Grand Master Keyed | GMK | 4.50 ea. |
| BKGM - Builder Keyed and Grand Master Keyed | BKGM | 5.50 ea. |
| K-T-P - Keyed To Pass | K-T-P | 1.30 ea. |
| Extra Cut Keys | YH Collection YR068550 | 1.50 ea. |
| | New Traditions YR068500 | 1.30 ea. |
| Extra Cut Master Keys | YH Collection YR068551 | 2.20 ea. |
| | New Traditions YR068511 | 2.00 ea. |
| Extra Cut Builder Keys | YH Collection YR068558 | 2.20 ea. |
| | New Traditions YR068521 | 2.00 ea. |
| Stamp control number on key (factory only) | | \$1.50/key |
| QuickShip - Keyed Alike | KA | 1.00 ea. net/cylinder |
| QuickShip - Special Keying | | 3.00 ea. net/cylinder |

YH & NT CYLINDER OPTIONS

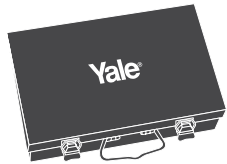
| SC-1 5-PIN STANDARD FOR YH&NT, 6-PIN MUST BE SPECIFIED IF NEEDED | MODEL NO | LIST PRICE |
|---|-----------------|-------------------|
| 5-PIN No charge when specified with New Traditions lock - compatible with F Series | | |
| Brass Cylinder & 2 Brass Keys, Tailpiece, Low Stack, Entry, 03 | YR068401 | 12.80 ea. |
| Brass Cylinder & 2 Brass Keys, Tailpiece, Low Stack, Deadbolt, 03 | YR068402 | 12.80 ea. |
| Brass Cylinder & 2 Brass Keys, Tailpiece, Low Stack, Entry, 26 | YR068405 | 12.80 ea. |
| Brass Cylinder & 2 Brass Keys, Tailpiece, Low Stack, Deadbolt, 26 | YR068406 | 12.80 ea. |
| 6-PIN No charge when specified with YH Collection lock - compatible with A Series | | |
| Brass Cylinder & 2 Brass Keys, Tailpiece, Low Stack, Entry, 03 | YR068D01 | 14.60 ea. |
| Brass Cylinder & 2 Brass Keys, Tailpiece, High Stack, Deadbolt, 03 | YR068D02 | 14.60 ea. |
| Brass Cylinder & 2 Brass Keys, Tailpiece, Low Stack, Entry, 26 | YR068D05 | 14.60 ea. |
| Brass Cylinder & 2 Brass Keys, Tailpiece, High Stack, Deadbolt, 26 | YR068D06 | 14.60 ea. |
| KW-1 5-PIN STANDARD FOR NT, 6-PIN STANDARD FOR YH | MODEL NO | LIST PRICE |
| 5-PIN No charge when specified with New Traditions lock | | |
| Brass Cylinder & 2 Brass Keys, Tailpiece, Low Stack, Entry, 03 | YR060003 | 8.60 ea. |
| Brass Cylinder & 2 Brass Keys, Tailpiece, Low Stack, Deadbolt, 03 | YR060103 | 8.60 ea. |
| Brass Cylinder & 2 Brass Keys, Tailpiece, Low Stack, Entry, 26 | YR060006 | 8.60 ea. |
| Brass Cylinder & 2 Brass Keys, Tailpiece, Low Stack, Deadbolt, 26 | YR060106 | 8.60 ea. |
| 6-PIN No charge when specified with YH Collection lock | | |
| Brass Cylinder & 2 Brass Keys, Tailpiece, Low Stack, Entry, 03 | YR06D013 | 10.20 ea. |
| Brass Cylinder & 2 Brass Keys, Tailpiece, High Stack, Premier Deadbolt, 03 | YR06D103 | 10.20 ea. |
| Brass Cylinder & 2 Brass Keys, Tailpiece, Low Stack, Entry, 26 | YR06D016 | 10.20 ea. |
| Brass Cylinder & 2 Brass Keys, Tailpiece, High Stack, Premier Deadbolt, 26 | YR06D106 | 10.20 ea. |
| PARA FOR RESIDENTIAL PRODUCT ONLY | MODEL NO | LIST PRICE |
| 6-PIN | | |
| Brass Cylinder & 2 Brass Keys, Tailpiece, High Stack, Entry Lever, 03 | YR06Y303 | 14.60 ea. |
| Brass Cylinder & 2 Brass Keys, Tailpiece, High Stack, Entry Lever, 26 | YR06Y306 | 14.60 ea. |
| Brass Cylinder & 2 Brass Keys, Tailpiece, High Stack, 83/820 Deadbolt, 03 | YR06Y403 | 14.60 ea. |
| Brass Cylinder & 2 Brass Keys, Tailpiece, High Stack, 83/820 Deadbolt, 26 | YR06Y406 | 14.60 ea. |
| Brass Cylinder & 2 Brass Keys, Tailpiece, High Stack, Premier Deadbolt, 03 | YR06Y413 | 14.60 ea. |
| Brass Cylinder & 2 Brass Keys, Tailpiece, High Stack, Premier Deadbolt, 26 | YR06Y416 | 14.60 ea. |



Accessories

Rekeying

REKEYING – KEYING KITS & REKEYING PARTS



BOTTOM PIN



MASTER PIN

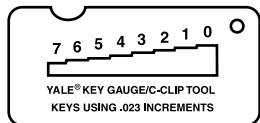


C-CLIP

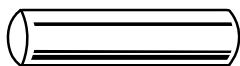


E-CLIP
067204

E-CLIP
0672D4



KEY CUT GAUGE



PLUG FOLLOWER

| DESCRIPTION | QUANTITY | MODEL NO | LIST PRICE |
|---------------------------------------|------------|----------------|------------|
| Edge Keying Kit | Each | YR069B12 | 94.00 |
| Yale KW Keying Kit | Each | YR069116 | 112.00 |
| Yale SC-1 Keying Kit | Each | YR069115 | 94.00 |
| KW-1 Pins | | | |
| .172 – #1 Bottom Pins | 100 pieces | YR065011 | 6.00 |
| .195 – #2 Bottom Pins | 100 pieces | YR065012 | 6.00 |
| .218 – #3 Bottom Pins | 100 pieces | YR065013 | 6.00 |
| .241 – #4 Bottom Pins | 100 pieces | YR065014 | 6.00 |
| .264 – #5 Bottom Pins | 100 pieces | YR065015 | 6.00 |
| .287 – #6 Bottom Pins | 100 pieces | YR065016 | 6.00 |
| .023 – #1 Master Pins | 100 pieces | YR065001 | 6.00 |
| .046 – #2 Master Pins | 100 pieces | YR065002 | 6.00 |
| .069 – #3 Master Pins | 100 pieces | YR065003 | 6.00 |
| .092 – #4 Master Pins | 100 pieces | YR065004 | 6.00 |
| .115 – #5 Master Pins | 100 pieces | YR065005 | 6.00 |
| .138 – #6 Master Pins | 100 pieces | YR065006 | 6.00 |
| SC-1 Pins | | | |
| .165 – #0 Bottom Pins | 100 pieces | YR065600 | 6.00 |
| .180 – #1 Bottom Pins | 100 pieces | YR065611 | 6.00 |
| .195 – #2 Bottom Pins | 100 pieces | YR065612 | 6.00 |
| .210 – #3 Bottom Pins | 100 pieces | YR065613 | 6.00 |
| .225 – #4 Bottom Pins | 100 pieces | YR065614 | 6.00 |
| .240 – #5 Bottom Pins | 100 pieces | YR065615 | 6.00 |
| .255 – #6 Bottom Pins | 100 pieces | YR065616 | 6.00 |
| .270 – #7 Bottom Pins | 100 pieces | YR065617 | 6.00 |
| .285 – #8 Bottom Pins | 100 pieces | YR065618 | 6.00 |
| .300 – #9 Bottom Pins | 100 pieces | YR065619 | 6.00 |
| .030 – #2 Master Pins | 100 pieces | YR065602 | 6.00 |
| .045 – #3 Master Pins | 100 pieces | YR065603 | 6.00 |
| .060 – #4 Master Pins | 100 pieces | YR065604 | 6.00 |
| .075 – #5 Master Pins | 100 pieces | YR065605 | 6.00 |
| .090 – #6 Master Pins | 100 pieces | YR065606 | 6.00 |
| .105 – #7 Master Pins | 100 pieces | YR065607 | 6.00 |
| .120 – #8 Master Pins | 100 pieces | YR065608 | 6.00 |
| .135 – #9 Master Pins | 100 pieces | YR065609 | 6.00 |
| Standard Top Pin | 100 pieces | YR065008 | 6.00 |
| Standard Top Pin (82,84 Deadbolts) | 100 pieces | YR0650D8 | 6.00 |
| Yale Builder Key Balls | 100 pieces | YR067050 | 10.00 |
| Cylinder Springs (High Stack) | 100 pieces | YR067001(DBLT) | 5.00 |
| Cylinder Springs (Low Stack) | 100 pieces | YR067002(ENT) | 5.00 |
| C-Clips | 100 pieces | YR067201 | 5.00 |
| E-Clips (#820,840,83,85 Deadbolts) | 100 pieces | YR067204 | 8.50 |
| E-Clips (#82,84 Deadbolts) | 100 pieces | YR0672D4 | 8.50 |
| E-Clips (PARA Deadbolts, Cyl 820/83) | 100 pieces | YR0672Y6 | 11.50 |
| E-Clips (PARA Deadbolts, Cyl Premier) | 100 pieces | YR0672Y5 | 11.50 |
| Spring Retainer Caps (low stack) | 100 pieces | YR067101 | 5.50 |
| Spring Retainer Caps (high stack) | 100 pieces | YR067102 | 5.50 |
| Key Cut Gauge/C-Clip Tool | Each | YR069012 | 5.00 |
| Plug Follower | Each | YR069001 | 5.50 |
| Universal Lockset Tailpiece | 100 pieces | YR067304 | 19.00 |
| Single Cylinder Tailpiece | 100 pieces | YR067307 | 19.00 |
| Double Cylinder Tailpiece | 100 pieces | YR067308 | 19.00 |
| Interconnected Cylinder Tailpiece | 100 pieces | YR067307ICN | 19.00 |

Accessories

Mounts and Samples

MOUNTS, DISPLAYS, & SAMPLES

| DESCRIPTION | | MODEL NO | LIST PRICE |
|---|--|-----------|------------|
| 3 Hole Mount | hold up to 3 knobs, levers, or deadbolts | YR099152A | 97.00 |
| Handleset Mount | | YR099162A | 97.00 |
| Multi - Product Mount | knobs, levers, deadbolts (left); handleset (right) | YR099161 | 195.00 |
| Free-standing Floor Display - 3 Panel | | YR099170 | 1500.00 |
| Dummy Mount | holds up to 12 dummy knobs or levers | YR099150 | 195.00 |
| Yale Logo Round Label for Mount, 2.5 inch | | YR099166 | 13.00 |
| YH Collection Square Logo Label for Mount, 2 inch | | YR099164 | 13.00 |
| New Traditions Square Logo Label for Mount, 2 inch | | YR099165 | 13.00 |
| YE Series Square Logo Label for Mount, 2 inch | | YR099167 | 13.00 |
| Pivot Collection Square Logo Label for Mount, 2 inch | | YR099168 | 13.00 |
| Acrylic Clear Ring | | YR099110 | 10.00 |
| Finish Sample Rings | | YR083002 | 20.50 |



The world's favorite lock since 1840

Yale Locks & Hardware

225 Episcopal Road
Berlin, CT 06037 USA
Tel 1-800-438-1951
Fax 1-800-338-0965
YaleHome.com

Yale Locks & Hardware is a division of Yale Security Inc., an ASSA ABLOY Group company. Yale®, Yale Real Living®, Assure Lock®, Look Door Viewer®, New Traditions®, and Yale Edge Series® are registered trademarks of Yale Security Inc., an ASSA ABLOY Group Company. B1L Lock™, T1L Lock™, YH Collection™, nexTouch™ and QuickShip™ are trademarks of Yale Security Inc., an ASSA ABLOY Group Company. Other products' brand names may be trademarks or registered trademarks of their respective owners and are mentioned for reference purposes only. These materials are protected under US copyright laws. All contents current at time of publication. Yale Security Inc., an ASSA ABLOY Group Company, reserves the right to change availability of any item in this price book, its design, construction and/or its materials. Copyright 2018. Yale Security Inc., an ASSA ABLOY Group Company. All rights reserved. Reproduction in whole or in part without the express written permission of Yale Security Inc., an ASSA ABLOY Group Company, is prohibited.

YALE, with its unique global reach and range of products, is the world's favorite lock.

ASSA ABLOY is the global leader in door opening solutions, dedicated to satisfying end-user needs for security, safety and convenience.

099503 5/18

ASSA ABLOY QuickShip™ Program

Order by 11:00AM(EST) and get SAME DAY SHIPPING*

*Orders requiring keying or non-standard changes will delay ship time. (examples: cylinders, latches, etc.)

RULES OF ENGAGEMENT:

- Order by 11:00 AM (EST) and the order ships the same day
- Order after 11:00 AM (EST) and the order ships the next day
- Make NO additional investment and expand your offering

ADDITIONAL CHARGES:

- Freight charge will be applied to orders less than \$150.00 (contiguous 48 states only, Alaska and Hawaii are 'plus freight')
- Yale reserves the right to limit quantities
- Net keying charges:
 - §1.00 per cylinder for keyed-alike
 - §3.00 for BK and MK

HOW to ORDER:

- Email QuickShip orders to: orders.yaleres@assaabloy.com
- Fax all QuickShip orders to: 877-888-2772
- Call Yale Customer Service for details: 800-438-1951

QuickShip

Look for **BOLD** prices throughout all Yale product listings for ASSA ABLOY QuickShip availability.