



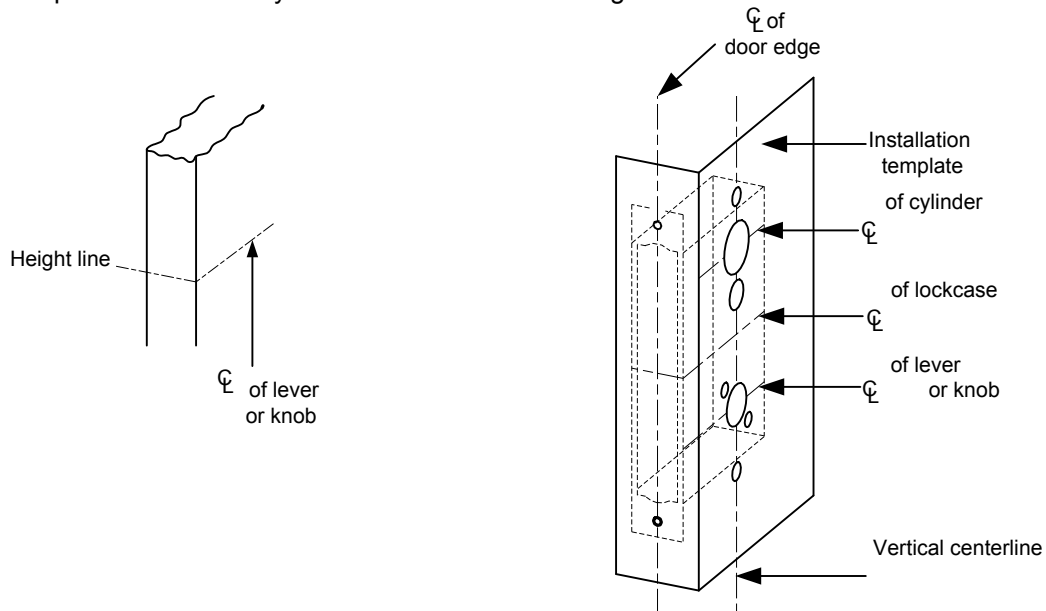
SECURITY DOOR CONTROLS

801 Avenida Acaso, Camarillo, Ca. 93012 • (805) 494-0622 • Fax: (805) 494-8861
www.sdcsecurity.com • E-mail: service@sdsecurity.com

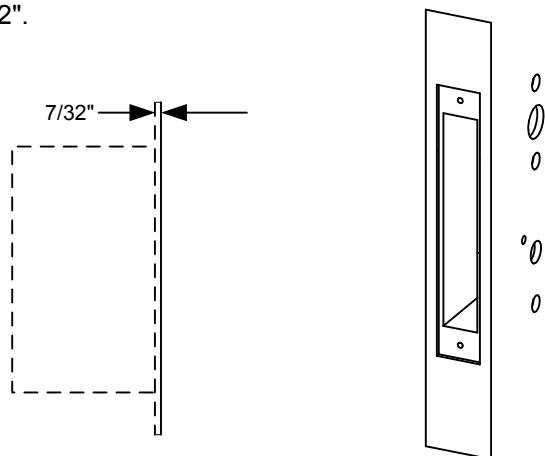
INSTALLATION INSTRUCTIONS Z7500 & ZR7500 SERIES MORTISE LOCK

A. Door Preparation:

1. Measure desired height from finished floor, mark a horizontal line on door and door edge.
2. Align template on edge of door with applicable horizontal at height line. Check the chart for drilling trim holes on template and mark only holes for lock function being installed.



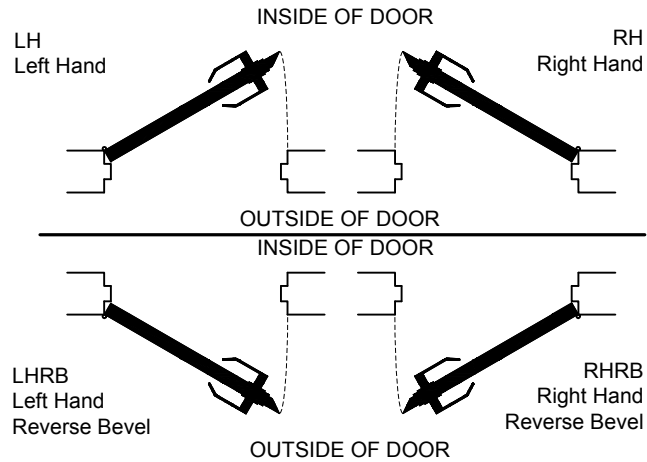
3. Mortise door edge according to measurements on installation template and drill proper holes for trim.
4. Recess for face plate, the dimension is:
L 8-1/32" x W 1-5/16" x D 7/32".



Any suggestions or comments to this instruction or product are welcome. Please contact us through our website or email engineer@sdsecurity.com

B. Install Lockcase

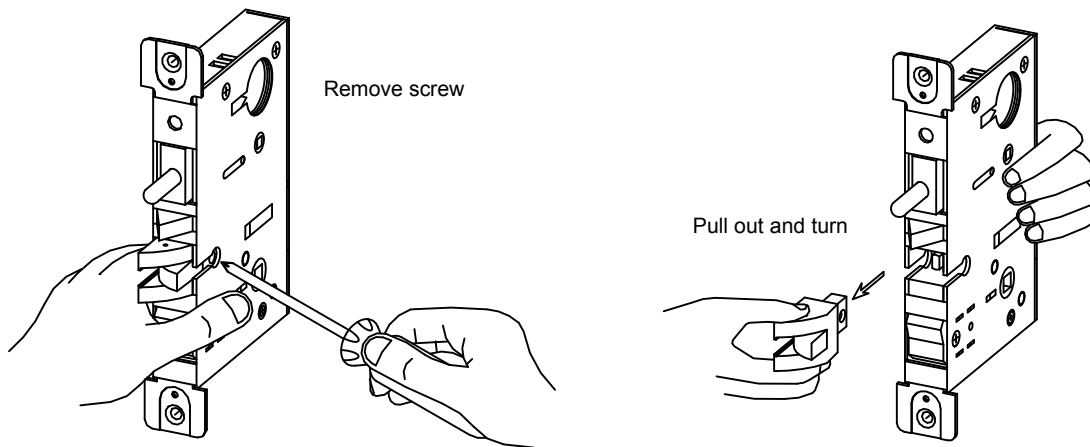
Make sure the lock hand matches the door hand, use the following diagram to determine the hand of door.



Instructions for changing lock hand:

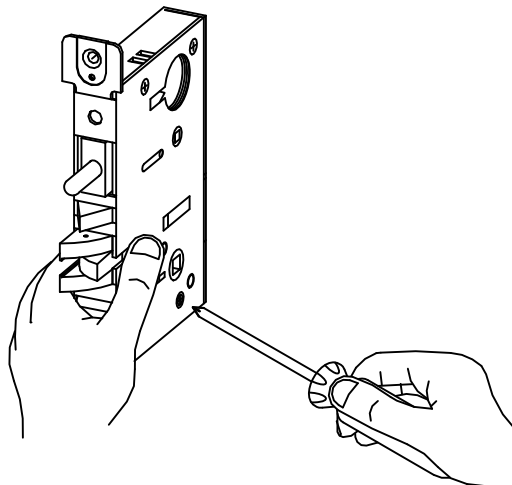
1. Change latchbolt handing

If the hand of the latchbolt doesn't match the door hand, remove the fixing screw and pull the latchbolt out from lock case. Turn the latchbolt 180° to change the handling. Position latchbolt back, into case and fasten it.



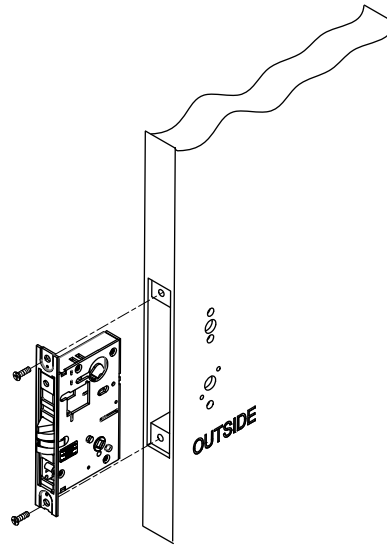
2. Change hand of lock

For RH and RHRB, the catch screw will be on the lock case side. For LH and LHRB, the catch screw will be on the lock cover side.



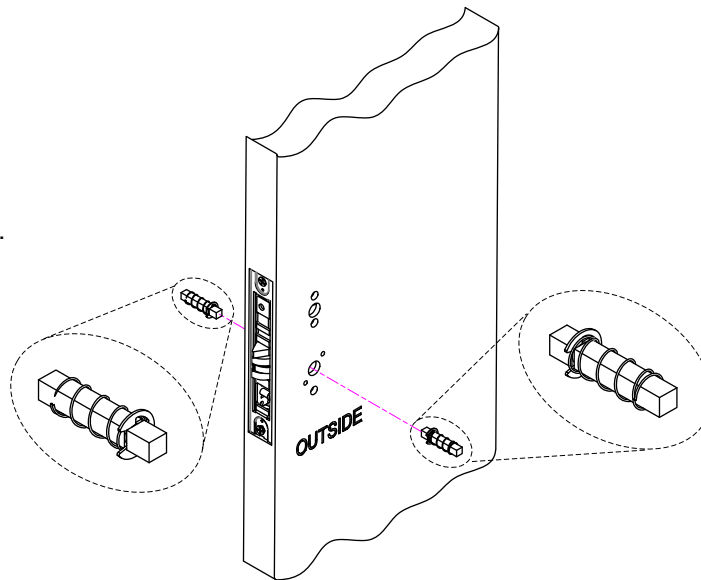
B. Install Lockcase (Continued)

3. Connect wires as shown on the lock cover diagram.
4. Insert lockcase into mortise cut-out and fasten screws to door.



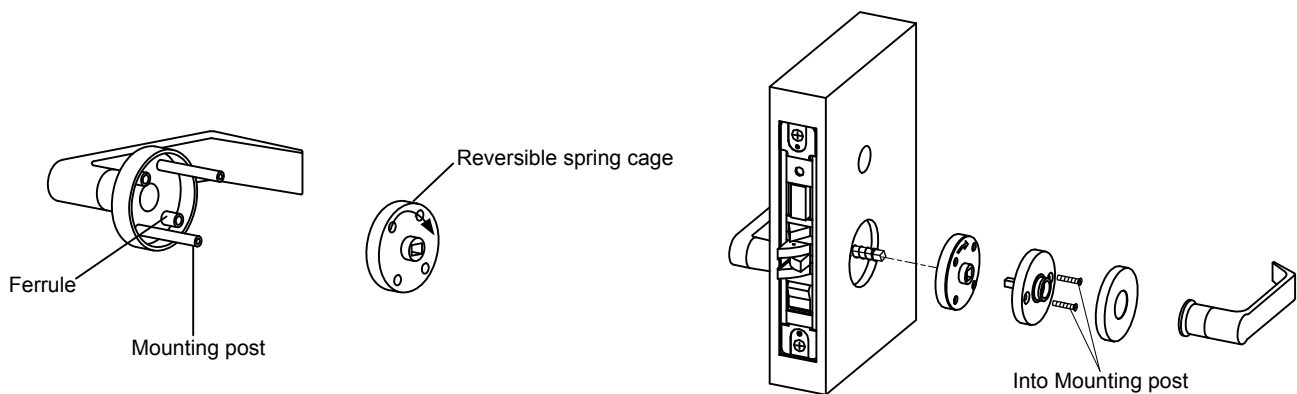
C. Install Spindles

1. Insert spindles as shown.



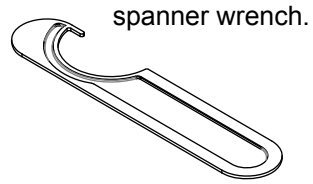
D. Install Lever trim

1. Place the reversible spring cage onto the ferrules with arrow pointing in direction of lever rotation.
2. Install outside trim with mounting posts through door and position lever onto the spindle.
3. Install spring cage onto the spindle with the arrow pointing in the direction of inside lever rotation.
4. Install inside mounting plate onto spindle. Tighten with provided screw.
5. Cap inside rose over mounting plate.

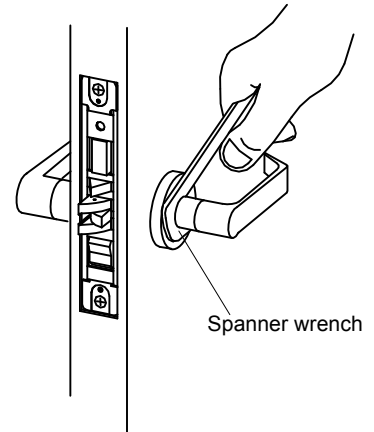


D. Install Lever trim (Continued)

6. Screw inside lever into position and tighten lever collar with supplied spanner wrench.



spanner wrench.



Spanner wrench

E. Install Cylinder and Armor Face Plate

1. Screw cylinder into threaded hole of lock case.
2. Tighten the setting screw against cylinder(s) by turning clockwise as shown.
3. Install face plate onto lock case front and fasten with supplied screws.

